



UNITED STATES PATENT AND TRADEMARK OFFICE

UNITED STATES DEPARTMENT OF COMMERCE
United States Patent and Trademark Office
Address: COMMISSIONER FOR PATENTS
P.O. Box 1450
Alexandria, Virginia 22313-1450
www.uspto.gov

APPLICATION NO.	U.S.PATENT NO.	ISSUE DATE	FIRST NAMED INVENTOR
35/501,395	D,800,057	10/17/2017	Manfred BRINKMANN

World Intellectual Property Organization
34, chemin des Colombettes, P.O. Box 18
1211 Geneva 20, Switzerland

DATE: 10/17/2017

STATEMENT OF GRANT OF PROTECTION

(Rule 18bis of the Common Regulations under the Hague Agreement)

The above-identified U.S. patent issued from an international design application. The international registration number corresponding to the international design application is:

DM/091942

The International Bureau is hereby notified that upon issuance of the above-referenced U.S. patent protection is granted in the United States to those industrial design or designs that are the subject of the international registration, as received from the International Bureau or, where applicable, as amended before the Office, and covered by the patent. A copy of the above-identified U.S. patent is communicated with and forms part of this statement.



US00D800057S

(12) **United States Design Patent** (10) **Patent No.:** **US D800,057 S**
Brinkmann et al. (45) **Date of Patent:** **** Oct. 17, 2017**

(54) **SOLAR PANEL MOUNTING** D638,554 S * 5/2011 Bub F24J 2/5239
D25/124

(71) Applicant: **HAFENBAHN GMBH & CO. KG,** 8,713,881 B2 * 5/2014 DuPont F24J 2/5203
Rheine (DE) 52/173.3

(72) Inventors: **Manfred Brinkmann,** Rheine (DE); 8,875,453 B2 * 11/2014 Kanczuzewski F16M 13/02
Peer Haase, Rheine (DE) 9,027,248 B2 * 5/2015 Flaherty H01L 31/0521
29/890.03

(**) Term: **15 Years** 9,032,593 B2 * 5/2015 Rayos F16B 17/00
224/321

(21) Appl. No.: **35/501,395** D732,698 S * 6/2015 Meng D25/61
9,087,947 B2 * 7/2015 Kanczuzewski F16M 13/02

(22) Filed: **Jul. 18, 2016** 9,413,285 B2 * 8/2016 Wildes H02S 20/00
9,571,031 B2 * 2/2017 Cavieres F16B 2/241
2014/0003861 A1 * 1/2014 Cheung F24J 2/5256
403/291

(80) **Hague Agreement Data** 2014/0008312 A1 * 1/2014 Durney F24J 2/5254
211/26

Int. Filing Date: **Jul. 18, 2016**
Int. Reg. No.: **DM/091942**
Int. Reg. Date: **Jul. 18, 2016**
Int. Reg. Pub. Date: **Aug. 12, 2016**

* cited by examiner

Primary Examiner — Michael A Pratt

(51) **LOC (10) Cl.** **13-02**

(52) **U.S. Cl.** **D13/102**

(58) **Field of Classification Search**

USPC D25/124; D13/102; D8/349

CPC F24J 2/5205; F24J 2/5237; F24J 2/5256;

F16B 2001/0064; F16B 1/00; H01L

31/042; H02S 20/24; H02S 30/10; H02S

30/20

See application file for complete search history.

(56) **References Cited**

U.S. PATENT DOCUMENTS

6,584,737 B1 * 7/2003 Bradley, Jr. F24J 2/5247

248/148

7,694,466 B2 * 4/2010 Miyamoto F24J 2/5207

126/623

(57) **CLAIM**

The ornamental design for a solar panel mounting, as shown and described.

DESCRIPTION

1. Solar panel mounting

1.1 : Perspective

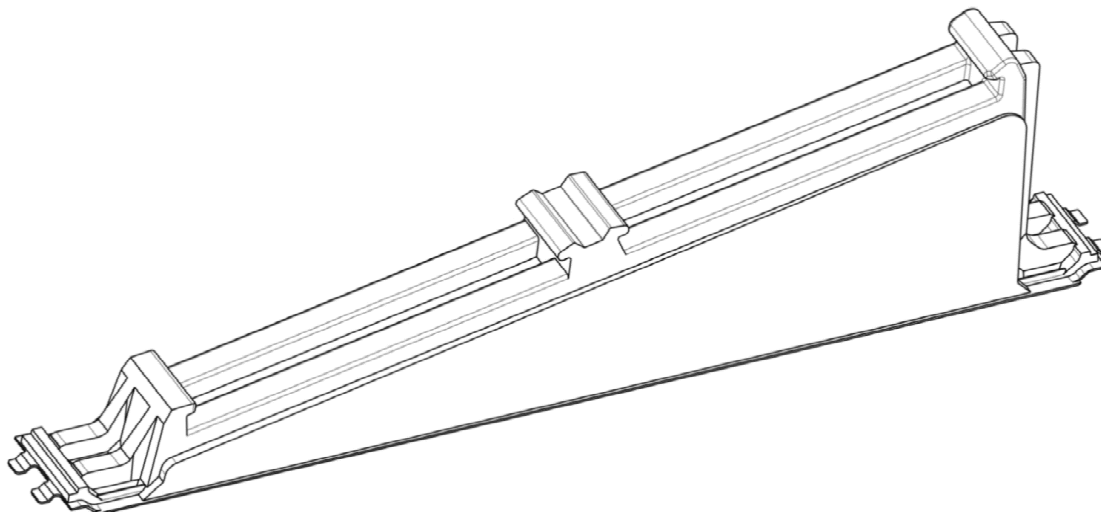
1.2 : Right

1.3 : Top

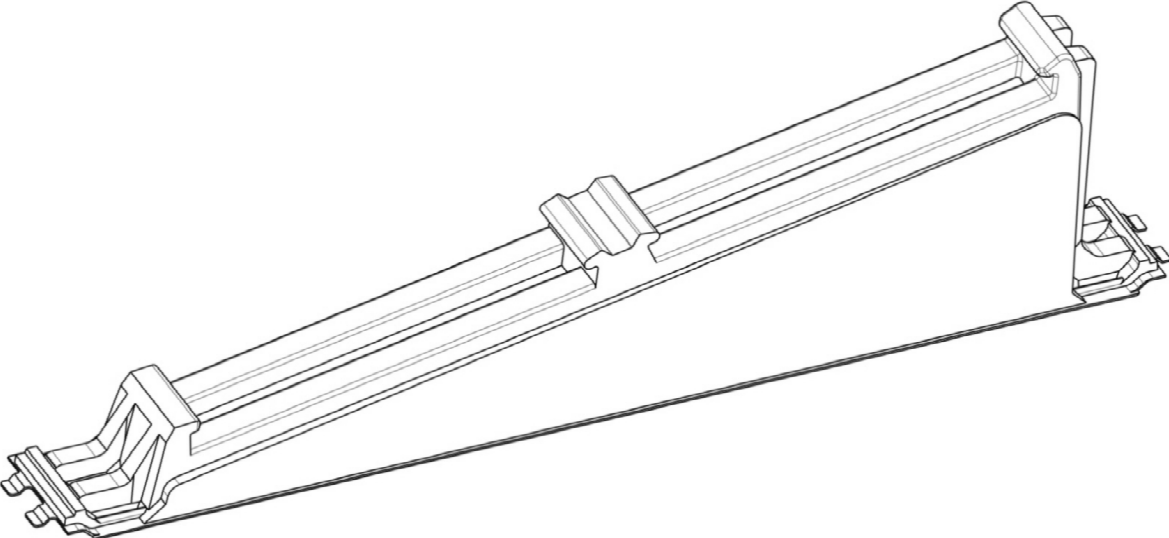
1.4 : Back

1.5 : Front

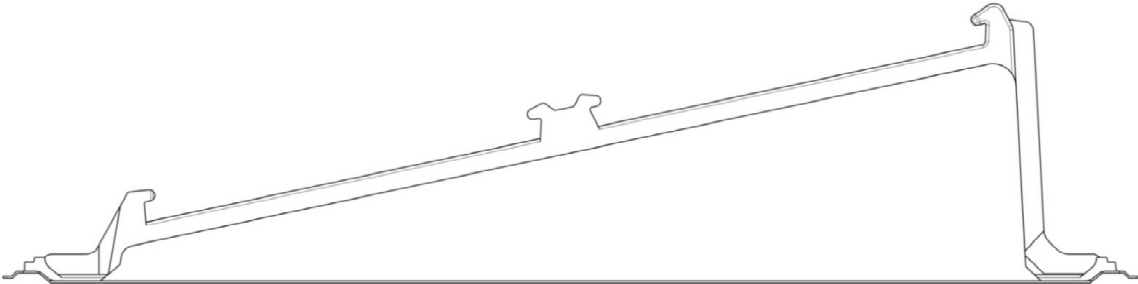
1 Claim, 5 Drawing Sheets



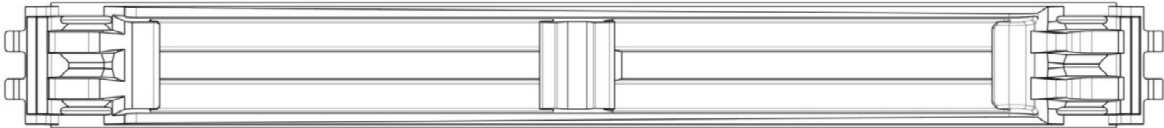
1.1



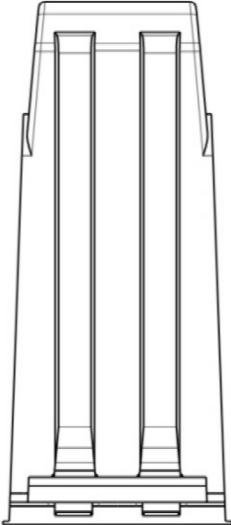
1.2



1.3



1.4



1.5

