



# UNITED STATES PATENT AND TRADEMARK OFFICE

UNITED STATES DEPARTMENT OF COMMERCE  
United States Patent and Trademark Office  
Address: COMMISSIONER FOR PATENTS  
P.O. Box 1450  
Alexandria, Virginia 22313-1450  
www.uspto.gov

INTERNATIONAL REGISTRATION NO.	APPLICATION NO.	FILING DATE	FIRST NAMED INVENTOR	ATTORNEY DOCKET NO.	CONFIRMATION NO.
DM/225681	35/515,928		Viktor Haupt	null	2485

World Intellectual Property Organization  
34, chemin des Colombettes, P.O. Box 18  
1211 Geneva 20, Switzerland

DATE MAILED : 2023-09-01

## NOTIFICATION OF REFUSAL

(Rule 18 of the Common Regulations under the Hague Agreement/ 37 CFR 1.1063)

Applicant must file any reply to this communication directly with the United States Patent and Trademark Office. Applicant may **NOT** file such reply through the International Bureau.

This refusal relates to all the industrial designs that are the subject of the international registration

**Office Action Summary**

**Application No.**

35/515,928

**Applicant(s)**

Haupt, Viktor

**Examiner**

NATHAN M JOHNSTON

**Art Unit**

2919

**AIA (FITF) Status**

Yes

-- The MAILING DATE of this communication appears on the cover sheet with the correspondence address --

**Period for Reply**

A SHORTENED STATUTORY PERIOD FOR REPLY IS SET TO EXPIRE 3 MONTHS FROM THE MAILING DATE OF THIS COMMUNICATION.

- Extensions of time may be available under the provisions of 37 CFR 1.136(a). In no event, however, may a reply be timely filed after SIX (6) MONTHS from the mailing date of this communication.
- If NO period for reply is specified above, the maximum statutory period will apply and will expire SIX (6) MONTHS from the mailing date of this communication.
- Failure to reply within the set or extended period for reply will, by statute, cause the application to become ABANDONED (35 U.S.C. § 133). Any reply received by the Office later than three months after the mailing date of this communication, even if timely filed, may reduce any earned patent term adjustment. See 37 CFR 1.704(b).

**Status**

- 1)  Responsive to communication(s) filed on \_\_\_\_\_.  
 A declaration(s)/affidavit(s) under **37 CFR 1.130(b)** was/were filed on \_\_\_\_\_.
- 2a)  This action is **FINAL**.
- 2b)  This action is non-final.
- 3)  An election was made by the applicant in response to a restriction requirement set forth during the interview on \_\_\_\_\_; the restriction requirement and election have been incorporated into this action.
- 4)  Since this application is in condition for allowance except for formal matters, prosecution as to the merits is closed in accordance with the practice under *Ex parte Quayle*, 1935 C.D. 11, 453 O.G. 213.

**Disposition of Claims\***

- 5)  Claim(s) 1 is/are pending in the application.  
5a) Of the above claim(s) \_\_\_\_\_ is/are withdrawn from consideration.
- 6)  Claim(s) \_\_\_\_\_ is/are allowed.
- 7)  Claim(s) 1 is/are rejected.
- 8)  Claim(s) \_\_\_\_\_ is/are objected to.
- 9)  Claim(s) \_\_\_\_\_ are subject to restriction and/or election requirement

\* If any claims have been determined allowable, you may be eligible to benefit from the **Patent Prosecution Highway** program at a participating intellectual property office for the corresponding application. For more information, please see [http://www.uspto.gov/patents/init\\_events/pph/index.jsp](http://www.uspto.gov/patents/init_events/pph/index.jsp) or send an inquiry to [PPHfeedback@uspto.gov](mailto:PPHfeedback@uspto.gov).

**Application Papers**

- 10)  The specification is objected to by the Examiner.
- 11)  The drawing(s) filed on \_\_\_\_\_ is/are: a)  accepted or b)  objected to by the Examiner.  
Applicant may not request that any objection to the drawing(s) be held in abeyance. See 37 CFR 1.85(a).  
Replacement drawing sheet(s) including the correction is required if the drawing(s) is objected to. See 37 CFR 1.121(d).

**Priority under 35 U.S.C. § 119**

- 12)  Acknowledgment is made of a claim for foreign priority under 35 U.S.C. § 119(a)-(d) or (f).

**Certified copies:**

- a)  All      b)  Some\*\*      c)  None of the:
- 1.  Certified copies of the priority documents have been received.
- 2.  Certified copies of the priority documents have been received in Application No. \_\_\_\_\_.
- 3.  Copies of the certified copies of the priority documents have been received in this National Stage application from the International Bureau (PCT Rule 17.2(a)).

\*\* See the attached detailed Office action for a list of the certified copies not received.

**Attachment(s)**

- 1)  Notice of References Cited (PTO-892)
- 2)  Information Disclosure Statement(s) (PTO/SB/08a and/or PTO/SB/08b)  
Paper No(s)/Mail Date \_\_\_\_\_.
- 3)  Interview Summary (PTO-413)  
Paper No(s)/Mail Date \_\_\_\_\_.
- 4)  Other: \_\_\_\_\_.

## DETAILED ACTION

### *Notice of Pre-AIA or AIA Status*

The present application, filed on or after March 16, 2013, is being examined under the first inventor to file provisions of the AIA.

### **Restriction not Required**

This application discloses the following embodiments:

Embodiment 1 - Reproductions 1.1-1.8

Embodiment 2 - Reproductions 2.1-2.8

Multiple embodiments of a single inventive concept may be included in the same design application only if they are patentably indistinct. See *In re Rubinfeld*, 270 F.2d 391, 123 USPQ 210 (CCPA 1959). Embodiments that are patentably distinct from one another do not constitute a single inventive concept and thus may not be included in the same design application. See *In re Platner*, 155 USPQ 222 (Comm'r Pat. 1967).

The above identified embodiments are considered by the examiner to present overall appearances that are basically the same. Furthermore, the difference between the appearances of the embodiments, namely the removal of the cap in Embodiment 2 is considered minor and patentably indistinct, or are shown to be obvious in view of analogous prior art cited.

### **Objections to the Title**

The title is objectionable. The title of the design must designate the particular article so that the formal claim will be directed to the ornamental design for the article.

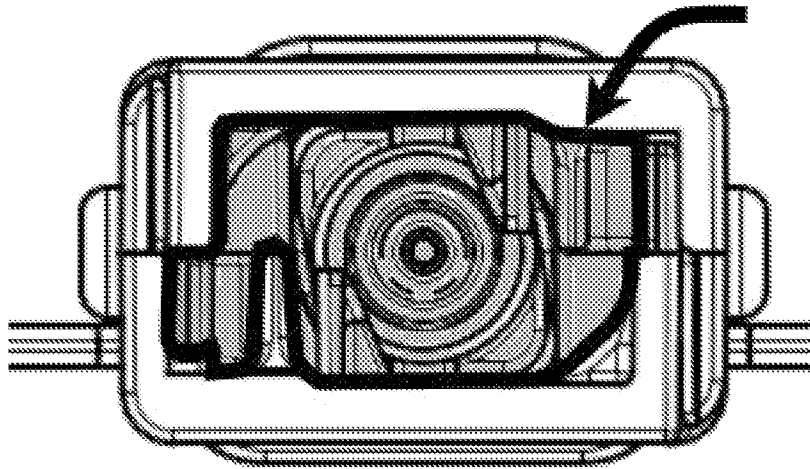
See 37 CFR 1.153 and 35 U.S.C. 171. Therefore, the title should be amended throughout the application, original oath or declaration accepted to read –Medical Needle device-.

**35 U.S.C. 112, (a) and (b)**

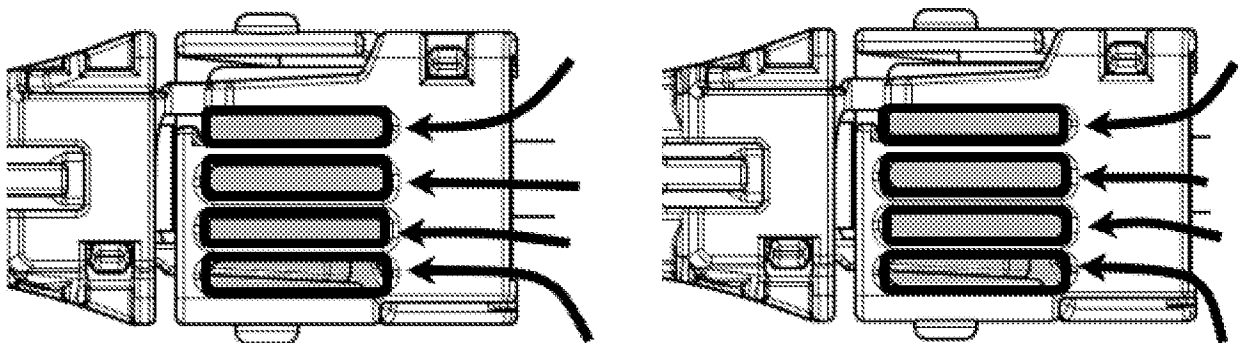
The claim is rejected under 35 U.S.C. 112(a) and (b) or pre-AIA 35 U.S.C. 112, first and second paragraphs, as the claimed invention is not described in such full, clear, concise and exact terms as to enable any person skilled in the art to make and use the same, and fails to particularly point out and distinctly claim the subject matter which applicant regards as the invention.

The claim is indefinite and nonenabling because the shape and appearance of the claimed design cannot be understood due to the following inconsistencies and nonenabling features, as outlined below:

- Due to the available views and lack of shading the form and position of the selected features (highlighted in gray) inside the medical instrument as seen through the opening in reproductions 1.7, and 2.8 are uncertain and could be considered by the examiner to have many variations of depth and form (concave, convex, flat, angled, curved). Applicant may exclude from the claim all the areas or portions of the design which are considered indefinite and nonenabling in the rejection under 35 U.S.C. 112 by converting them to broken lines.

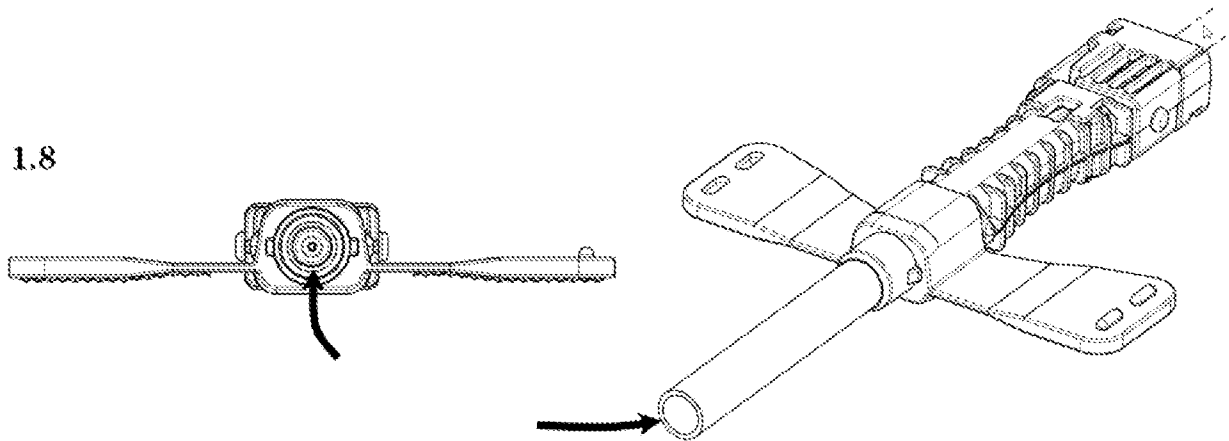


- Due to the available views and lack of shading the form and position of the select surfaces (highlighted in gray) inside the medical equipment as seen through the openings in reproductions 1.1-1.4 and 2.3-2.6 are uncertain and could be considered by the examiner to have many variations of depth and form (concave, convex, flat, angled, curved). Applicant may exclude from the claim all the areas or portions of the design which are considered indefinite and nonenabling in the rejection under 35 U.S.C. 112 by converting them to broken lines.



- The end of the medical equipment is inconsistent between reproductions 1.1 compared to 1.8. The applicant is reminded that ALL features/elements **MUST** be

consistently shown in the drawing disclosure in order to constitute a proper and full disclosure.



It is suggested that applicant submit revised drawings which show the configuration of the design with regards to the points outlined above, clearly and accurately, in order that the examiner may be in a position to determine if the claim may be clarified without the addition of new matter (35 U.S.C. 132, 37 CFR 1.121). However, applicant is advised that it may not be possible to redraw the features with uncertain depth and form indicated above without introducing new matter. Because these features are not shown in enough views to fully understand their shape and appearance, these portions of the claimed design are in fact subject to multiple interpretations, and one of ordinary skill in the art would not be able to reproduce the design without the use of conjecture. This renders these portions of the claim indefinite and non-enabled.

If the design cannot be fully enabled without introducing new matter because certain portions are indefinite, applicant may be able to exclude those portions of the design from the claim by converting those portions of the article to broken lines, so long

as the amendment meets the written description requirement of 35 USC 112(a). It must be apparent that applicant was in possession of the amended design at the time of original filing, or applicant must provide evidence of that possession.

Applicant is advised that surface shading must be removed from any subject matter that is placed in broken lines. Surface shading should not be used on unclaimed subject matter shown in broken lines, to avoid confusion about the scope of the claim (37 CFR 1.152).

A response is required in reply to the Office action to avoid abandonment of the application. If corrected drawings are submitted in response to this Office action, they must be in compliance with 37 CFR 1.121(d). Any amended replacement drawing sheet should include all of the figures appearing on the immediate prior version of the sheet, even if only one figure is being amended. The reproduction number of an amended drawing should not be labeled as amended. If a drawing is to be canceled, the appropriate reproduction must be removed from the replacement sheet, and where necessary, the remaining reproductions must be renumbered and appropriate changes made to the brief description of the several views of the drawings for consistency. Additional replacement sheets may be necessary to show the renumbering of the remaining figures. If all the figures on a drawing sheet are canceled, a replacement sheet is not required. A marked-up copy of the drawing sheet (labeled as "Annotated Sheet") including an annotation showing that all the figures on that drawing sheet have been canceled must be presented in the amendment or remarks section that explains the change to the drawings. Each drawing sheet submitted after the filing date of an

application must be labeled in the top margin as either "Replacement Sheet" or "New Sheet" pursuant to 37 CFR 1.121(d) . If the changes are not accepted by the examiner, the applicant will be notified and informed of any required corrective action in the next Office action.

The references cited, but not applied, are considered the most pertinent art related to the claimed design.

The claim stands rejected for the reasons set forth above.

### **Contact Information**

Any inquiry concerning this communication or earlier communications from the examiner should be directed to NATHAN M JOHNSTON whose telephone number is (571)270-0223. The examiner can normally be reached on Monday - Thursday and Alternating Friday, 10-3:30.

Examiner interviews are available via telephone, in-person, and video conferencing using a USPTO supplied web-based collaboration tool. To schedule an interview, applicant is encouraged to use the USPTO Automated Interview Request (AIR) at <http://www.uspto.gov/interviewpractice>.

If attempts to reach the examiner by telephone are unsuccessful, the examiner's supervisor, Holly Thurman can be reached on 571-272-8068. The fax phone number for the organization where this application or proceeding is assigned is 571-273-8300.

### ***Information Regarding the Status of an Application***

Information regarding the status of an application may be obtained from the Patent Application Information Retrieval (PAIR) system. Status information for



published applications may be obtained from either Private PAIR or Public PAIR.

Status information for unpublished applications is available through Private PAIR only.

For more information about the PAIR system, see

[http://www.uspto.gov/patents/process/status/private\\_pair/index.jsp](http://www.uspto.gov/patents/process/status/private_pair/index.jsp). Should you have

questions on access to the Private PAIR system, contact the Electronic Business

Center (EBC) at 866-217-9197 (toll-free). If you would like assistance from a USPTO

Customer Service Representative or access to the automated information system, call

800-786-9199 (IN USA OR CANADA) or 571-272-1000.

### ***Inventors Assistance Center***

The Inventors Assistance Center (IAC) provides patent information and services to the public. The IAC is staffed by former Supervisory Patent Examiners and experienced Primary Examiners who answer general questions concerning patent examining policy and procedure. Applicants should contact the IAC concerning payment of FEES, schedule of PRINTING of Patents, RECEIPTS, and any other administrative issues. IAC is available M-F 9:00 AM – 3:00 PM (ET) at 800-PTO-9199 (800-786-9199) or 703-308-HELP (703-308-4357) and for TTY 703-305-7785 for customer assistance

/NATHAN M JOHNSTON/  
Primary Examiner, Art Unit 2919

<b>Notice of References Cited</b>	Application/Control No. 35/515,928	Applicant(s)/Patent Under Reexamination Haupt, Viktor	
	Examiner NATHAN M JOHNSTON	Art Unit 2919	Page 1 of 3

**U.S. PATENT DOCUMENTS**

*		Document Number Country Code-Number-Kind Code	Date MM-YYYY	Name	CPC Classification	US Classification
*	A	US-D926978-S	08-2021	Stoklund; Ole		D24/147
*	B	US-D900308-S	10-2020	Burkholz; Jonathan Karl		D24/129
*	C	US-D893711-S	08-2020	Chheda; Harsh D.		D24/130
*	D	US-D880693-S	04-2020	Harding; Weston		D24/130
*	E	US-D870883-S	12-2019	Harding; Weston		D24/130
*	F	US-D837368-S	01-2019	Burkholz; Jonathan Karl	A61M25/0097	D24/129
*	G	US-D835262-S	12-2018	Burkholz; Jonathan Karl		D24/112
*	H	US-D819802-S	06-2018	Burkholz; Jonathan Karl		D24/129
*	I	US-D817482-S	05-2018	Howell; Julie C.	A61B5/150641	D24/112
*	J	US-D808013-S	01-2018	Chheda; Harsh D.		D24/130
*	K	US-D751691-S	03-2016	Shaw; Thomas J		D24/112
*	L	US-D749214-S	02-2016	Uenishi; Masayuki		D24/130
*	M	US-D732160-S	06-2015	Du; Tianhu		D24/112

**FOREIGN PATENT DOCUMENTS**

*		Document Number Country Code-Number-Kind Code	Date MM-YYYY	Country	Name	CPC Classification
	N					
	O					
	P					
	Q					
	R					
	S					
	T					

**NON-PATENT DOCUMENTS**

*		Include as applicable: Author, Title Date, Publisher, Edition or Volume, Pertinent Pages)
	U	Google image search, Butterfly needle, 8-29-23, <a href="https://www.google.com/search?sca_esv=561082500&amp;rlz=1C1GCEB_enUS800US800&amp;q=butterfly+needle&amp;tbm=isch&amp;source=lnms&amp;sa=X&amp;ved=2ahUKewjtgvdE14KBaxUyBzQIHxiECMMQ0pQJegQIDxAB&amp;biw=1745&amp;bih=955&amp;dpr=1.1">https://www.google.com/search?sca_esv=561082500&amp;rlz=1C1GCEB_enUS800US800&amp;q=butterfly+needle&amp;tbm=isch&amp;source=lnms&amp;sa=X&amp;ved=2ahUKewjtgvdE14KBaxUyBzQIHxiECMMQ0pQJegQIDxAB&amp;biw=1745&amp;bih=955&amp;dpr=1.1</a> (Year: 2023)
	V	
	W	
	X	

\*A copy of this reference is not being furnished with this Office action. (See MPEP § 707.05(a).)  
Dates in MM-YYYY format are publication dates. Classifications may be US or foreign.

**Notice of References Cited**

Application/Control No. 35/515,928	Applicant(s)/Patent Under Reexamination Haupt, Viktor	
Examiner NATHAN M JOHNSTON	Art Unit 2919	Page 2 of 3

**U.S. PATENT DOCUMENTS**

*		Document Number Country Code-Number-Kind Code	Date MM-YYYY	Name	CPC Classification	US Classification
*	A	US-D731641-S	06-2015	Du; Tianhu		D24/112
*	B	US-D713957-S	09-2014	Woehr; Kevin		D24/112
*	C	US-D686316-S	07-2013	Baid; Rishi		D24/112
*	D	US-D678513-S	03-2013	Baid; Rishi		D24/112
*	E	US-D572819-S	07-2008	Puhasmagi; Arne		D24/130
*	F	US-D492031-S	06-2004	Cindrich; Christopher Noel		D24/130
*	G	US-D475783-S	06-2003	Swenson; Kirk D.		D24/112
*	H	US-D471979-S	03-2003	Wilkinson; Bradley M.		D24/112
*	I	US-D469529-S	01-2003	Niermann; Volker		D24/112
*	J	US-D465571-S	11-2002	Niermann; Volker		D24/130
*	K	US-D462765-S	09-2002	Niermann; Volker		D24/112
*	L	US-D459802-S	07-2002	Cindrich; Christopher N.		D24/130
*	M	US-D452312-S	12-2001	Crawford; Jamieson William Maclean		D24/112

**FOREIGN PATENT DOCUMENTS**

*		Document Number Country Code-Number-Kind Code	Date MM-YYYY	Country	Name	CPC Classification
	N					
	O					
	P					
	Q					
	R					
	S					
	T					

**NON-PATENT DOCUMENTS**

*		Include as applicable: Author, Title Date, Publisher, Edition or Volume, Pertinent Pages)
	U	
	V	
	W	
	X	

\*A copy of this reference is not being furnished with this Office action. (See MPEP § 707.05(a).)  
Dates in MM-YYYY format are publication dates. Classifications may be US or foreign.

**Notice of References Cited**

Application/Control No. 35/515,928	Applicant(s)/Patent Under Reexamination Haupt, Viktor	
Examiner NATHAN M JOHNSTON	Art Unit 2919	Page 3 of 3

**U.S. PATENT DOCUMENTS**

*		Document Number Country Code-Number-Kind Code	Date MM-YYYY	Name	CPC Classification	US Classification
*	A	US-D451999-S	12-2001	Crawford; Jamieson William Maclean		D24/112
*	B	US-D452000-S	12-2001	Crawford; Jamieson William Maclean		D24/112
*	C	US-D452002-S	12-2001	Crawford; Jamieson William Maclean		D24/112
*	D	US-D451601-S	12-2001	Crawford; Jamieson William Maclean		D24/112
*	E	US-D433503-S	11-2000	Powers; Kelly B.		D24/112
*	F	US-D408530-S	04-1999	Eliassen; Kenneth A.		D24/112
*	G	US-D342995-S	01-1994	Simmons; James W.		D24/112
*	H	US-D282008-S	12-1985	McFarlane; Richard H.		D24/113
*	I	US-4445893-A	05-1984	Bodicky; Raymond O.	A61M25/0606	D24/112
*	J	US-4326519-A	04-1982	D'Alo; Herbert F.	A61M25/0631	604/177
*	K	US-D258387-S	02-1981	De Frank; Michael P.		604/177
*	L	US-D257885-S	01-1981	Kulle; Lee K.		D24/112
*	M	US-D223043-S	02-1972	Raines; Kenneth		D24/112

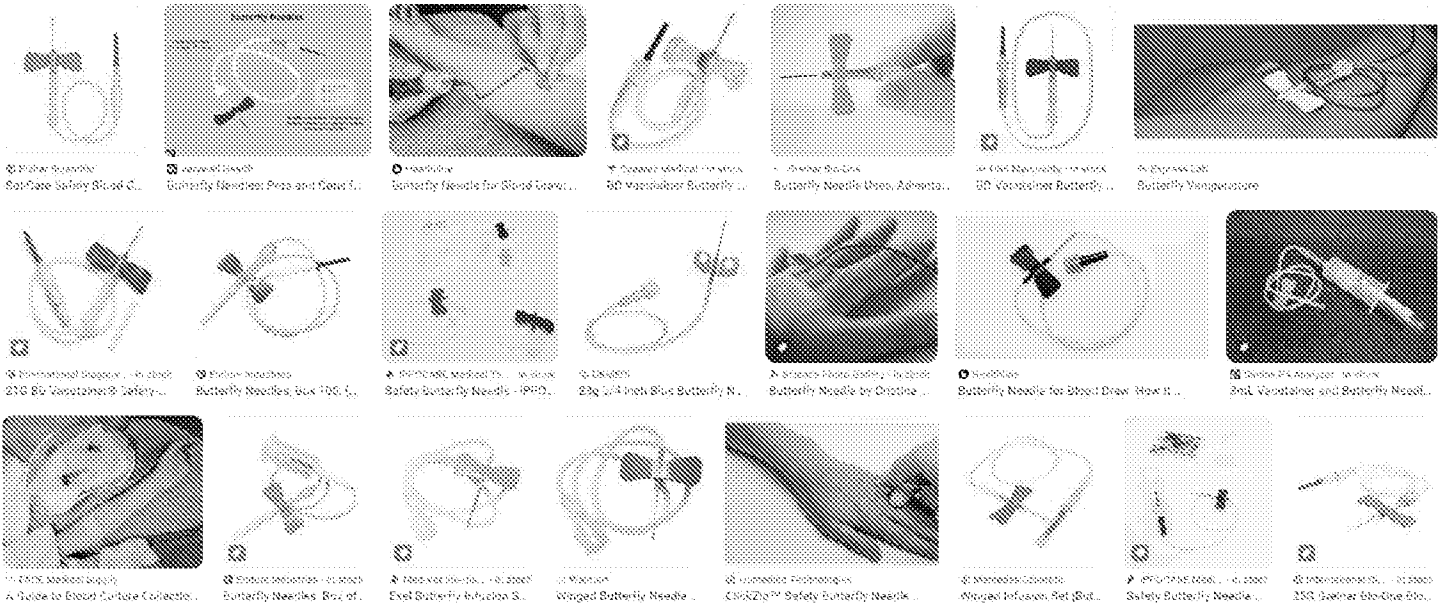
**FOREIGN PATENT DOCUMENTS**

*		Document Number Country Code-Number-Kind Code	Date MM-YYYY	Country	Name	CPC Classification
	N					
	O					
	P					
	Q					
	R					
	S					
	T					

**NON-PATENT DOCUMENTS**

*		Include as applicable: Author, Title Date, Publisher, Edition or Volume, Pertinent Pages)
	U	
	V	
	W	
	X	

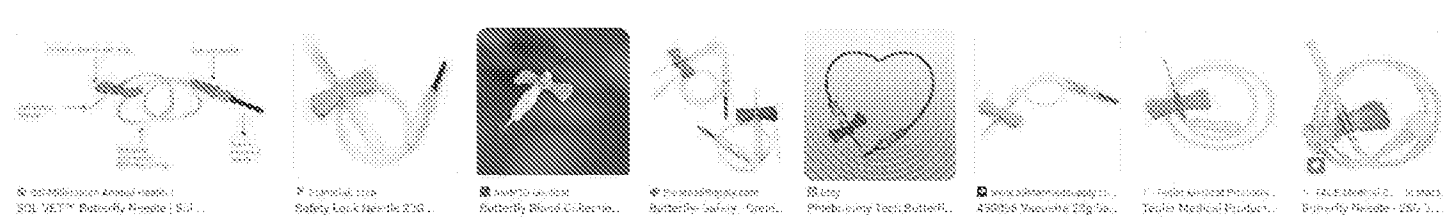
\*A copy of this reference is not being furnished with this Office action. (See MPEP § 707.05(a).)  
Dates in MM-YYYY format are publication dates. Classifications may be US or foreign.



<p>Butterfly Needle Safety Blood C... \$108.00 Medline</p>	<p>General Health Butterfly Needles Prea and Gao T... \$26.57 North Adaptive T... Free Shipping</p>	<p>Butterfly Needle for Blood Draw... \$495.24 Unilab/Andover.com</p>	<p>Butterfly Needle for Blood Draw... \$20.20 New2.com Free shipping</p>	<p>Butterfly Needle for Blood Draw... \$24.89 Genex City</p>	<p>Butterfly Needle for Blood Draw... \$202.00 Fluor Surgical</p>	<p>Butterfly Needle for Blood Draw... \$155.95 Boeing/Fin.com Free Shipping</p>	<p>Butterfly Needle for Blood Draw... \$127.95 Medline/Fin.com</p>	<p>Butterfly Needle for Blood Draw... \$93.20 Medline/Fin.com</p>	<p>Butterfly Needle for Blood Draw... \$100.50 New2.com Free Shipping</p>
--	---	---	--	--	---	---	--	---	---

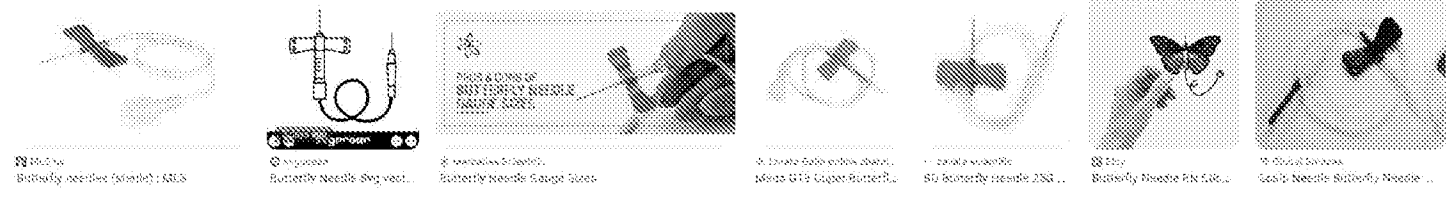
**Related searches**


- butterfly needle size chart
- butterfly needle vs straight needle
- butterfly needle in hand



**Related searches**

- butterfly needle parts
- butterfly needle drawing
- butterfly needle for blood



<b>Search Notes</b> 	<b>Application/Control No.</b> 35/515,928	<b>Applicant(s)/Patent Under Reexamination</b> Haupt, Viktor
	<b>Examiner</b> NATHAN M JOHNSTON	<b>Art Unit</b> 2919


CPC - Searched*		
Symbol	Date	Examiner
A61B5/1411, A61M1/3693, A61B5/14532, A61M25/00, A61M39/00	08/29/2023	NJ
A61M27/00, A61M25/0043, A61M25/0067, A61M25/0097, A61F2/958	08/29/2023	NJ

CPC Combination Sets - Searched*		
Symbol	Date	Examiner

US Classification - Searched*			
Class	Subclass	Date	Examiner
D24	112-114,133,186,104,127-131	08/29/2023	NJ
606	181,185	08/29/2023	NJ
604	264,272,115,232,187,158,164.08,192,263,163,181,184,198,227	08/29/2023	NJ
600	101,139,143	08/29/2023	NJ
128	200.24,207.14,207.15	08/29/2023	NJ

\* See search history printout included with this form or the SEARCH NOTES box below to determine the scope of the search.

--	--

<b><i>Search Notes</i></b> 	<b>Application/Control No.</b> 35/515,928	<b>Applicant(s)/Patent Under Reexamination</b> Haupt, Viktor
	<b>Examiner</b> NATHAN M JOHNSTON	<b>Art Unit</b> 2919

<b>Search Notes</b>		
<b>Search Notes</b>	<b>Date</b>	<b>Examiner</b>
Inventor search	08/29/2023	NJ
Assignee search	08/29/2023	NJ
Assignee website search	08/29/2023	NJ
Google image search (hand-operated medical instrument)	08/29/2023	NJ
("HAND-OPERATED MEDICAL INSTRUMENT" OR "HAND-OPERATED MEDICAL DEVICE") term search	08/29/2023	NJ
("HAND-OPERATED MEDICAL INSTRUMENT" OR "HAND-OPERATED MEDICAL DEVICE") foreign database (JPO & EPO) term search	08/29/2023	NJ

<b>Interference Search</b>			
<b>US Class/CPC Symbol</b>	<b>US Subclass/CPC Group</b>	<b>Date</b>	<b>Examiner</b>

--	--

## PE2E SEARCH - Search History (Prior Art)

Ref #	Hits	Search Query	DBs	Default Operator	Plurals	British Equivalents	Time Stamp
L1	8832	D24/112-114,133,186,104,127-131.CCLS.	(US-PGPUB; USPAT; USOCR)	OR	ON	ON	2023/08/29 10:17 AM
L2	2667	606/181,185.CCLS.	(US-PGPUB; USPAT; USOCR)	OR	ON	ON	2023/08/29 10:18 AM
L4	12933	604/264,272,115,232,187,158,164.08,192,263,163,181,184,198,227.CCLS.	(US-PGPUB; USPAT; USOCR)	OR	ON	ON	2023/08/29 10:20 AM
L5	1431	600/101,139,143.CCLS.	(US-PGPUB; USPAT; USOCR)	OR	ON	ON	2023/08/29 10:21 AM
L6	4428	128/200.24,207.14,207.15.CCLS.	(US-PGPUB; USPAT; USOCR)	OR	ON	ON	2023/08/29 10:22 AM
L12	40157	(A61B5/1411.CPC. OR A61M1/3693.CPC. OR A61B5/14532.CPC. OR A61M25/00.CPC. OR A61M39/00.CPC. OR A61M27/00.CPC. OR A61M25/0043.CPC. OR A61M25/0067.CPC. OR A61M25/0097.CPC. OR A61F2/958.CPC.)	(US-PGPUB; USPAT; USOCR)	OR	ON	ON	2023/08/29 10:33 AM
L13	8503	L1 NOT "OCR SCANNED DOCUMENT".TI.	(US-PGPUB; USPAT; USOCR)	OR	ON	ON	2023/08/29 10:43 AM
L15	547	L12 AND ("catheter assembly" OR "needle assembly" OR winged).ti.	(US-PGPUB; USPAT; USOCR)	OR	ON	ON	2023/08/29 12:29 PM
L16	175	L10 AND ("catheter assembly" OR "needle assembly" OR winged).ti.	(US-PGPUB; USPAT; USOCR)	OR	ON	ON	2023/08/29 12:30 PM
L17	719	(L15 L16 ) NOT "OCR SCANNED DOCUMENT".TI.	(US-PGPUB; USPAT; USOCR)	OR	ON	ON	2023/08/29 12:32 PM
L18	29	("HAND-OPERATED MEDICAL INSTRUMENT" OR "HAND-OPERATED MEDICAL DEVICE")	(US-PGPUB; USPAT; USOCR)	OR	ON	ON	2023/08/29 02:54 PM
L19	29	("HAND-OPERATED MEDICAL INSTRUMENT" OR "HAND-OPERATED MEDICAL DEVICE")	(US-PGPUB; USPAT; USOCR; EPO; JPO)	OR	ON	ON	2023/08/29 02:56 PM
L20	0	((("Haupt") near3 ("Viktor"))).INV.	(US-PGPUB; USPAT; USOCR)	OR	ON	ON	2023/08/29 02:57 PM



L21	0	"SARSTEDT AG & CO. KG".AS.	(US-PGPUB; USPAT; USOCR)	OR	ON	ON	2023/08/29 02:57 PM
-----	---	-------------------------------	-----------------------------	----	----	----	------------------------

### PE2E SEARCH - Search History (Interference)

There are no Interference searches to show.

# Bibliographic Data

Application No: 35/515,928

Foreign Priority claimed:  Yes  No

35 USC 119 (a-d) conditions met:  Yes  No  Met After Allowance

Verified and Acknowledged: /NATHAN M JOHNSTON/

NMJ

Examiner's Signature

Initials

Title: Handoperated medical instrument

---

FILING or 371(c) DATE	CLASS	GROUP ART UNIT	ATTORNEY DOCKET NO.
11/25/2022	D24	2919	
<b>RULE</b>			

## APPLICANTS

SARSTEDT AG & Co. KG, Nümbrecht, GERMANY

## INVENTORS

Viktor Haupt, Nümbrecht, GERMANY

## CONTINUING DATA

## FOREIGN APPLICATIONS

## IF REQUIRED, FOREIGN LICENSE GRANTED\*\*

01/17/2023

## STATE OR COUNTRY

GERMANY

## ADDRESS

BAUER WAGNER PELLENGAHR SROKA Patent-  
& Rechtsanwalts PartG mbB

Grüner Weg 1

Aachen, 52070

GERMANY

## FILING FEE RECEIVED

\$1,061.05

## WIPO Int'l Reg. Allowed Design#s: