



**HAGUE AGREEMENT CONCERNING
THE INTERNATIONAL REGISTRATION OF INDUSTRIAL DESIGNS**

- STATEMENT OF GRANT OF PROTECTION FOLLOWING A REFUSAL -

Rule 18bis(2) of the Common Regulations

I. Office sending the statement:

Japan Patent Office (JPO)
3-4-3 Kasumigaseki, Chiyoda-ku Tokyo 100-8915, Japan

II. International Registration Number: DM/205762
Design Number: 5

III. Date on which the international registration produced the effect as a grant of protection (yyyy/mm/dd):

2021/08/02

IV. Date of the statement (yyyy/mm/dd):

2021/08/03

V. Information concerning the industrial design as accepted or, where applicable, amended and accepted:

(54) Indication of product:

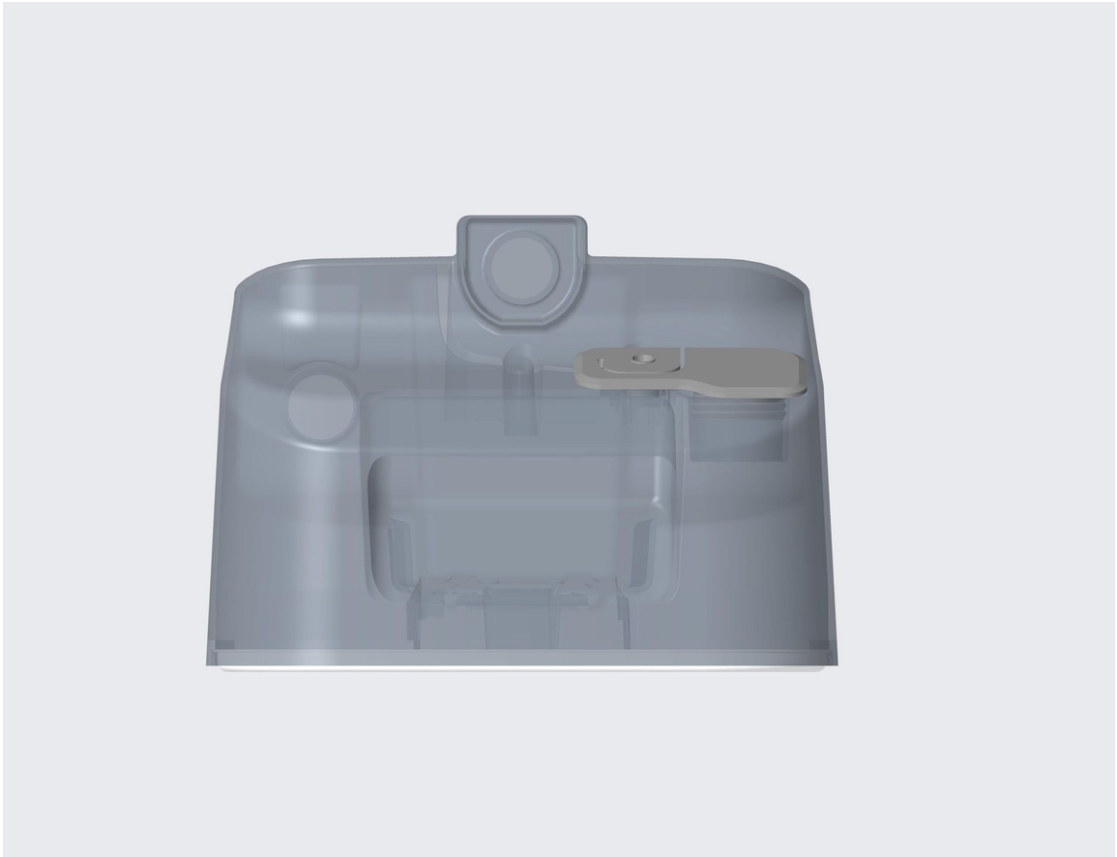
Part of artificial lung ventilation apparatus

(57)(55) Description, Legends to indicate a specific view of the product:

The ornamental design for an artificial lung ventilation apparatus as shown and described; View 5.8 is a reference view showing the usage state.

The present article is a water tank, being a functional part of an artificial lung ventilation apparatus. The water tank is removable from the artificial lung ventilation apparatus for easier filling of the tank with water. The present article is the water tank when removed from the artificial lung ventilation apparatus. When ready for operation, the water tank is filled with water and connected to the artificial lung ventilation apparatus. The function of the present article is enabling the humidification of respiratory gas during the process of artificial respiration of patients.

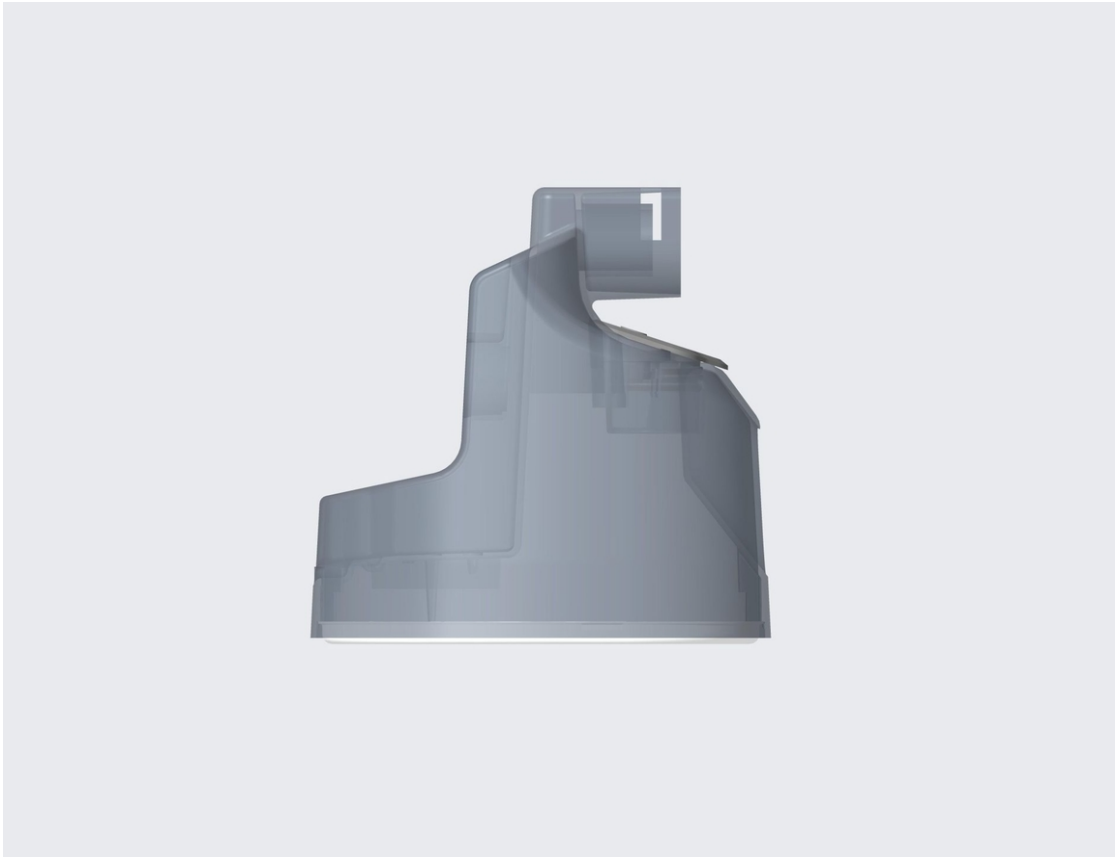
5. 1



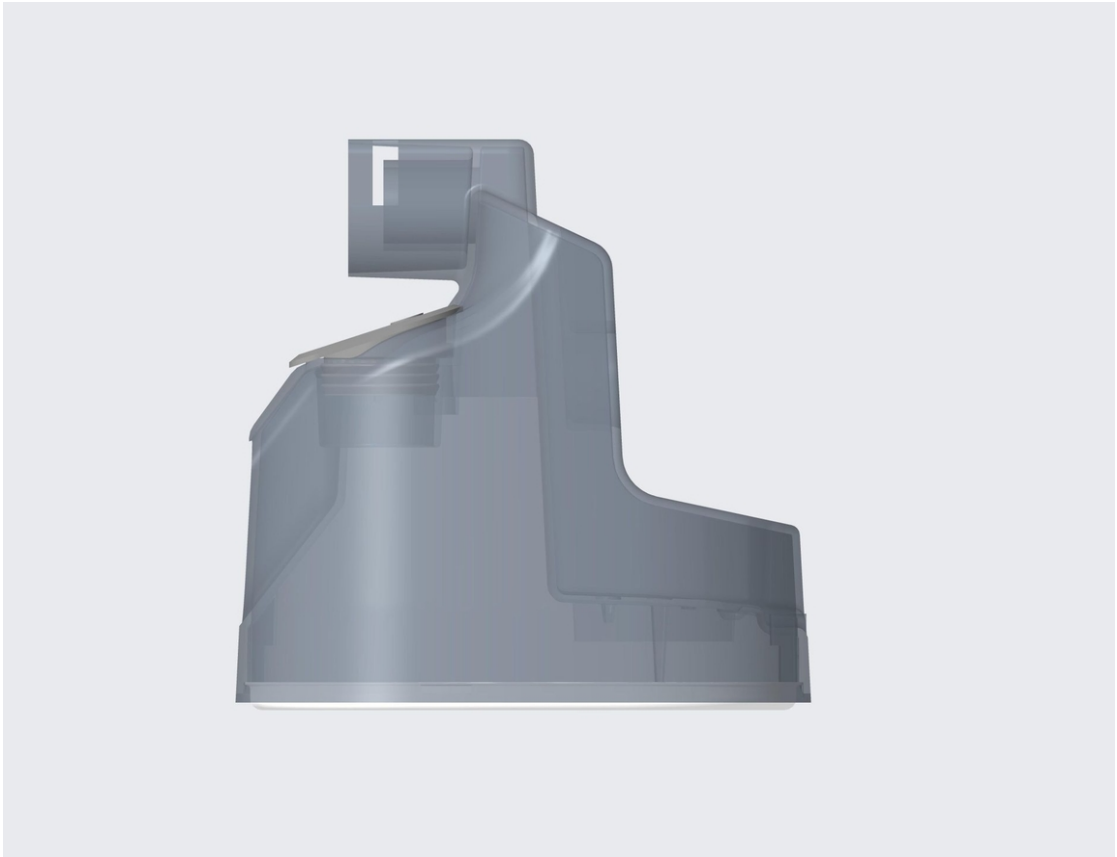
5. 2



5. 3



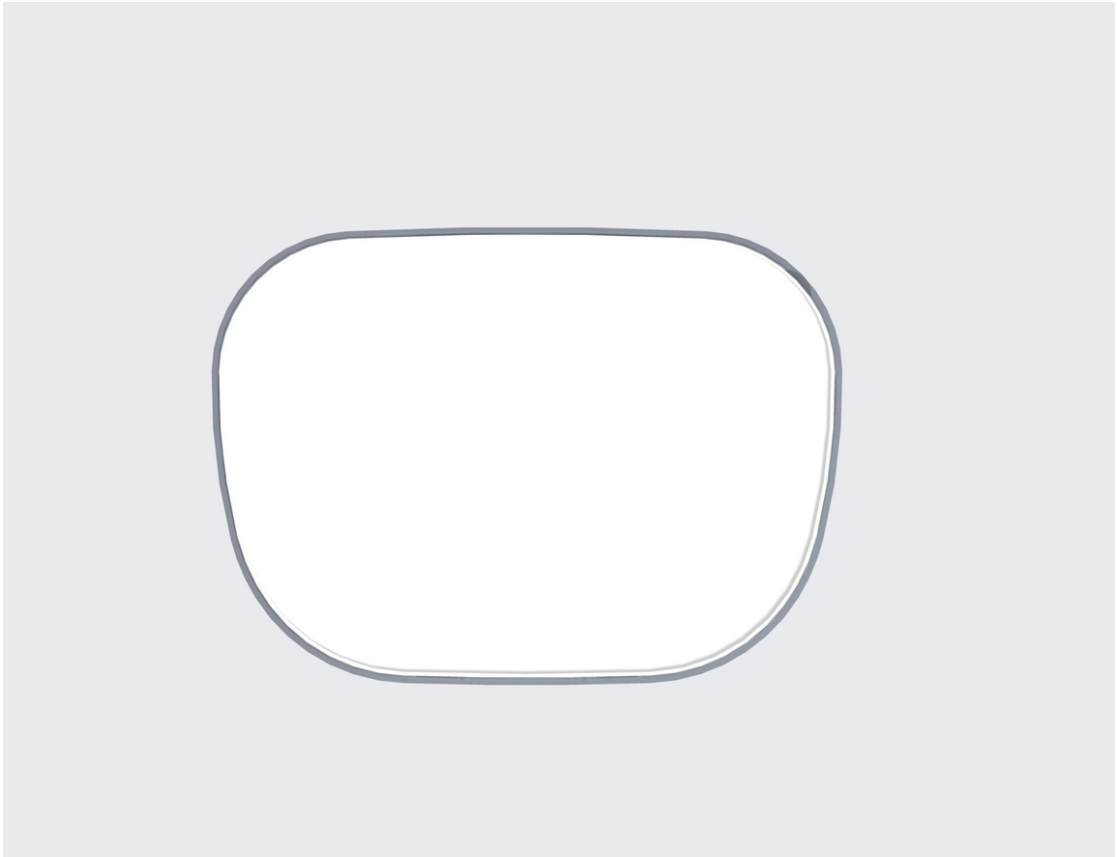
5. 4



5. 5



5. 6



5. 7



5. 8

