



**HAGUE AGREEMENT CONCERNING
THE INTERNATIONAL REGISTRATION OF INDUSTRIAL DESIGNS**

- STATEMENT OF GRANT OF PROTECTION -

Rule 18bis(1) of the Common Regulations

I. Office sending the statement:

Japan Patent Office (JPO)
3-4-3 Kasumigaseki, Chiyoda-ku Tokyo 100-8915, Japan

II. International Registration Number: DM/218179
Design Number: 1

III. Date on which the international registration produced the effect as a grant of protection (yyyy/mm/dd):

2022/06/13

IV. Date of the statement (yyyy/mm/dd):

2022/06/14

V. Information concerning the industrial design as accepted or, where applicable, amended and accepted:

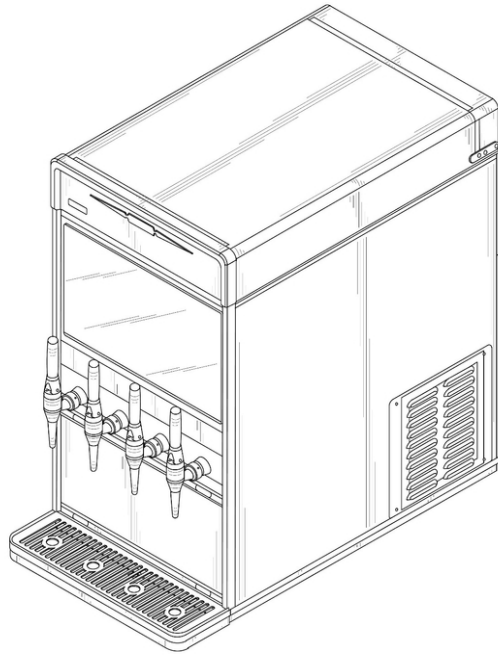
(54) Indication of product:

Beverage dispenser, except for household purposes

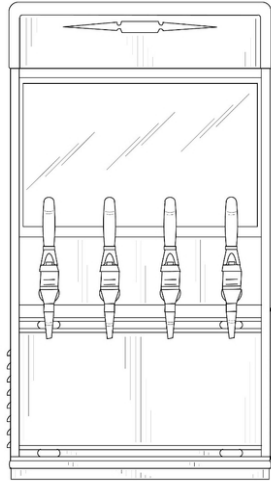
(57)(55) Description, Legends to indicate a specific view of the product:

The design relates to a beverage dispenser capable of dispensing one or more beverages from a plurality of output ports. 1.1)Perspective; 1.2)Front; 1.3)Back; 1.4)Right; 1.5)Left; 1.6)Top; 1.7)Bottom

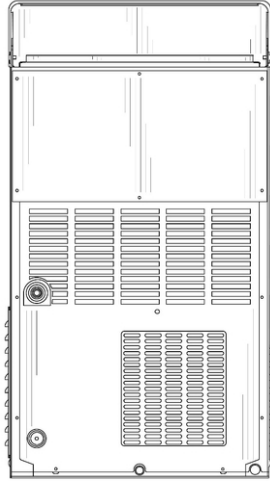
1. 1



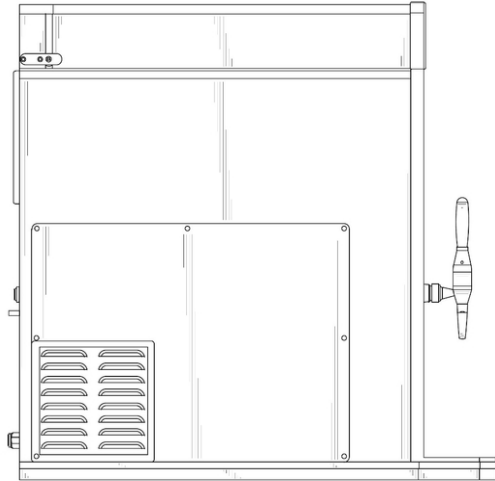
1. 2



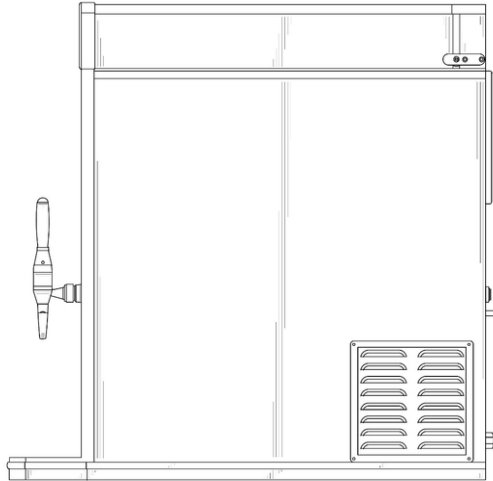
1. 3



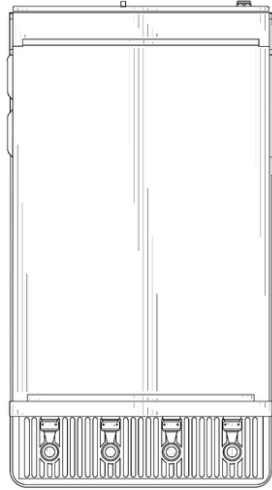
1. 4



1. 5



1. 6



1. 7

