



**HAGUE AGREEMENT CONCERNING
THE INTERNATIONAL REGISTRATION OF INDUSTRIAL DESIGNS**

- STATEMENT OF GRANT OF PROTECTION FOLLOWING A REFUSAL -

Rule 18bis(2) of the Common Regulations

I. Office sending the statement:

Japan Patent Office (JPO)
3-4-3 Kasumigaseki, Chiyoda-ku Tokyo 100-8915, Japan

II. International Registration Number: DM/207914
Design Number: 2

III. Date on which the international registration produced the effect as a grant of protection (yyyy/mm/dd):

2021/06/07

IV. Date of the statement (yyyy/mm/dd):

2021/06/08

V. Information concerning the industrial design as accepted or, where applicable, amended and accepted:

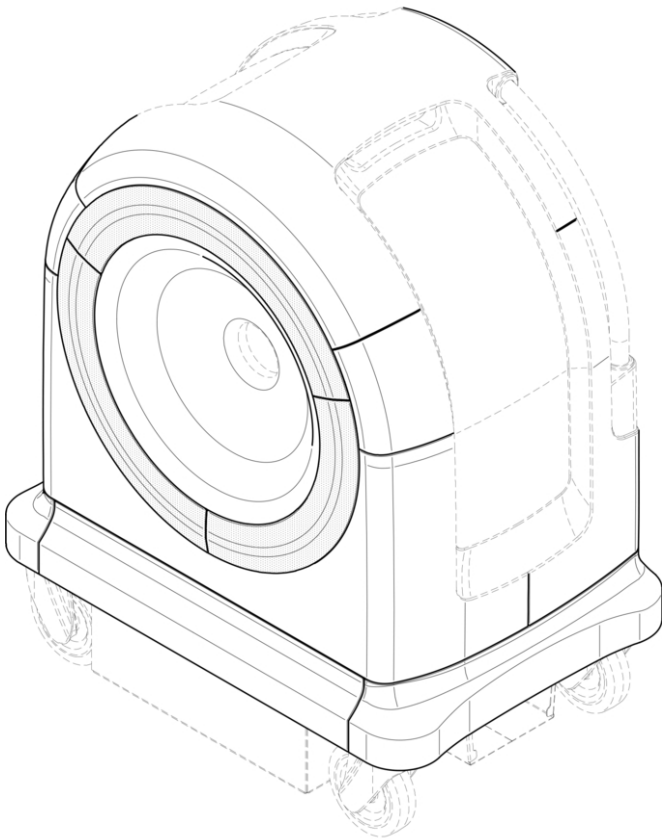
(54) Indication of product:

Analytical imaging device for medical purposes

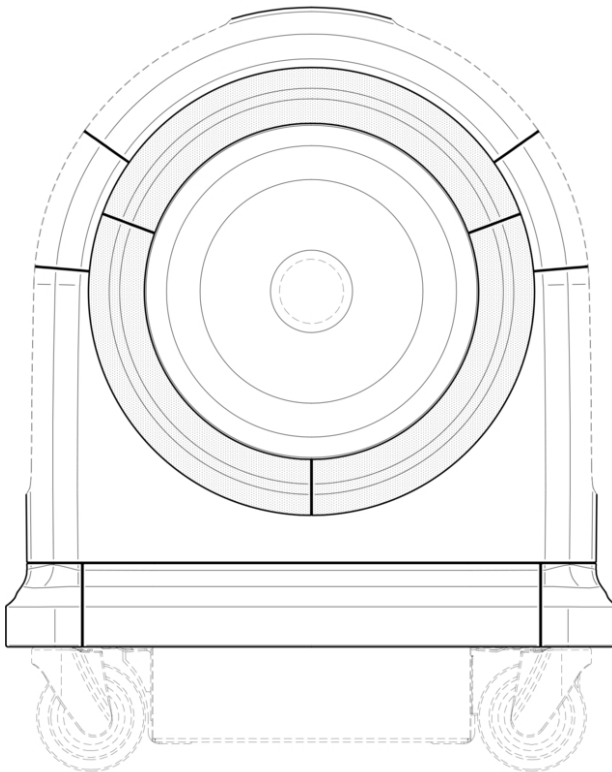
(57)(55) Description, Legends to indicate a specific view of the product:

The analytical imaging device 10 for medical purposes includes a housing 12, which houses a magnetic array and associated coils for obtaining magnetic resonance imaging (MRI) scans of a patient. The front surface 14 of the housing 12 defines a concave surface. A through-hole 16 or bore is defined through the housing from the front surface 14 to a rear surface. The analytical imaging device 10 is configured to image portions of the patient positioned within the field of view, which is an area outside of the housing adjacent to the front surface. The figures depict multiple views of an analytical device showing the new designs; figs. 2.1-2.8 are perspective, front, back, side, side, top, bottom, reference views of the first embodiment of our new design, respectively.

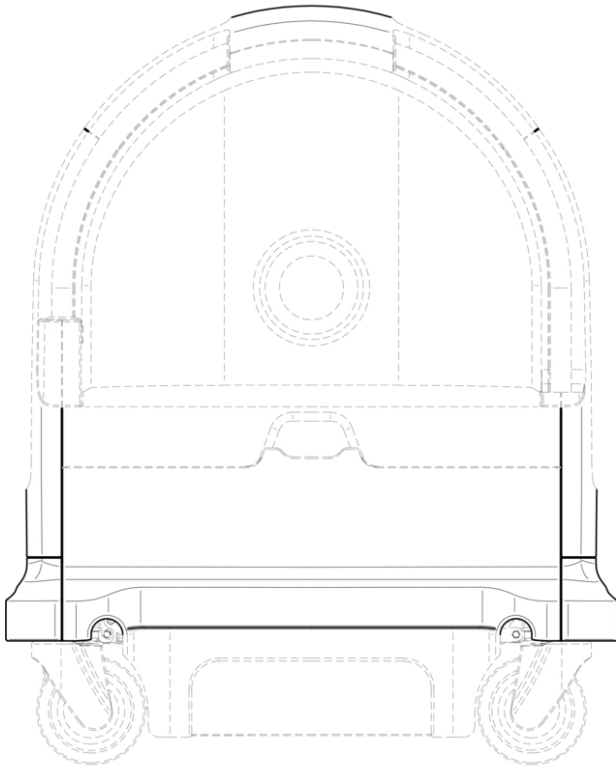
2. 1



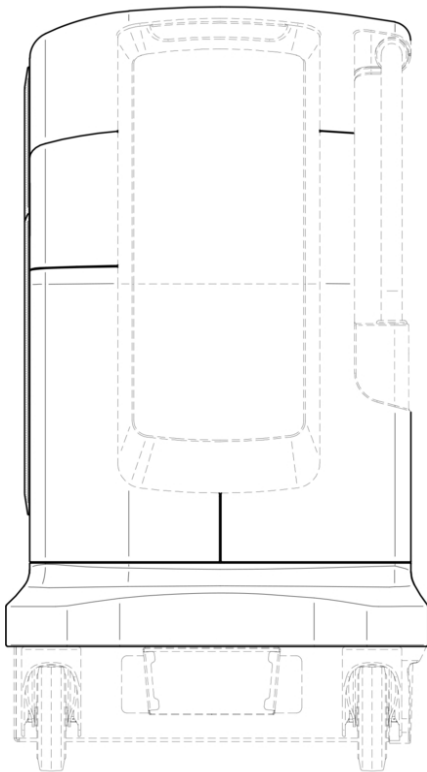
2. 2



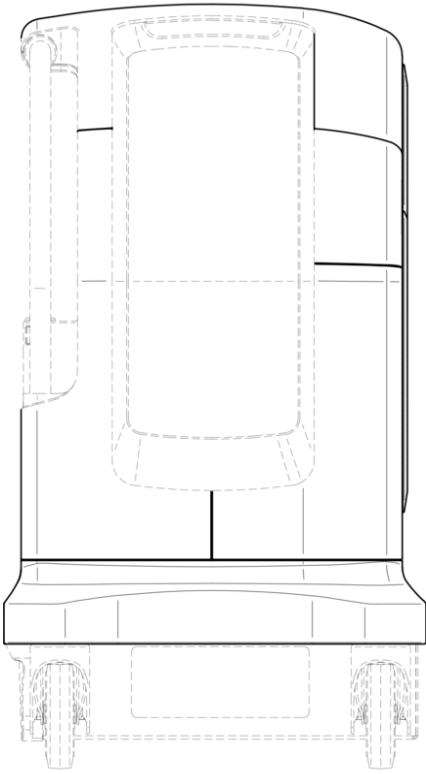
2. 3



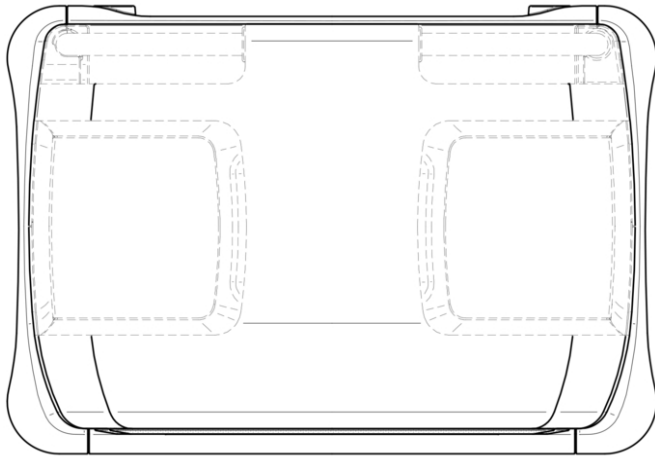
2. 4



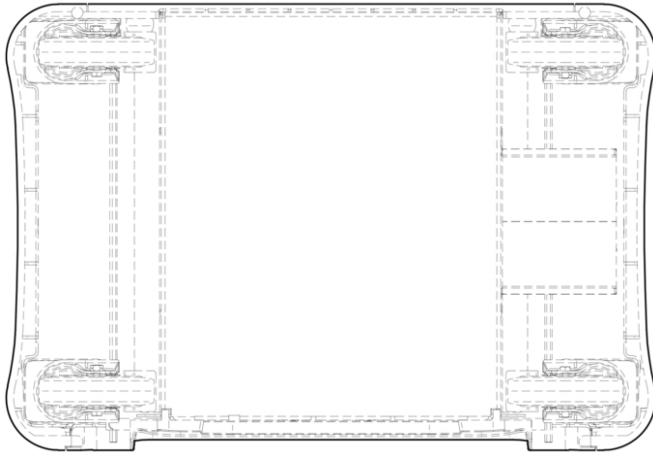
2. 5



2. 6



2. 7



2. 8

