



**HAGUE AGREEMENT CONCERNING
THE INTERNATIONAL REGISTRATION OF INDUSTRIAL DESIGNS**

- STATEMENT OF GRANT OF PROTECTION FOLLOWING A REFUSAL -

Rule 18bis(2) of the Common Regulations

I. Office sending the statement:

Japan Patent Office (JPO)
3-4-3 Kasumigaseki, Chiyoda-ku Tokyo 100-8915, Japan

II. International Registration Number: DM/098349
Design Number: 2

III. Date on which the international registration produced the effect as a grant of protection (yyyy/mm/dd):

2019/03/22

IV. Date of the statement (yyyy/mm/dd):

2019/03/26

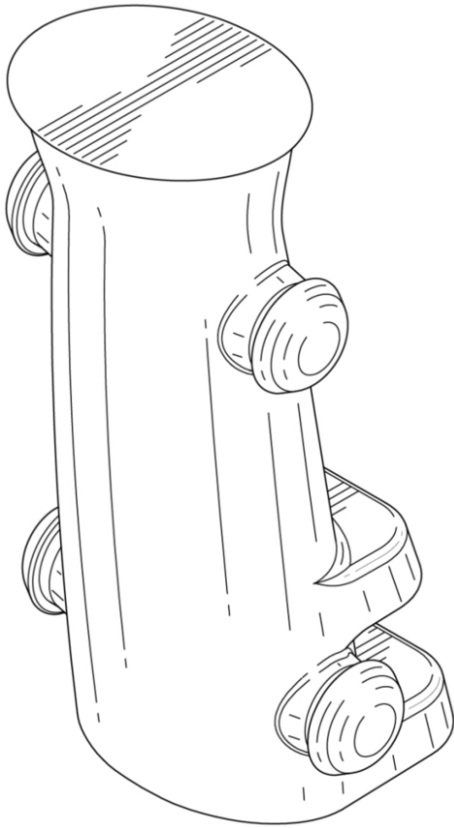
V. Information concerning the industrial design as accepted or, where applicable, amended and accepted:

(54) Indication of product:
Razor components

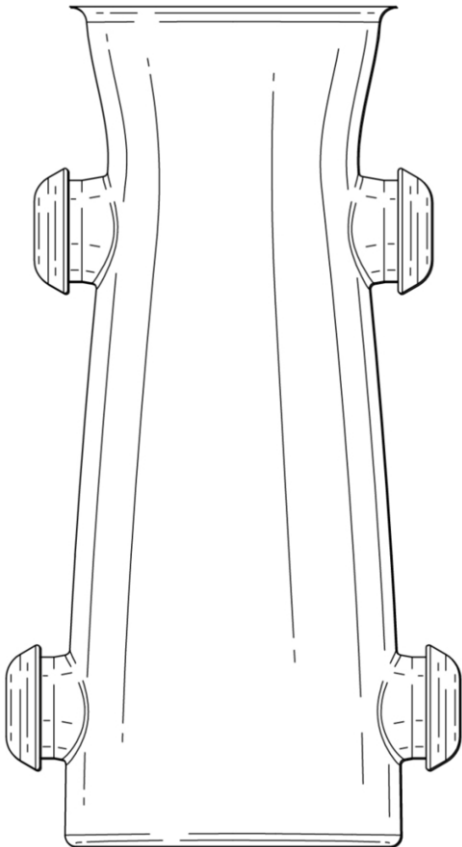
(57)(55) Description, Legends to indicate a specific view of the product:

A "Razor component" for the present design application is a lower rod part, which is connected to a neck piece for a razor handle, as shown by "perspective view showing use condition for reference". In actual use condition, the flat top surface of the lower rod part for the present design application is glued on the flat bottom surface of upper neck part by a strong adhesive.

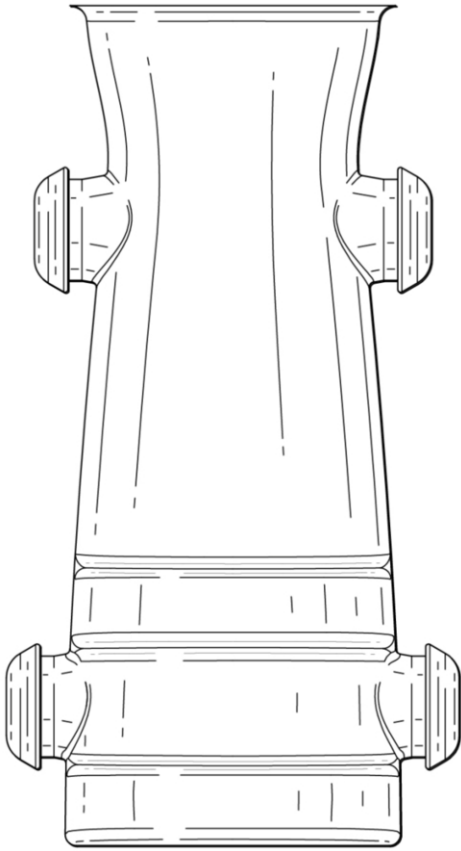
2. 1



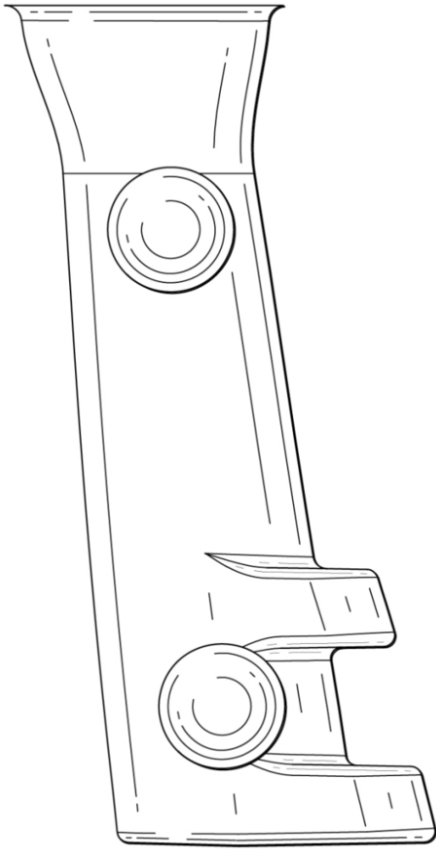
2. 2



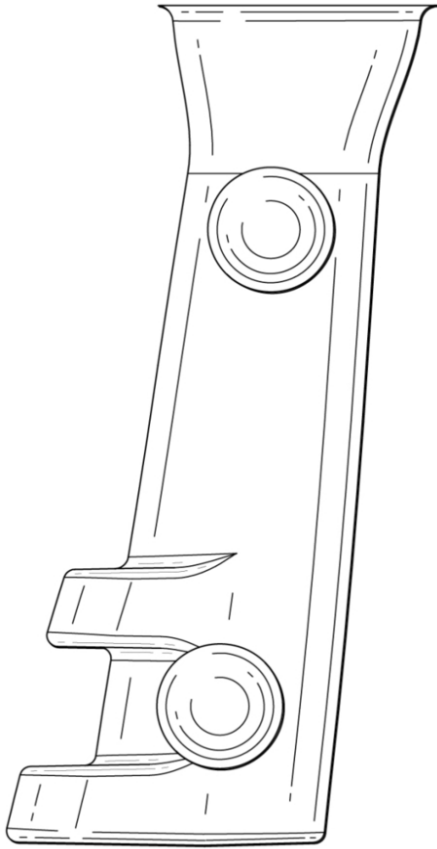
2. 3



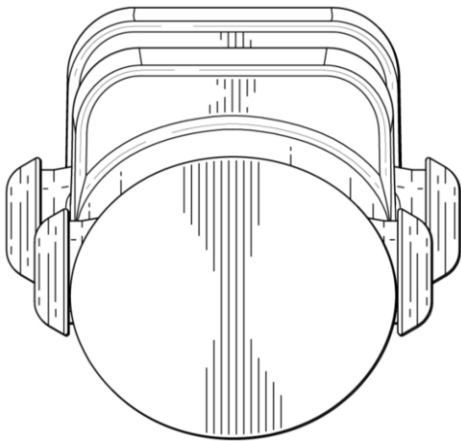
2. 4



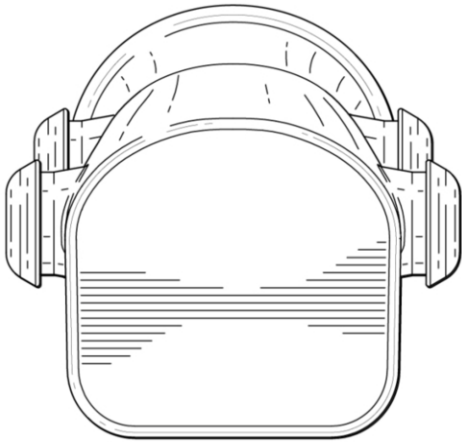
2. 5



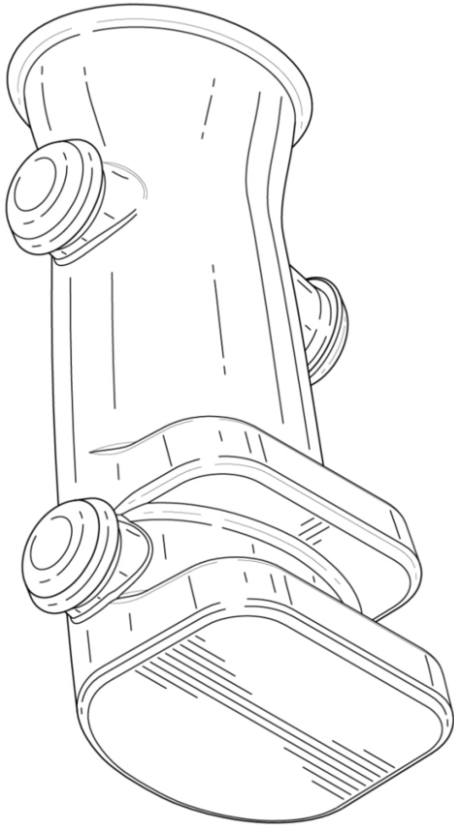
2. 6



2. 7



2. 8



使用状態を示す参考斜視図

