



UNITED STATES PATENT AND TRADEMARK OFFICE

UNITED STATES DEPARTMENT OF COMMERCE
United States Patent and Trademark Office
Address: COMMISSIONER FOR PATENTS
P.O. Box 1450
Alexandria, Virginia 22313-1450
www.uspto.gov

APPLICATION NO.	U.S.PATENT NO.	ISSUE DATE	FIRST NAMED INVENTOR
35/501,641	D,840,683	02/19/2019	Christian Hue

World Intellectual Property Organization
34, chemin des Colombettes, P.O. Box 18
1211 Geneva 20, Switzerland

DATE: 02/19/2019

STATEMENT OF GRANT OF PROTECTION

(Rule 18bis of the Common Regulations under the Hague Agreement)

The above-identified U.S. patent issued from an international design application. The international registration number corresponding to the international design application is:

DM/092541

The International Bureau is hereby notified that upon issuance of the above-referenced U.S. patent protection is granted in the United States to those industrial design or designs that are the subject of the international registration, as received from the International Bureau or, where applicable, as amended before the Office, and covered by the patent. A copy of the above-identified U.S. patent is communicated with and forms part of this statement.



US00D840683S

(12) **United States Design Patent** (10) **Patent No.:** **US D840,683 S**
Hue (45) **Date of Patent:** **** Feb. 19, 2019**

(54) **WHEELED CASE**
(71) Applicant: **SINELCO INTERNATIONAL BVBA**,
Ronse (BE)
(72) Inventor: **Christian Hue**, Ronse (BE)
(**) Term: **15 Years**
(21) Appl. No.: **35/501,641**
(22) Filed: **Jul. 13, 2016**

D554,860 S	*	11/2007	Udall	D3/279
D554,861 S	*	11/2007	Udall	D3/279
D554,862 S	*	11/2007	Hsieh	D3/279
D644,838 S	*	9/2011	Tong	D3/279
D668,454 S	*	10/2012	Blanchard	D3/279
D711,646 S	*	8/2014	Ke	D3/279
D712,142 S	*	9/2014	Bayley	D3/279
D727,621 S	*	4/2015	Lai	D3/279
D731,181 S	*	6/2015	Majeau	D3/279
D746,059 S	*	12/2015	Gross	D3/303
D769,619 S	*	10/2016	Sheikh	D3/273
D772,571 S	*	11/2016	Sijmons	D3/279
D793,728 S	*	8/2017	Faibish	D3/279
D796,838 S	*	9/2017	Sijmons	D3/279

(80) **Hague Agreement Data**

Int. Filing Date: **Jul. 13, 2016**
Int. Reg. No.: **DM/092541**
Int. Reg. Date: **Jul. 13, 2016**
Int. Reg. Pub. Date: **Sep. 30, 2016**

FOREIGN PATENT DOCUMENTS

WO WO2006/113926 10/2006

* cited by examiner

Primary Examiner — Manpreet S Matharu
Assistant Examiner — Holly E Thurman
(74) *Attorney, Agent, or Firm* — Polsinelli PC; Adam C. Rehm

(51) **LOC (11) Cl.** **03-01**
(52) **U.S. Cl.**
USPC **D3/279**

(58) **Field of Classification Search**
USPC D3/273, 276, 279, 281, 282, 289, 291,
D3/272, 902
CPC A45C 5/00; A45C 5/03; A45C 5/04; A45C
5/14; A45C 2005/037; A45C 2005/032;
A45C 2005/035; A45C 7/0027; A45C
7/0018
See application file for complete search history.

(57) **CLAIM**

The ornamental design for a wheeled case, as shown and described.

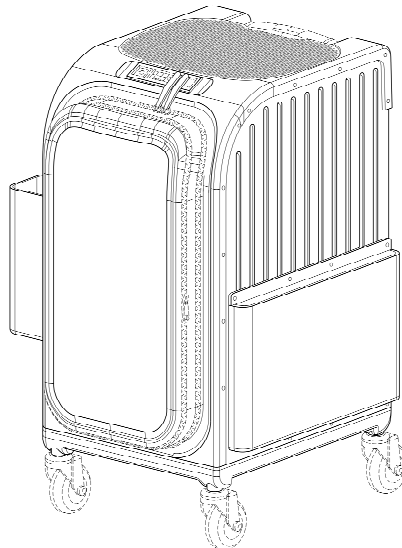
DESCRIPTION

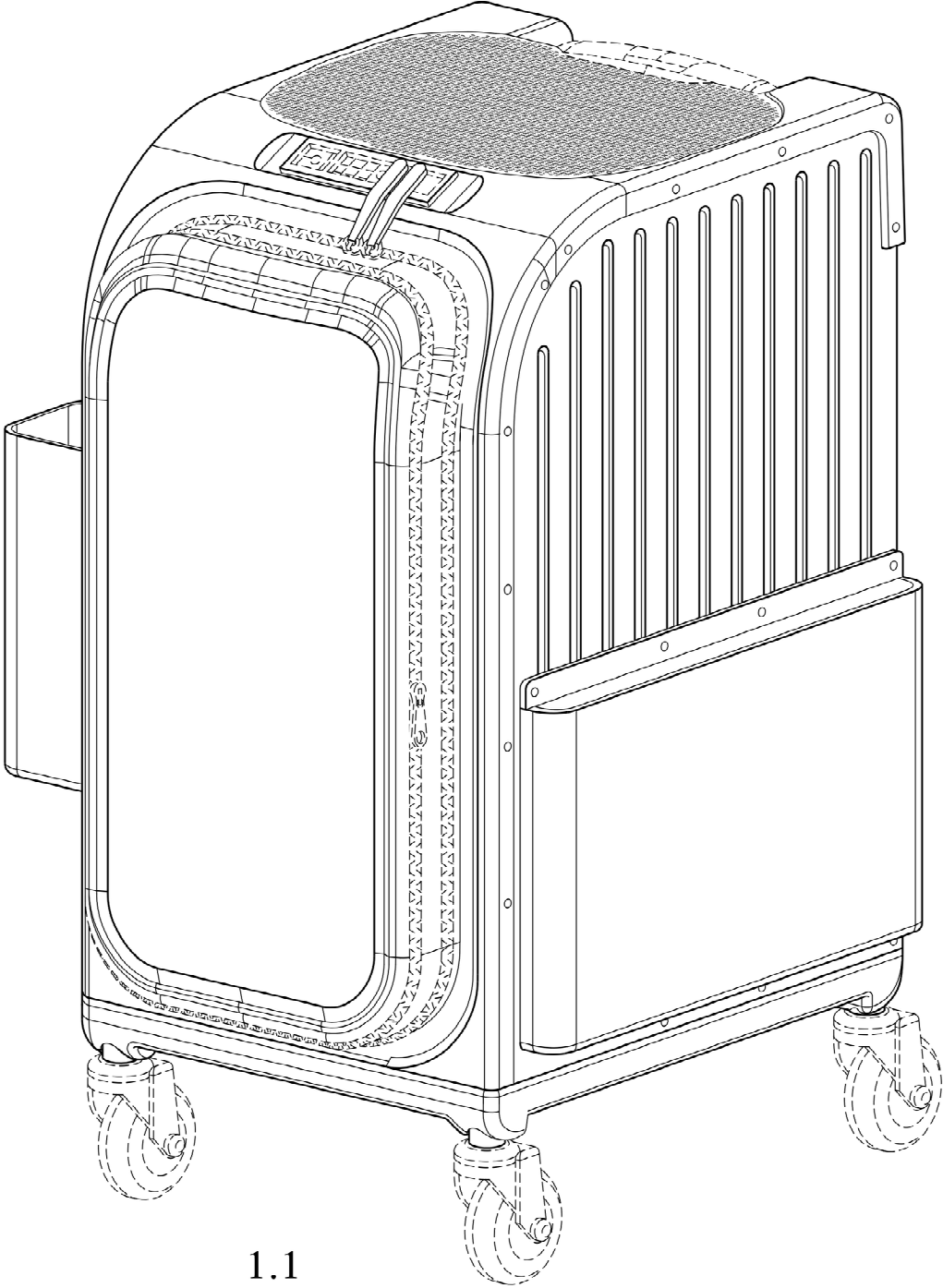
Figure 1.1 is a perspective view of a wheeled case showing the new design.
Figure 1.2 is a left side view of the wheeled case.
Figure 1.3 is a back view of the wheeled case.
Figure 1.4 is a right side view of the wheeled case.
Figure 1.5 is a bottom view of the wheeled case.
Figure 1.6 is a front view of the wheeled case.
Figure 1.7 is a top view of the wheeled case.
The broken lines shown in the Figures show portions of the wheeled case that form no part of the claimed design.

(56) **References Cited**
U.S. PATENT DOCUMENTS

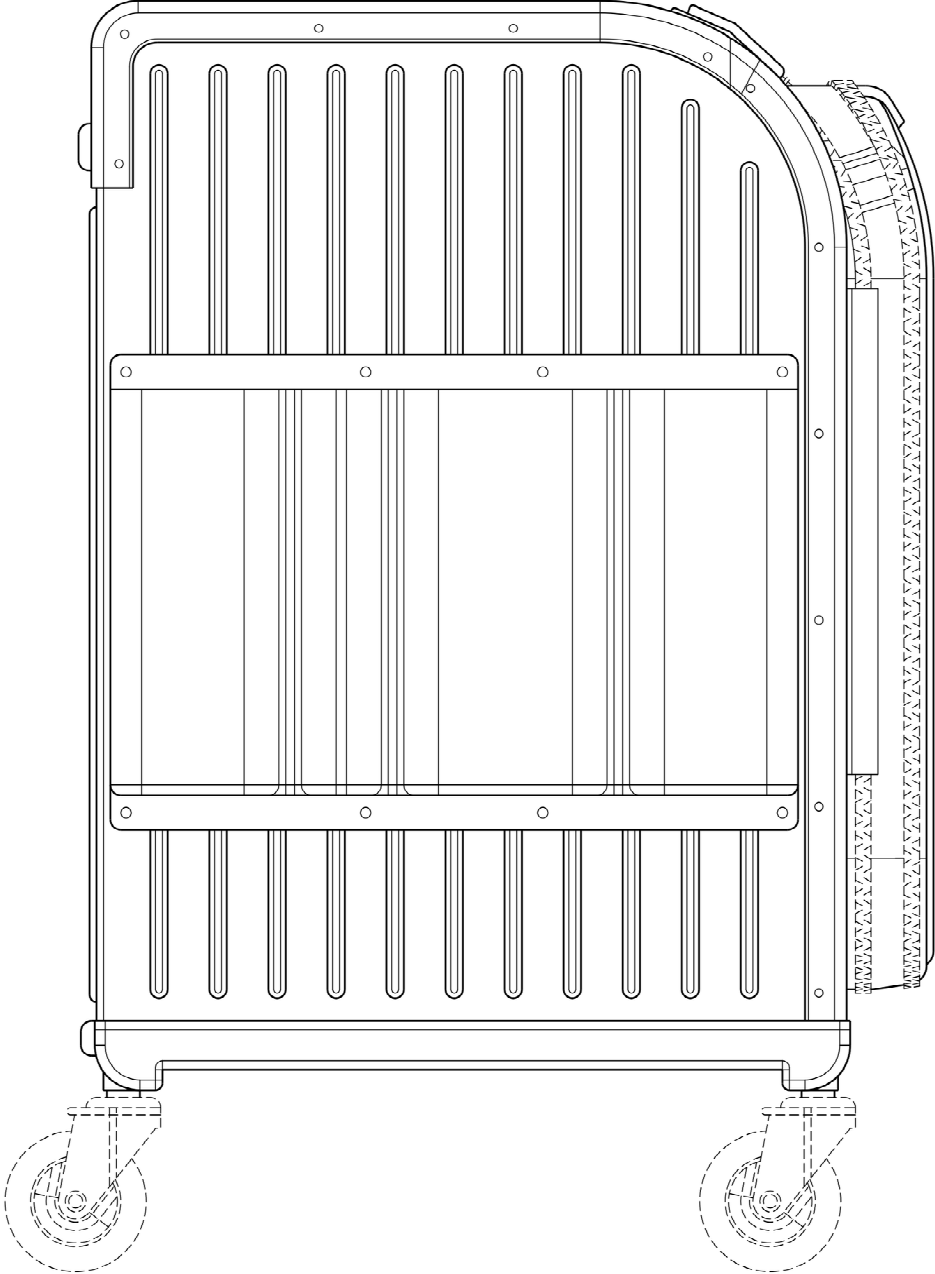
D364,504 S	*	11/1995	Bieber	D3/276
D427,768 S	*	7/2000	Bogert	D3/279
D463,910 S	*	10/2002	Tchan	D3/279
D474,598 S	*	5/2003	Platte, III	D3/279
D517,804 S	*	3/2006	Davenport	D3/279
D534,353 S	*	1/2007	Hsieh	D3/279
D554,369 S	*	11/2007	Katz	D3/279

1 Claim, 7 Drawing Sheets

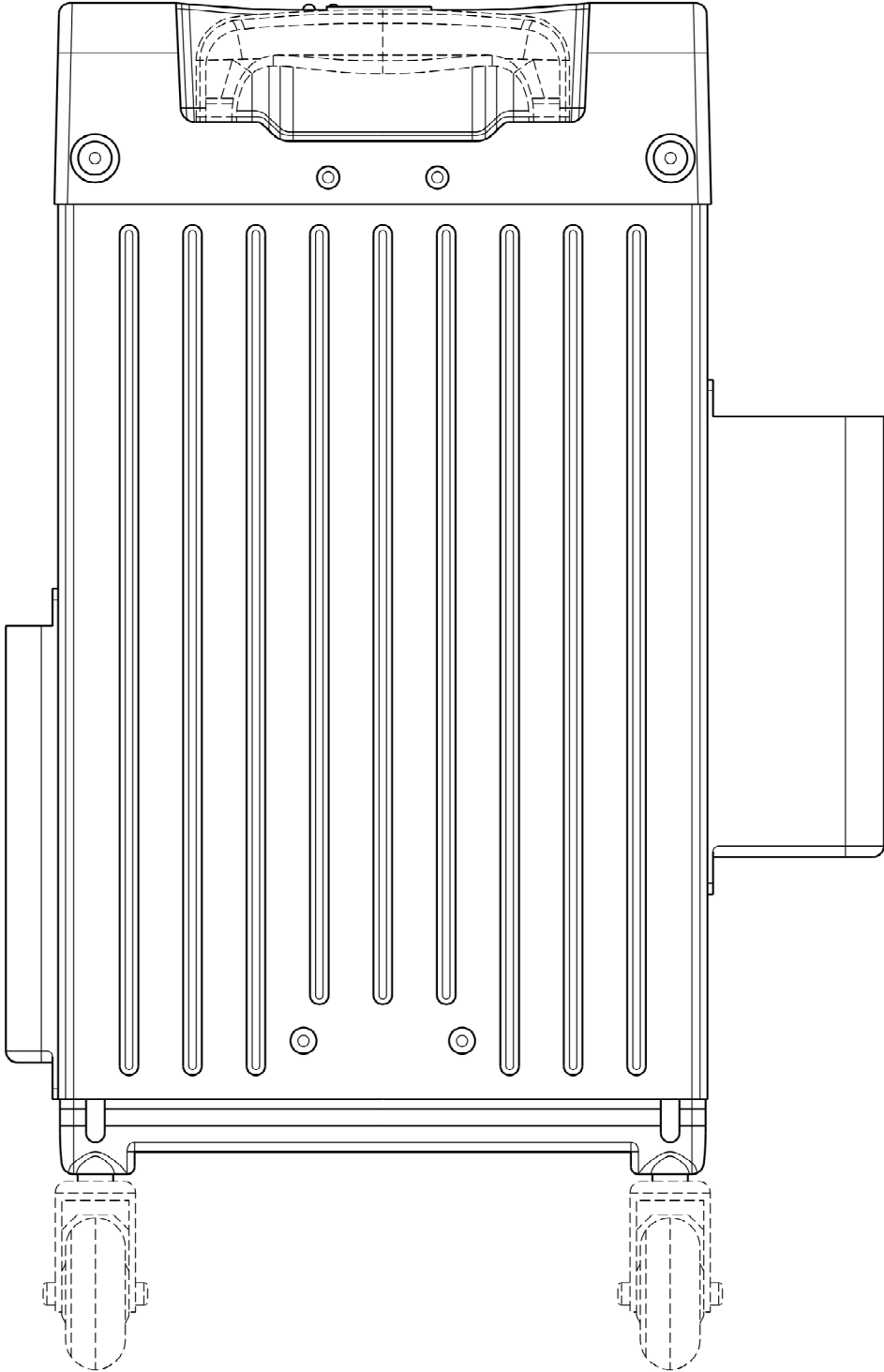




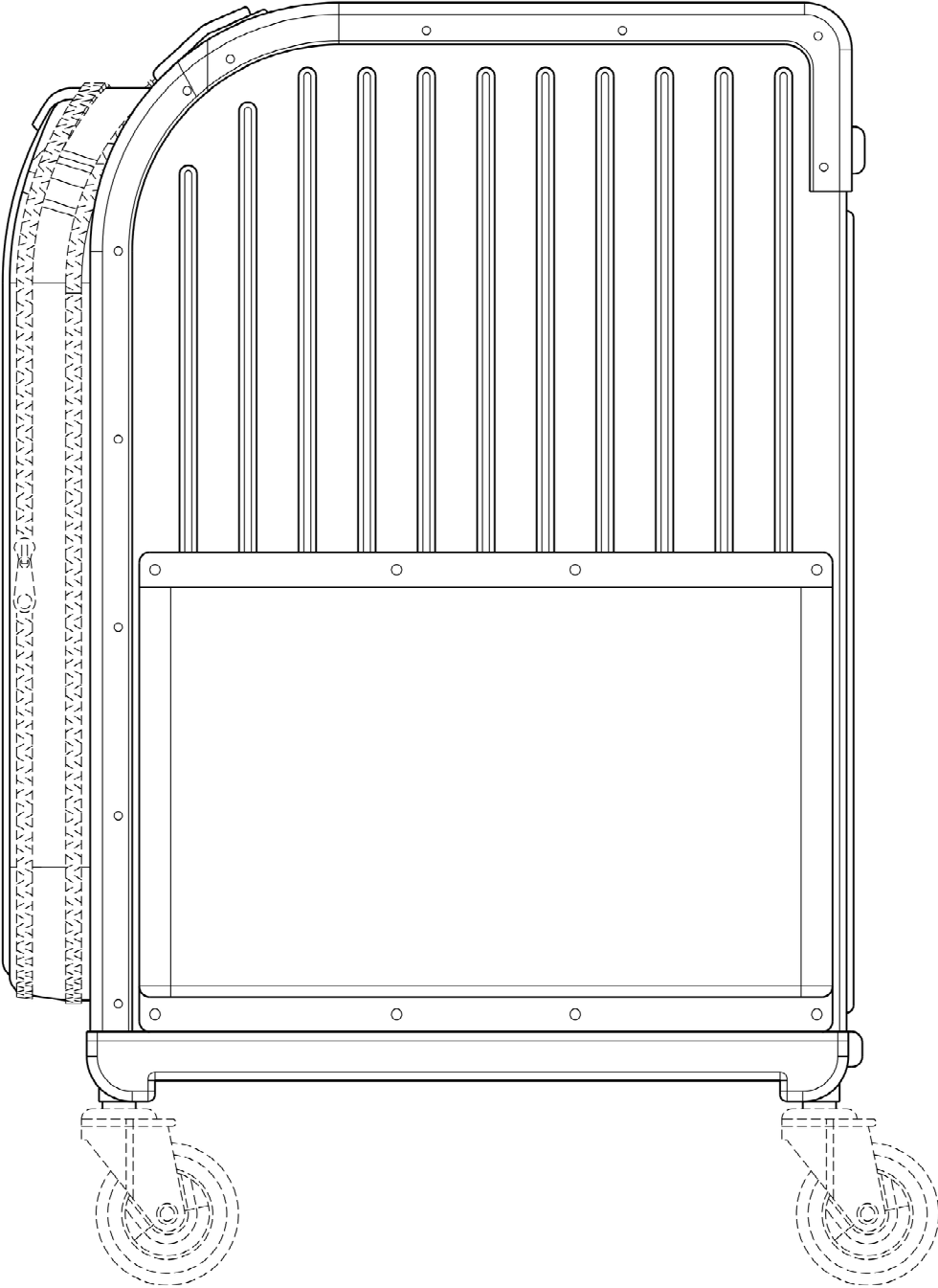
1.1



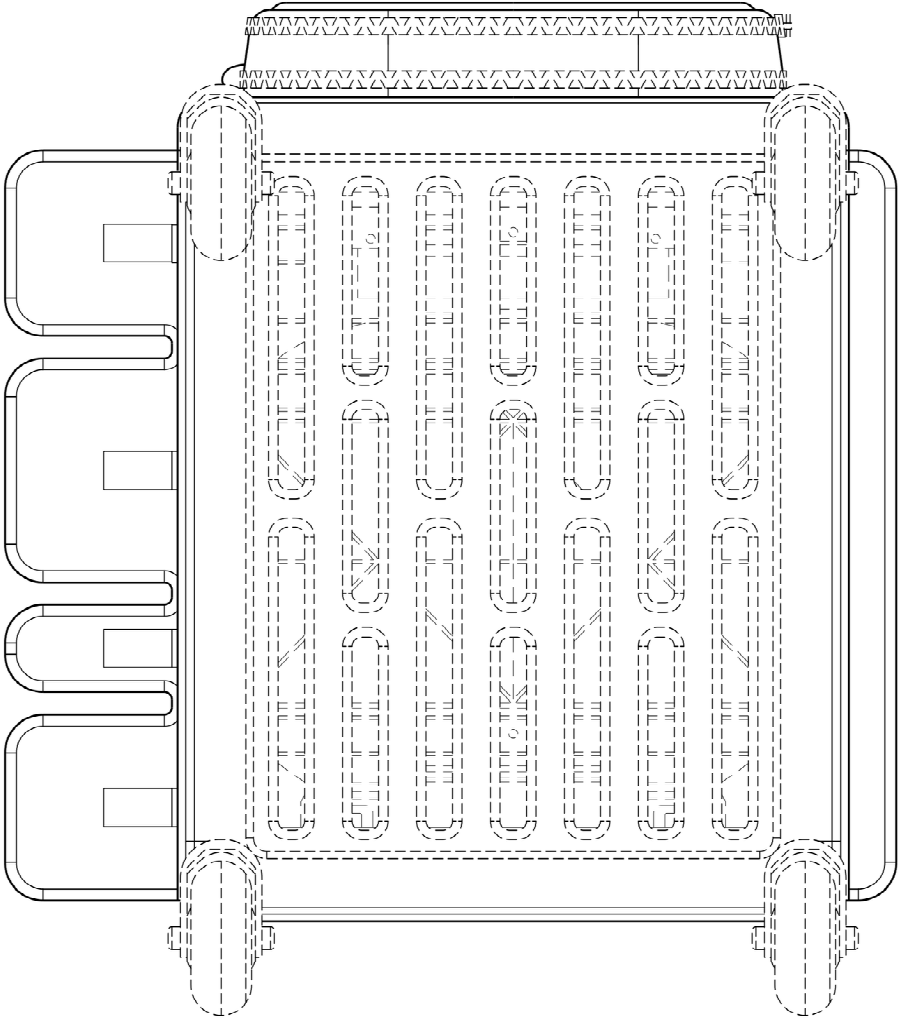
1.2



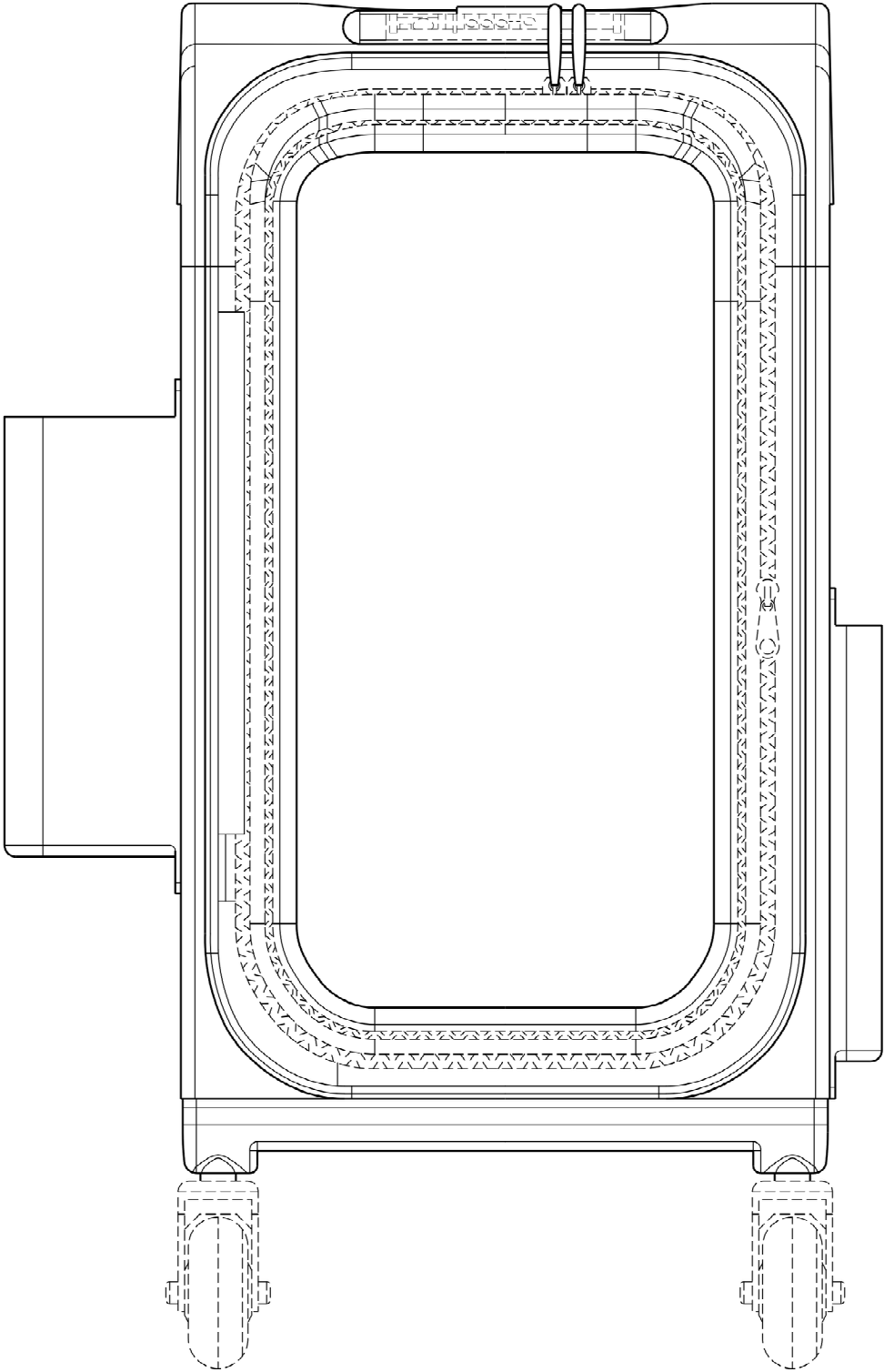
1.3



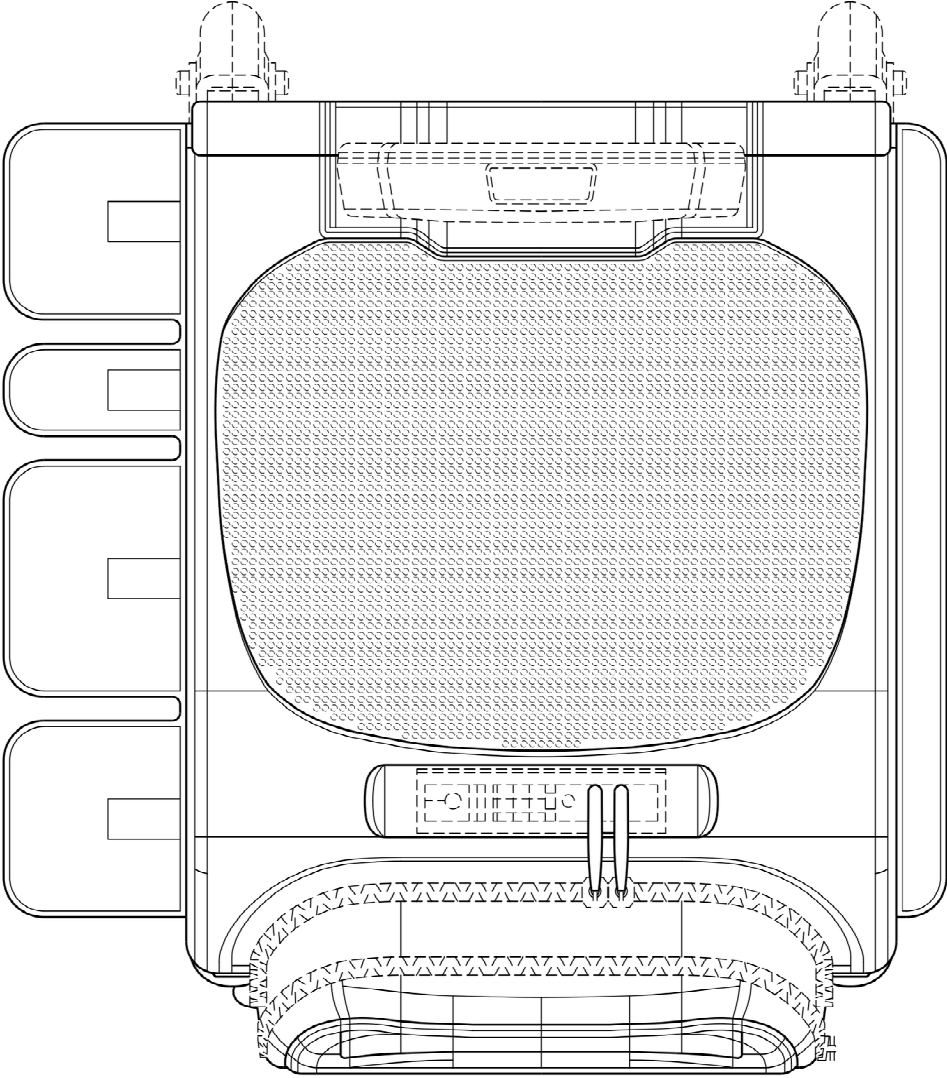
1.4



1.5



1.6



1.7