



**HAGUE AGREEMENT CONCERNING  
THE INTERNATIONAL REGISTRATION OF INDUSTRIAL DESIGNS**

**- STATEMENT OF GRANT OF PROTECTION -**

**Rule 18bis(1) of the Common Regulations**

I. Office sending the statement:

Japan Patent Office (JPO)  
3-4-3 Kasumigaseki, Chiyoda-ku Tokyo 100-8915, Japan

II. International Registration Number: DM/220067  
Design Number: 1

III. Date on which the international registration produced the effect as a grant of protection (yyyy/mm/dd):

2023/02/27

IV. Date of the statement (yyyy/mm/dd):

2023/02/28

V. Information concerning the industrial design as accepted or, where applicable, amended and accepted:

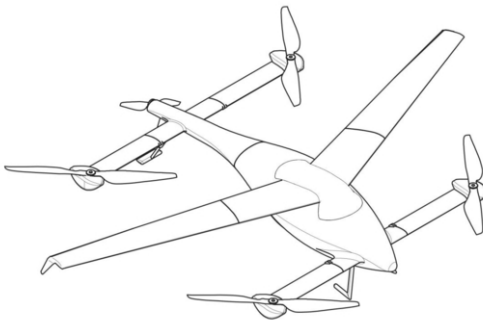
(54) Indication of product:  
Drone [aircraft]

(57)(55) Description, Legends to indicate a specific view of the product:

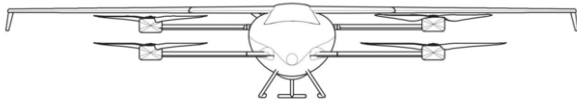
Figure 1.1 is a front, top, left-side perspective view of the drone in an open and assembled condition; figure 1.2 is a front view of the drone in an open and assembled condition; figure 1.3 is a rear view of the drone in an open and assembled condition; figure 1.4 is a left view of the drone in an open and assembled condition; figure 1.5 is a right view of the drone in an open and assembled condition; figure 1.6 is a top view of the drone in an open and assembled condition; figure 1.7 is a bottom view of the drone in an open and assembled condition; figure 1.8 is a front, top, left-side perspective view of the drone in a closed and assembled condition; figure 1.9 is a front view of the drone in a closed and assembled condition; figure 1.10 is a rear view of the drone in a closed and assembled condition; figure 1.11 is a left view of the drone in a closed and assembled condition; figure 1.12 is a right view of the drone in a closed and assembled condition; figure 1.13 is a

top view of the drone in a closed and assembled condition; figure 1.14 is a bottom view of the drone in a closed and assembled condition; figure 1.15 is a front, top, left-side perspective view of the drone in a folded and disassembled condition; figure 1.16 is a front view of the drone in a folded and disassembled condition; figure 1.17 is a rear view of the drone in a folded and disassembled condition; figure 1.18 is a left view of the drone in a folded and disassembled condition; figure 1.19 is a right view of the drone in a folded and disassembled condition; figure 1.20 is a top view of the drone in a folded and disassembled condition; and, figure 1.21 is a bottom view of the drone in a folded and disassembled condition. 1.1)Front, top, left-side perspective view - open and assembled; 1.2)Front view - open and assembled; 1.3)Back view - open and assembled; 1.4)Left view - open and assembled; 1.5)Right view - open and assembled; 1.6)Top view - open and assembled; 1.7)Bottom view - open and assembled; 1.8)Front, top, left-side perspective view-closed and assembled; 1.9)Front view - closed and assembled; 1.10)Back view - closed and assembled; 1.11)Left view - closed and assembled; 1.12)Right view - closed and assembled; 1.13)Top view - closed and assembled; 1.14)Bottom view - closed and assembled; 1.15)Front, top, left-side perspective view- folded-disassembled; 1.16)Front view - folded-disassembled; 1.17)Back view - folded-disassembled; 1.18)Left view - folded-disassembled; 1.19)Right view - folded-disassembled; 1.20)Top view - folded-disassembled; 1.21)Bottom view - folded-disassembled

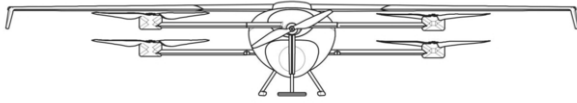
1. 1



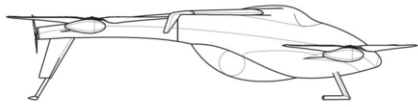
1. 2



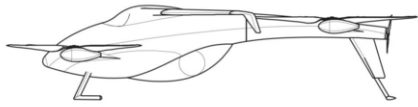
1. 3



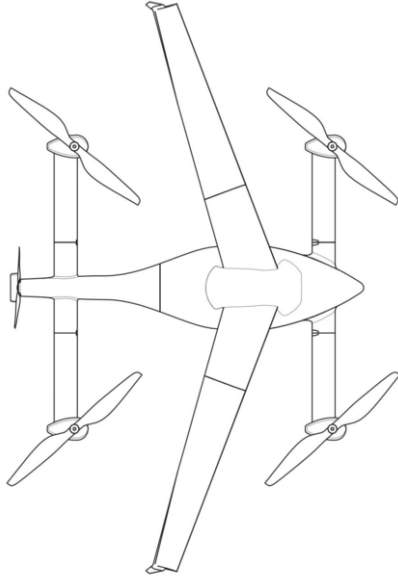
1. 4



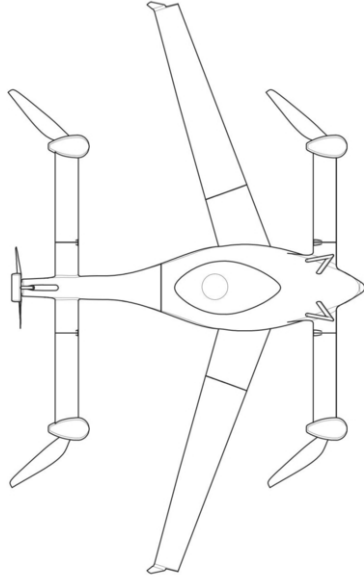
1. 5



1. 6

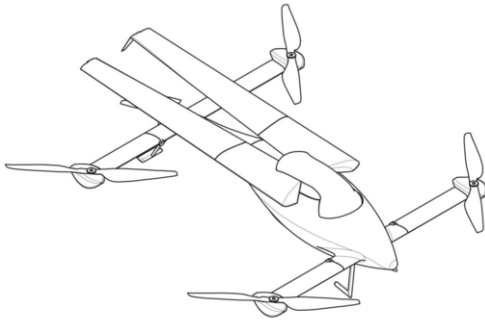


1. 7

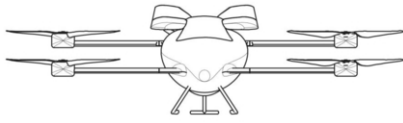




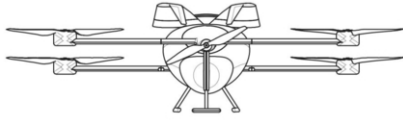
1. 8



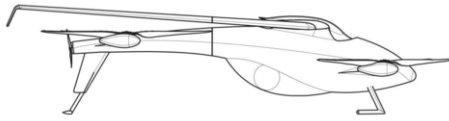
1. 9



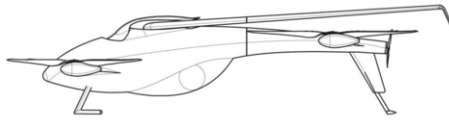
1. 1 0



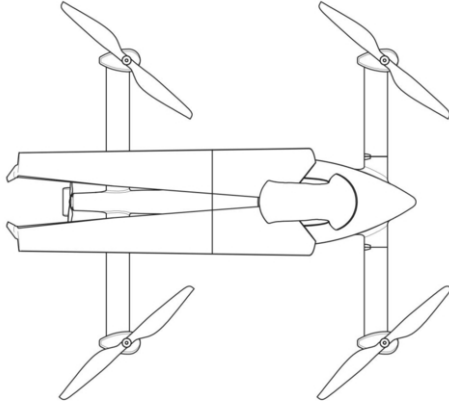
1. 1 1



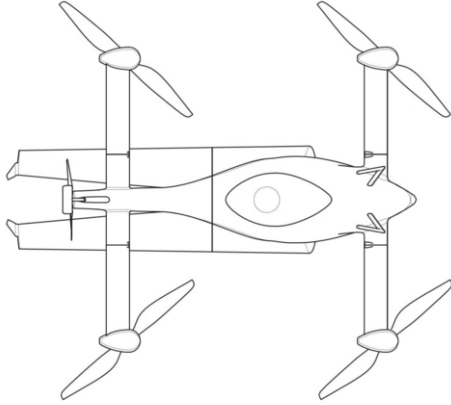
1. 1 2



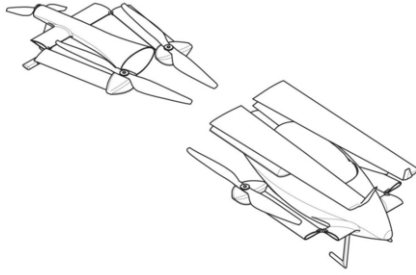
1. 13



1. 14

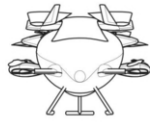


1. 15





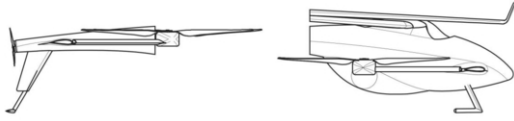
1. 16



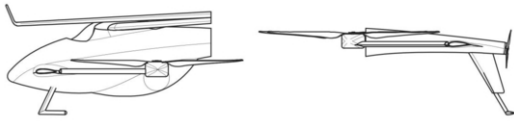
1. 17



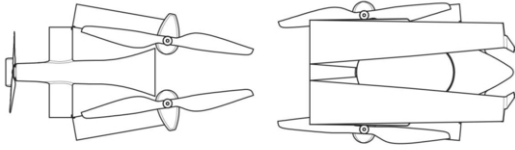
1. 18



1. 19



1. 2 0



1. 2 1

