



**HAGUE AGREEMENT CONCERNING  
THE INTERNATIONAL REGISTRATION OF INDUSTRIAL DESIGNS**

**- STATEMENT OF GRANT OF PROTECTION -**

**Rule 18bis(1) of the Common Regulations**

I. Office sending the statement:

Japan Patent Office (JPO)  
3-4-3 Kasumigaseki, Chiyoda-ku Tokyo 100-8915, Japan

II. International Registration Number: DM/208086  
Design Number: 1

III. Date on which the international registration produced the effect as a grant of protection (yyyy/mm/dd):

2021/02/15

IV. Date of the statement (yyyy/mm/dd):

2021/02/16

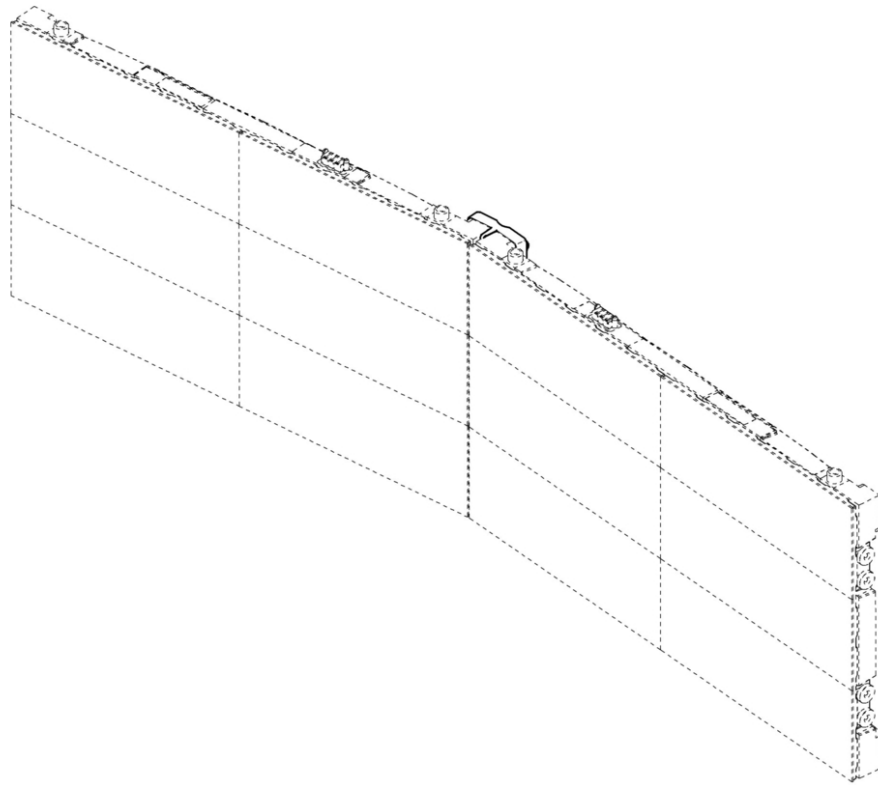
V. Information concerning the industrial design as accepted or, where applicable, amended and accepted:

(54) Indication of product:  
Electronic display unit

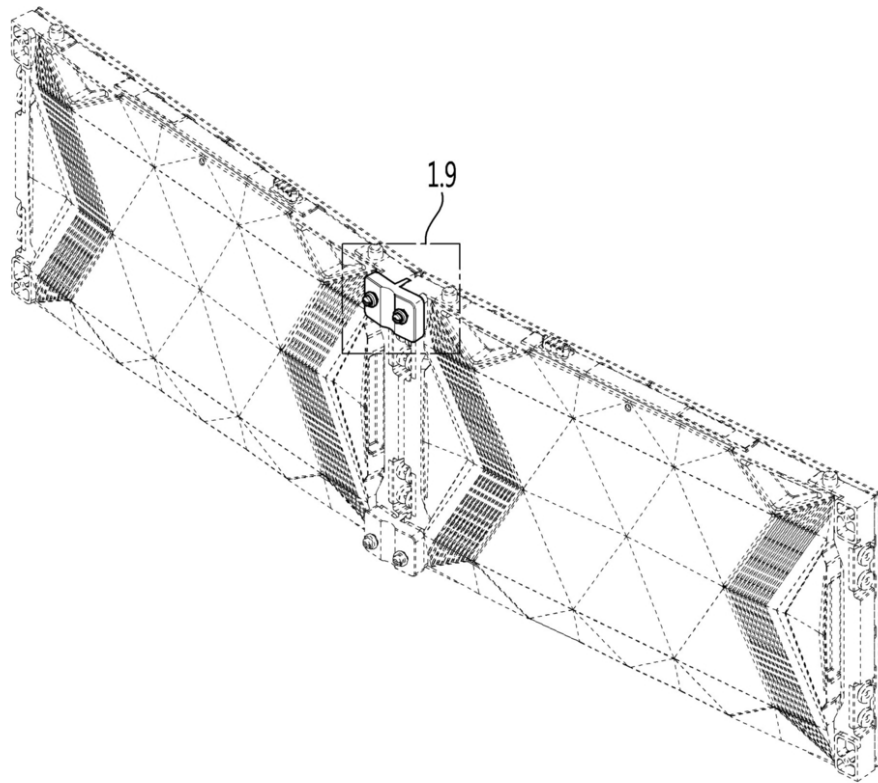
(57)(55) Description, Legends to indicate a specific view of the product:

The reproduction 1.9 is an enlarged view of a portion of the reproduction of 1.2 represented by the square in dash-dot lines and curvy line and the number 1.9; the broken lines indicate portions of the article that form no part of the claimed design. 1.1)Perspective; 1.2)Rear perspective view; 1.3)Front; 1.4)Back; 1.5)Left; 1.6)Right; 1.7)Top; 1.8)Bottom; 1.9)Enlarged

1. 1



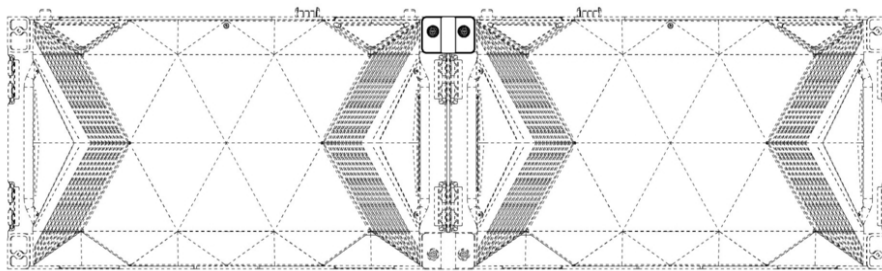
1. 2



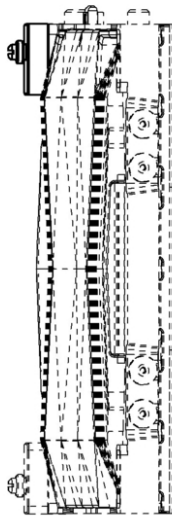
1. 3



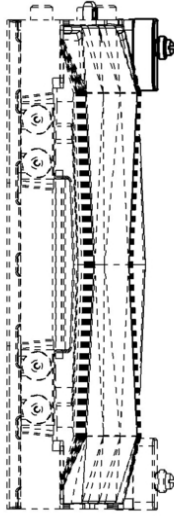
1. 4



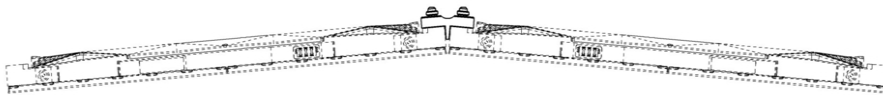
1. 5



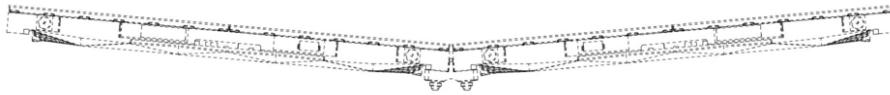
1. 6



1. 7



1. 8



1. 9

