



**HAGUE AGREEMENT CONCERNING
THE INTERNATIONAL REGISTRATION OF INDUSTRIAL DESIGNS**

- STATEMENT OF GRANT OF PROTECTION -

Rule 18bis(1) of the Common Regulations

I. Office sending the statement:

Japan Patent Office (JPO)
3-4-3 Kasumigaseki, Chiyoda-ku Tokyo 100-8915, Japan

II. International Registration Number: DM/208861
Design Number: 1

III. Date on which the international registration produced the effect as a grant of protection (yyyy/mm/dd):

2021/01/25

IV. Date of the statement (yyyy/mm/dd):

2021/01/26

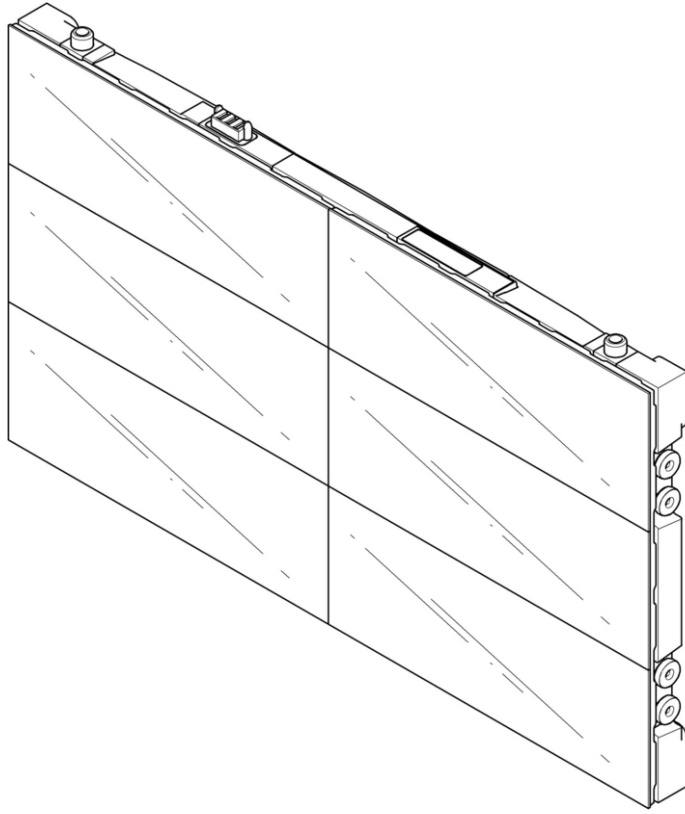
V. Information concerning the industrial design as accepted or, where applicable, amended and accepted:

(54) Indication of product:
Display screen

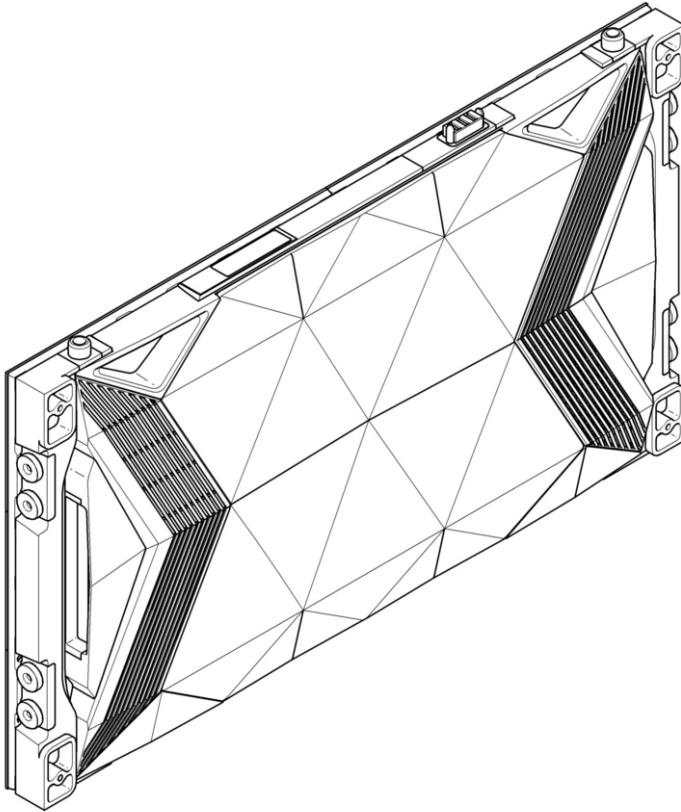
(57)(55) Description, Legends to indicate a specific view of the product:

The design could be extended by assembling (united) several designs using brackets. 1.1)Perspective; 1.2)Rear perspective view; 1.3)Front; 1.4)Back; 1.5)Left; 1.6)Right; 1.7)Top; 1.8)Bottom

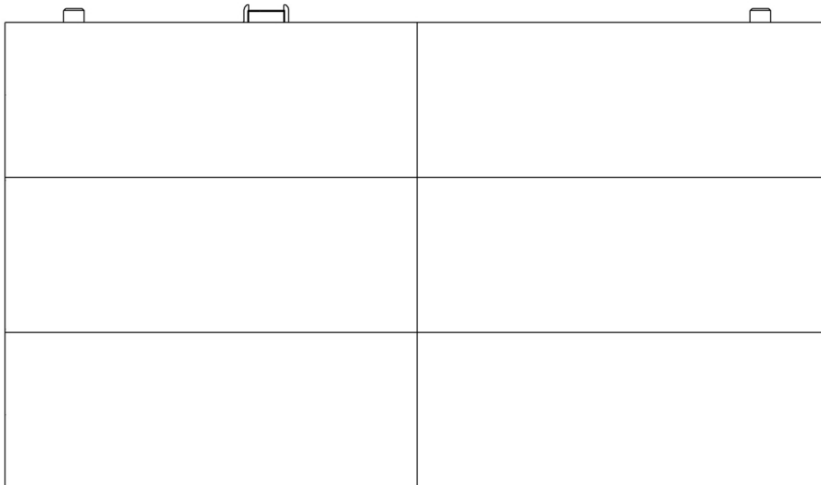
1. 1



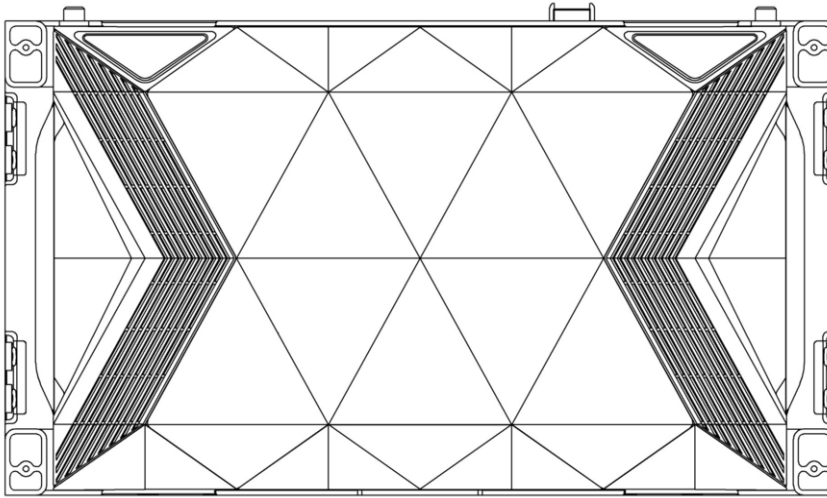
1. 2



1. 3



1. 4



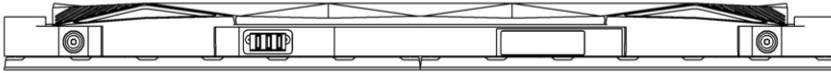
1. 5



1. 6



1. 7



1. 8

