



# UNITED STATES PATENT AND TRADEMARK OFFICE

UNITED STATES DEPARTMENT OF COMMERCE  
United States Patent and Trademark Office  
Address: COMMISSIONER FOR PATENTS  
P.O. Box 1450  
Alexandria, Virginia 22313-1450  
www.uspto.gov

APPLICATION NO.	U.S.PATENT NO.	ISSUE DATE	FIRST NAMED INVENTOR
35/501,605	D,818,731	05/29/2018	André Feldmann

World Intellectual Property Organization  
34, chemin des Colombettes, P.O. Box 18  
1211 Geneva 20, Switzerland

DATE: 05/29/2018

## STATEMENT OF GRANT OF PROTECTION

(Rule 18bis of the Common Regulations under the Hague Agreement)

The above-identified U.S. patent issued from an international design application. The international registration number corresponding to the international design application is:

DM/092415

The International Bureau is hereby notified that upon issuance of the above-referenced U.S. patent protection is granted in the United States to those industrial design or designs that are the subject of the international registration, as received from the International Bureau or, where applicable, as amended before the Office, and covered by the patent. A copy of the above-identified U.S. patent is communicated with and forms part of this statement.



US00D818731S

(12) **United States Design Patent**  
**Feldmann**

(10) **Patent No.:** **US D818,731 S**

(45) **Date of Patent:** **\*\* May 29, 2018**

(54) **BEACH CHAIR**

(71) Applicant: **DESIGN FOR HUMAN NATURE GMBH, Hamburg (DE)**

(72) Inventor: **André Feldmann, Hamburg (DE)**

(\*\*) Term: **15 Years**

(21) Appl. No.: **35/501,605**

(22) Filed: **Aug. 1, 2016**

(80) **Hague Agreement Data**

Int. Filing Date: **Aug. 1, 2016**

Int. Reg. No.: **DM/092415**

Int. Reg. Date: **Aug. 1, 2016**

Int. Reg. Pub. Date: **Sep. 23, 2016**

(30) **Foreign Application Priority Data**

Feb. 4, 2016 (EM) ..... 2973354-0001

(51) **LOC (11) Cl.** ..... **06-01**

(52) **U.S. Cl.**  
USPC ..... **D6/361**

(58) **Field of Classification Search**

USPC ..... D6/333, 335, 360, 361, 368, 369, 374, D6/375, 389-391

CPC ..... A47C 1/00; A47C 1/0242; A47C 1/14; A47C 1/146; A47C 3/00; A47C 3/16; A47C 4/00; A47C 7/00; A47C 7/62; A47C 7/66; A47C 15/00; A47D 13/02; B63B 29/04

See application file for complete search history.

(56) **References Cited**

**U.S. PATENT DOCUMENTS**

2,243,984 A \* 6/1941 Singewald ..... A47C 1/143  
135/96  
5,015,032 A \* 5/1991 Felling ..... A47C 1/0242  
297/184.15

5,380,059 A \* 1/1995 Felling ..... A47C 1/14  
135/96  
5,947,552 A \* 9/1999 Wilkins ..... A47C 7/66  
297/16.1  
D575,535 S \* 8/2008 Bizzell ..... D6/333  
D640,483 S \* 6/2011 Daley ..... A47D 9/005  
D6/333  
8,998,327 B2 \* 4/2015 Cooney ..... B63B 29/04  
297/188.1  
D731,800 S \* 6/2015 Wise ..... D6/361

(Continued)

*Primary Examiner* — Mary Ann Calabrese

(57) **CLAIM**

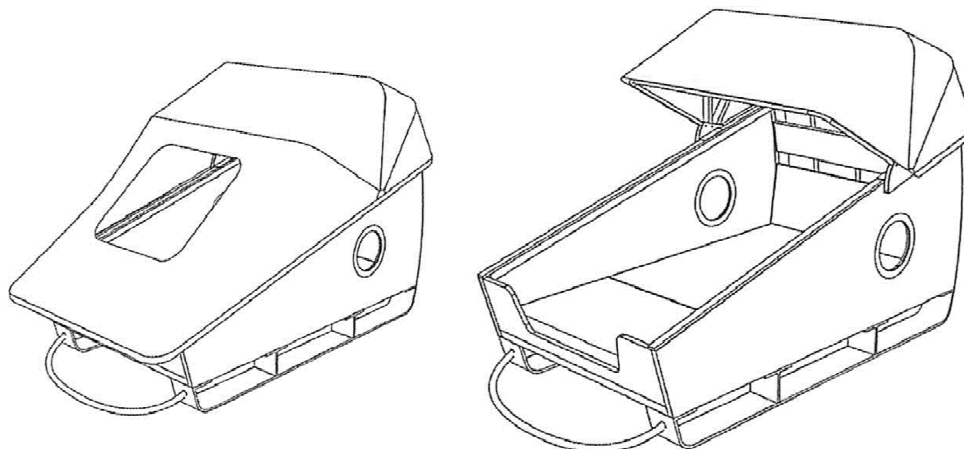
The ornamental design for a beach chair, as shown and described.

**DESCRIPTION**

- 1. Wicker beach chair
- 1.1 : Top
- 1.2 : Right
- 1.3 : Front
- 1.4 : Left
- 1.5 : Back
- 1.6 : Bottom
- 1.7 : Perspective
- 1.8 : Top view with the canopy in an alternate unfolded position of use
- 1.9 : Right side view with the canopy in an alternate unfolded position of use
- 1.10 : Front side view with the canopy in an alternate unfolded position of use
- 1.11 : Left side view with the canopy in an alternate unfolded position of use
- 1.12 : Back side view with the canopy in an alternate unfolded position of use
- 1.13 : Bottom view with the canopy in an alternate unfolded position of use
- 1.14 : Perspective view with the canopy in an alternate unfolded position of use

The portions of the beach chair shown in broken lines form no part of the claimed design.

**1 Claim, 14 Drawing Sheets**



(56)

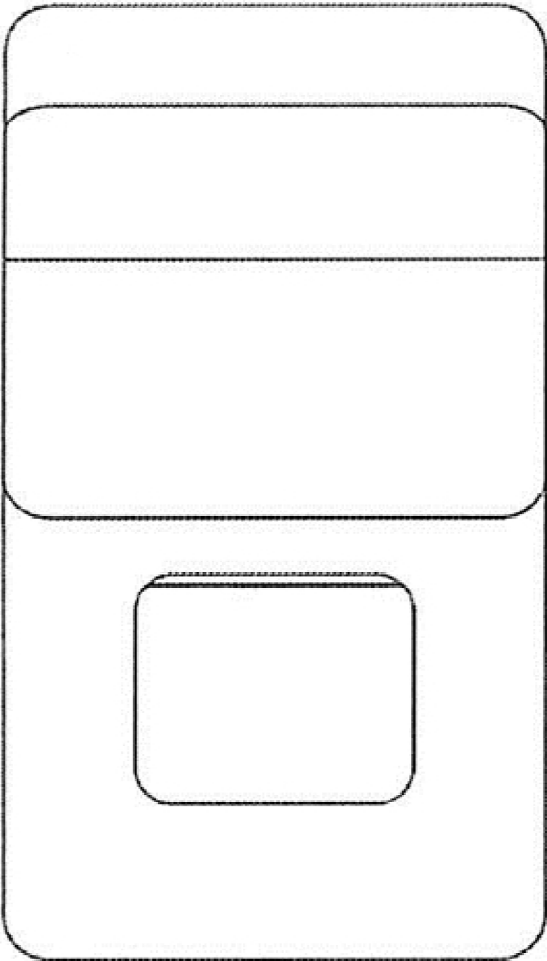
**References Cited**

U.S. PATENT DOCUMENTS

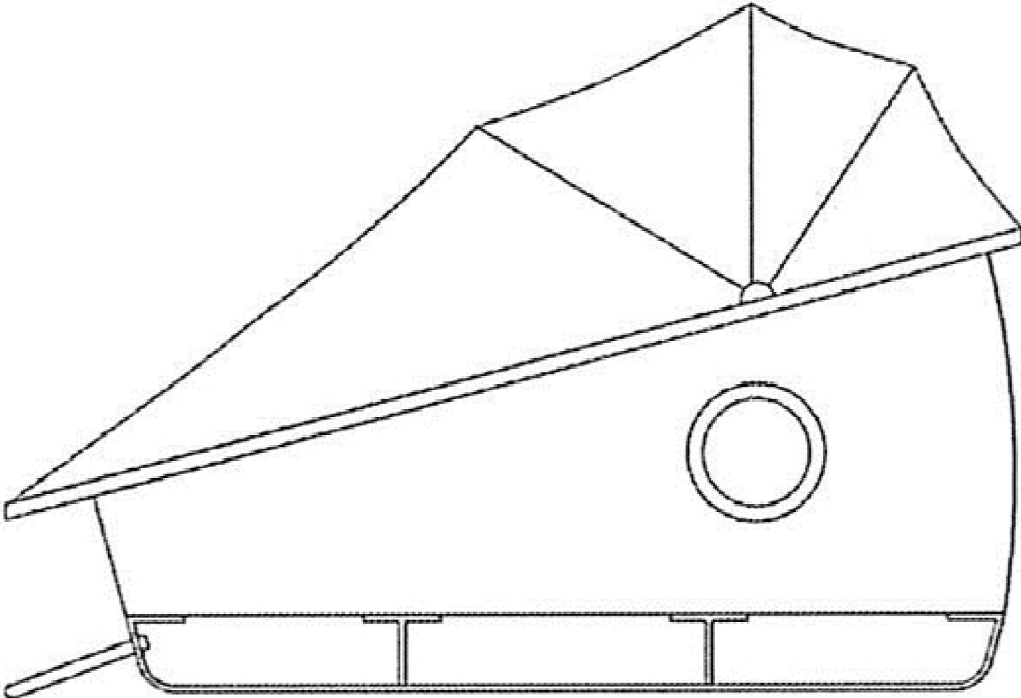
2016/0120323 A1\* 5/2016 Rivera ..... A47C 1/143  
297/184.15  
2017/0164742 A1\* 6/2017 Hay ..... A47C 1/0242

\* cited by examiner

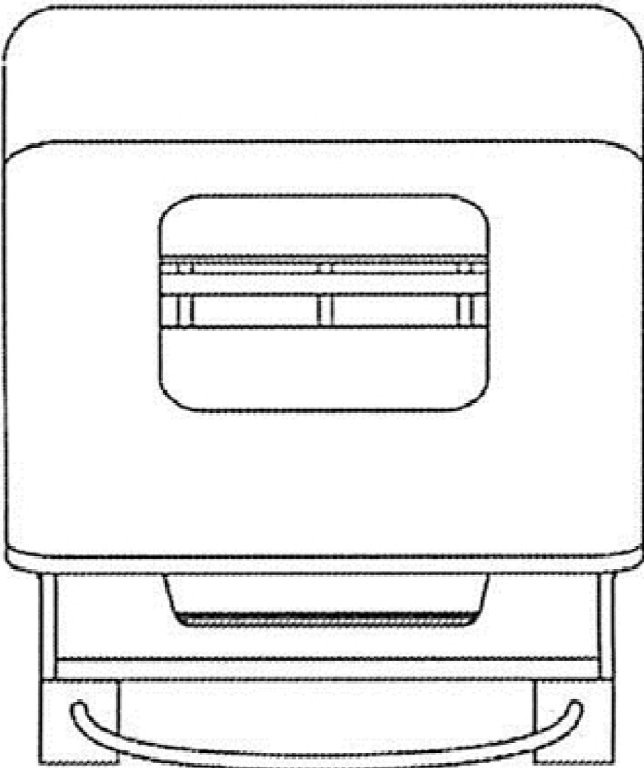
**1.1**



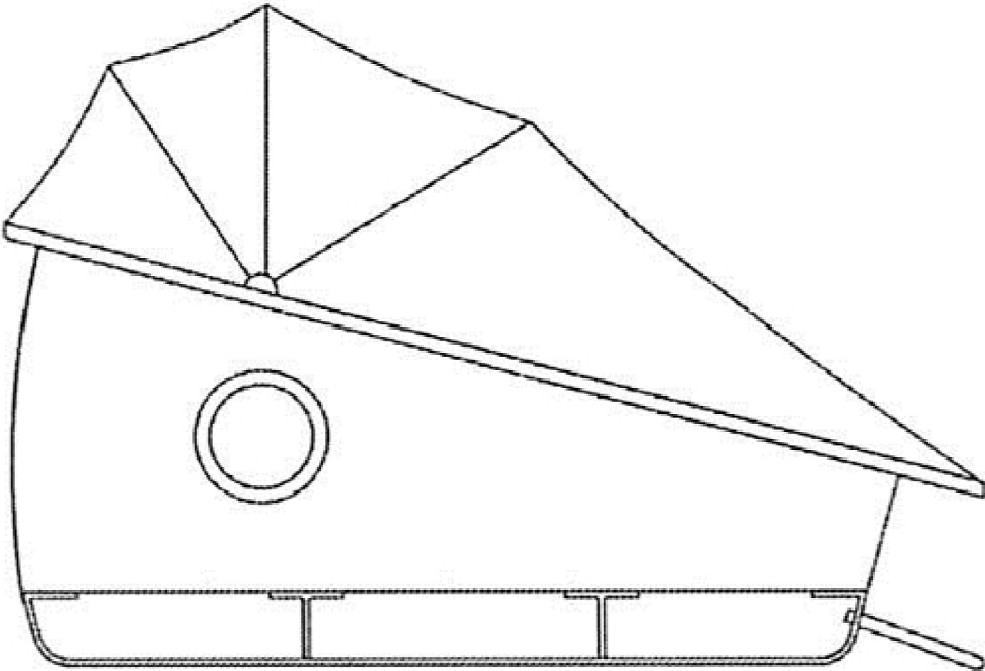
1.2



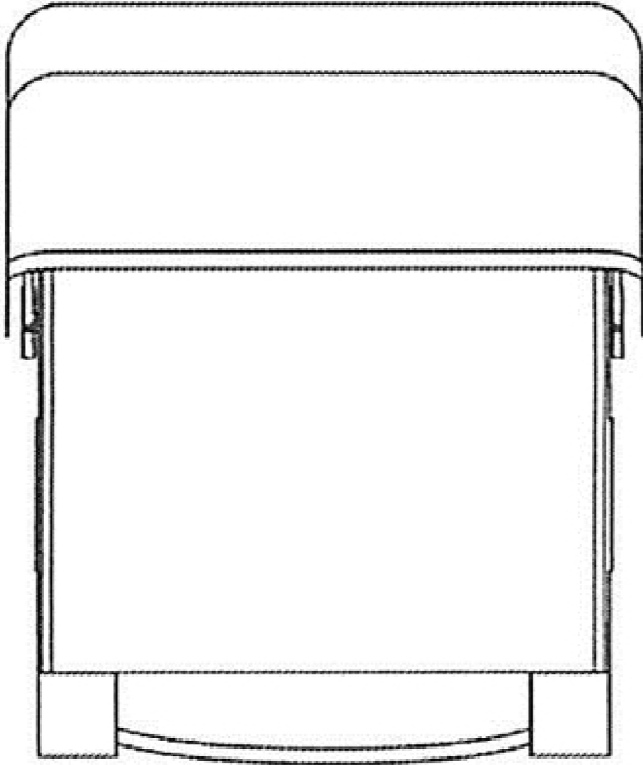
**1.3**



**1.4**

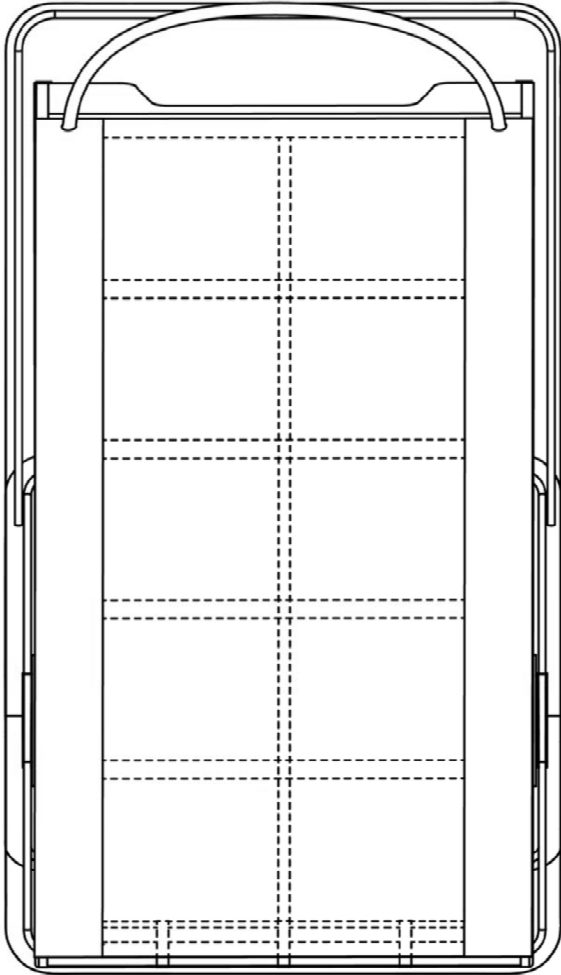


**1.5**

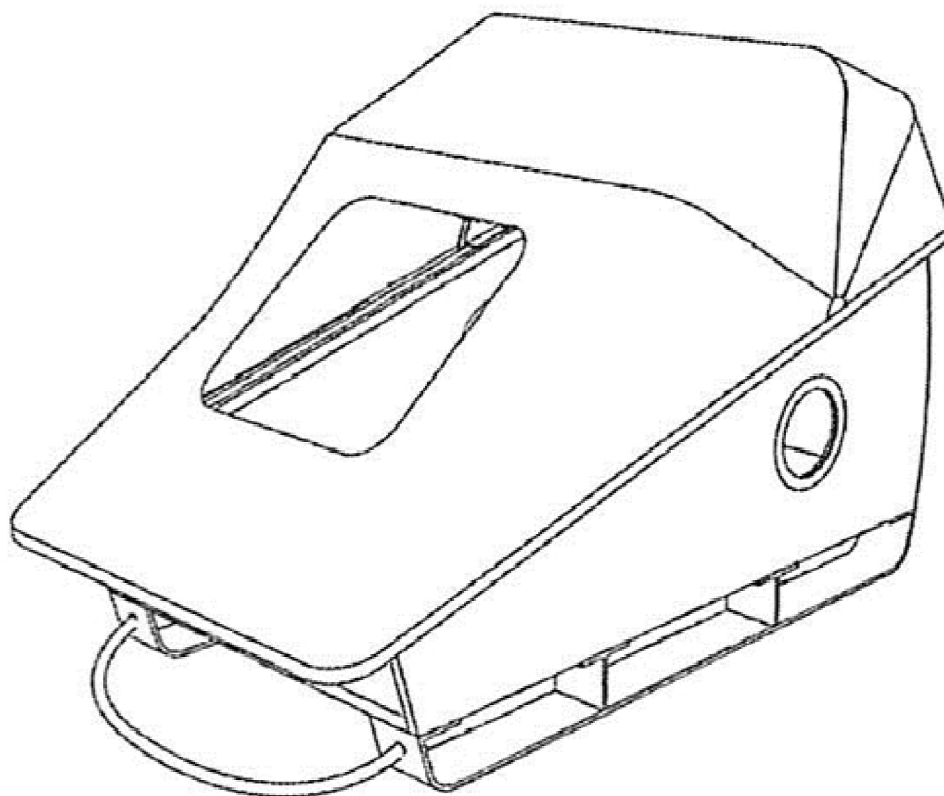




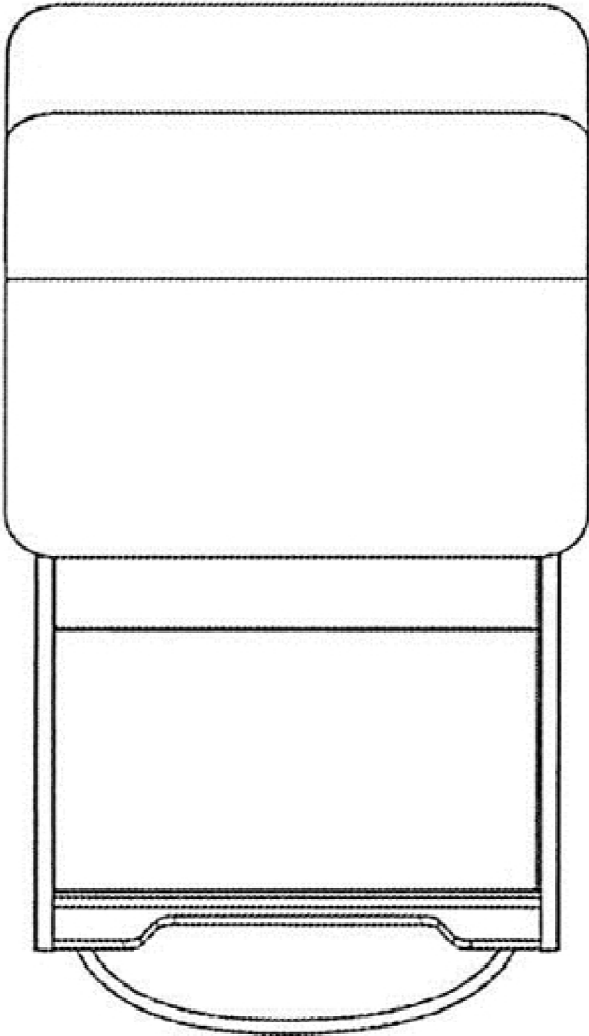
**1.6**



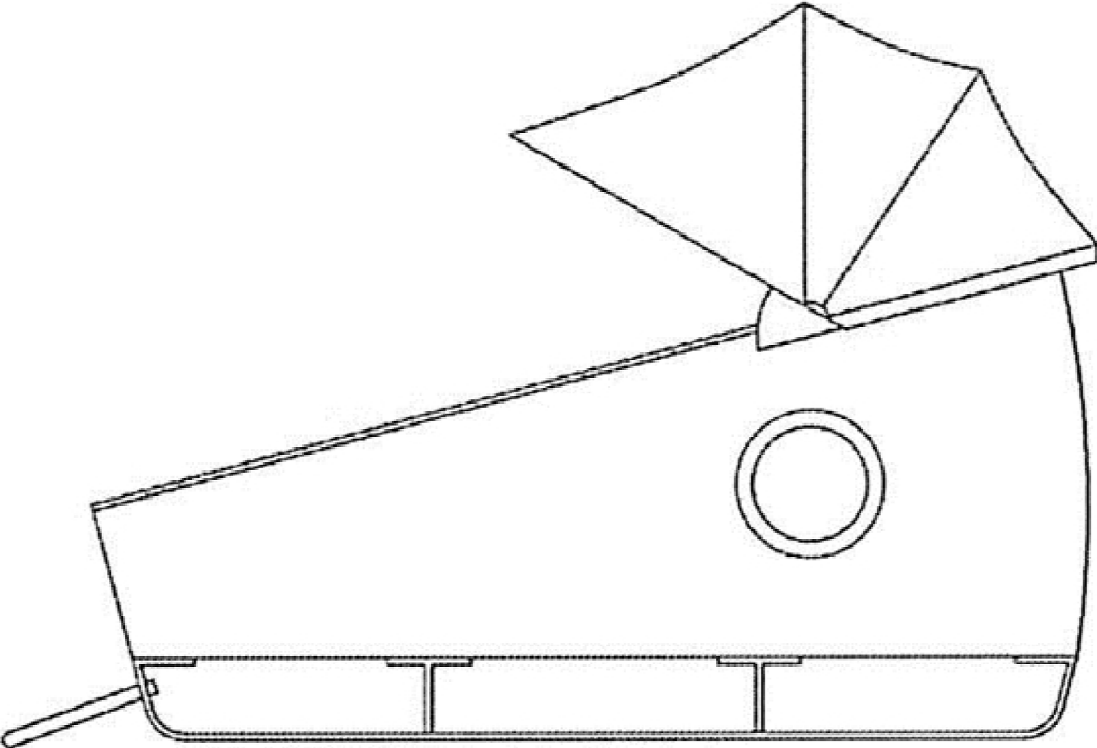
**1.7**



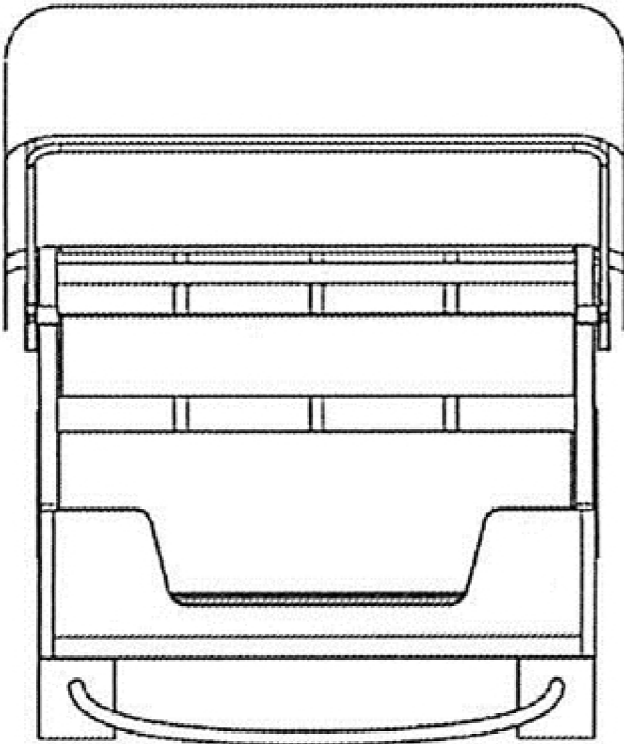
**1.8**



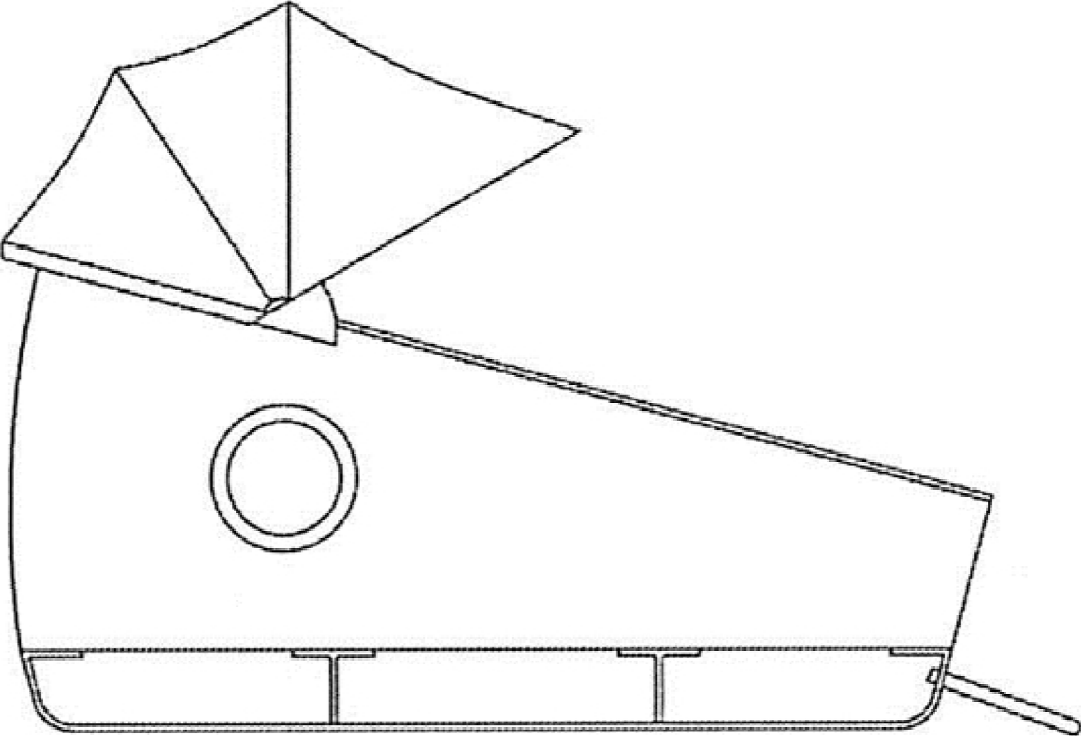
1.9



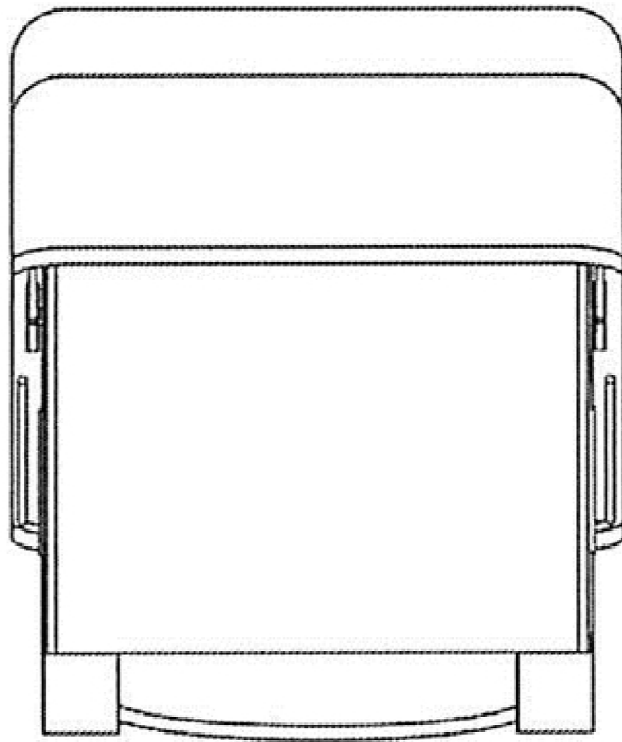
**1.10**



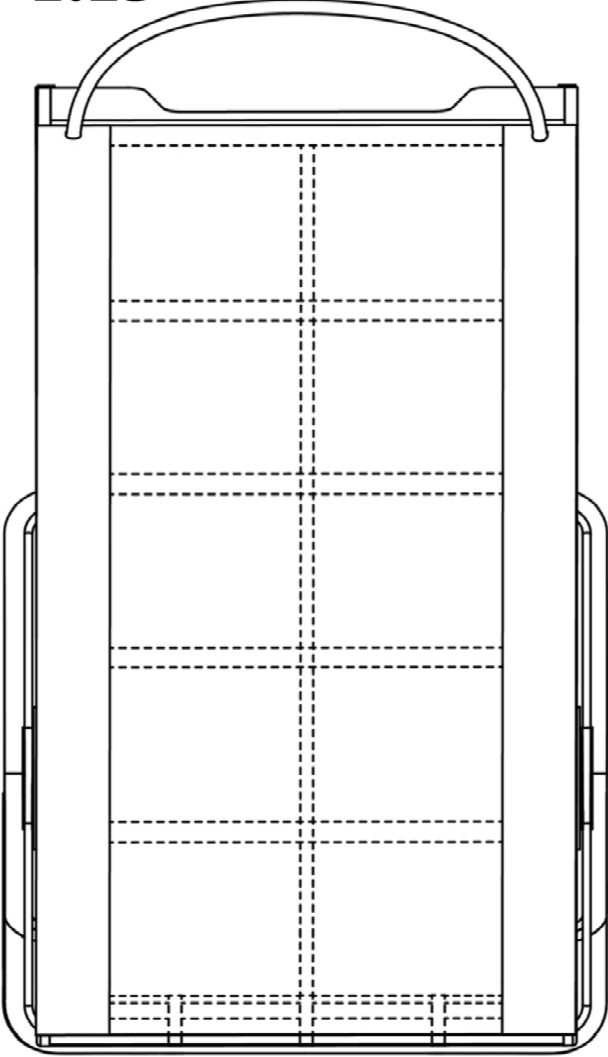
**1.11**



# 1.12



**1.13**





**1.14**

