

# PATENTSCOPE

The free global search engine  
for technology information

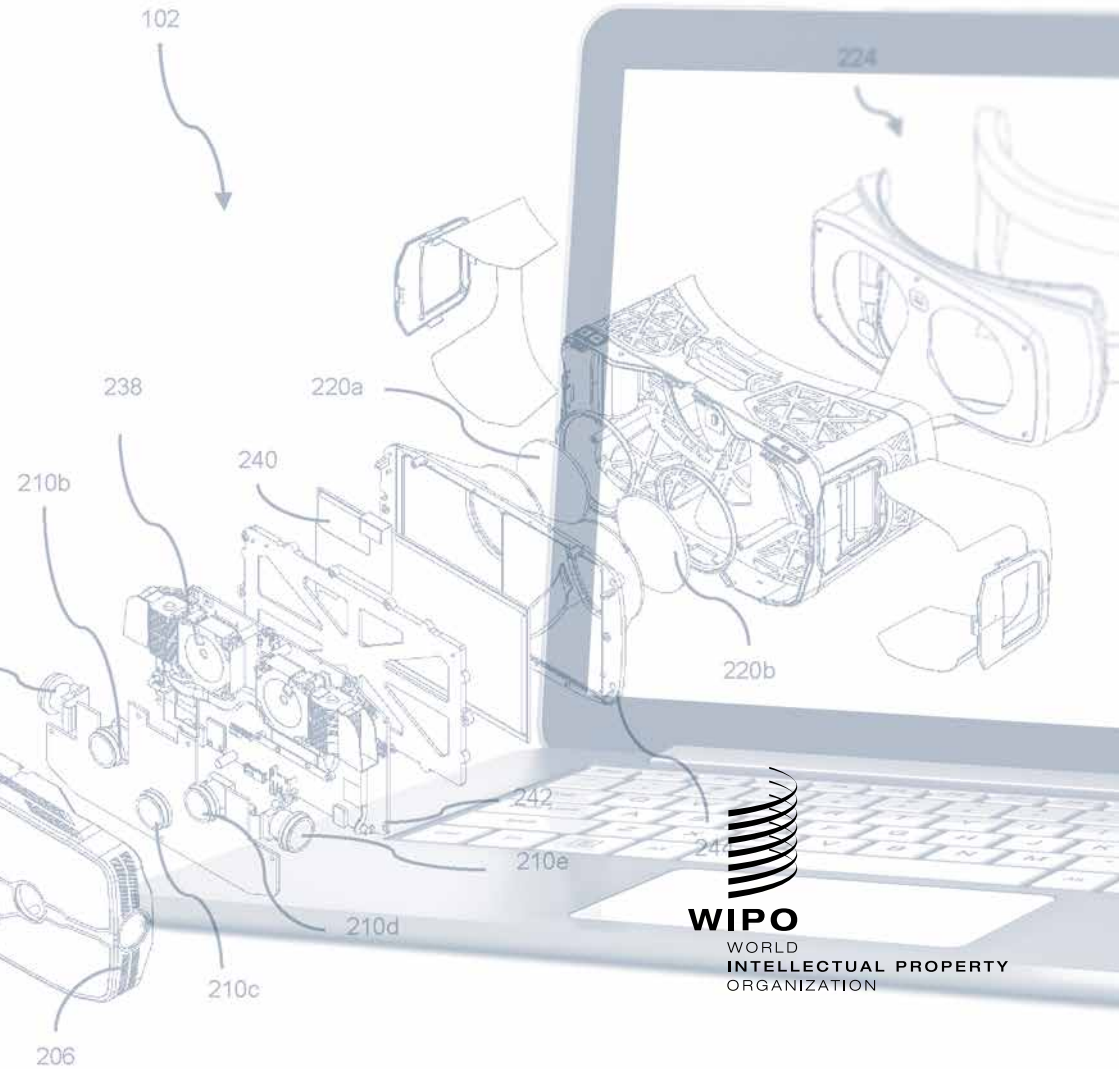
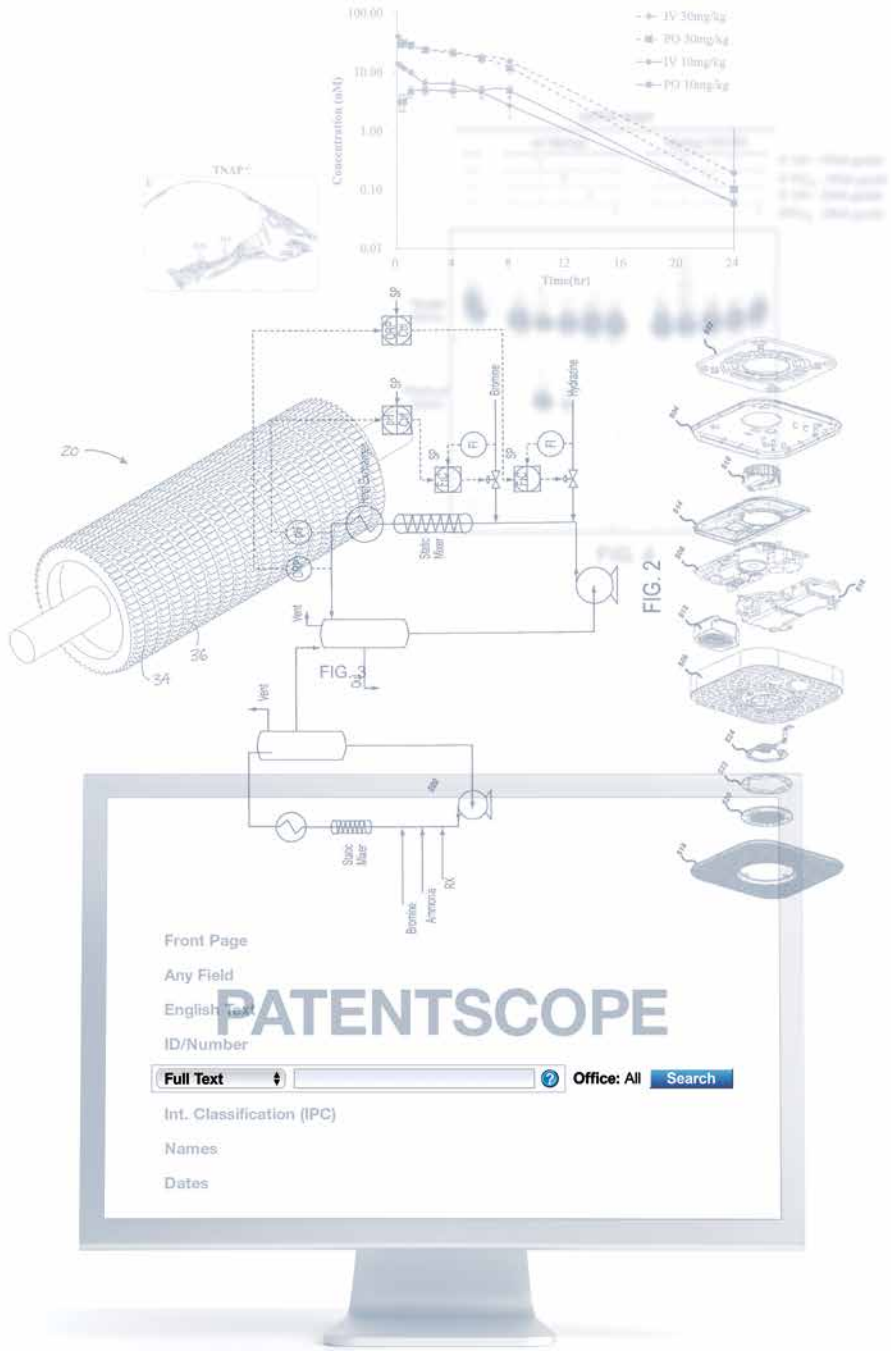


Fig. 1

PATENTSCOPE



# **PATENTSCOPE is a free online search engine which can help you make the most of patent data**

By searching the vast pool of technology information in PATENTSCOPE, you can:

- Check if an invention has already been patented so you can avoid unnecessary R&D or patent filing costs.
- Find technologies that are no longer protected by patent – your business may be able to exploit them.
- Monitor your competitors' patent activity.
- Study patent trends for particular technologies and territories. This is valuable business intelligence and can also inform policy-making in government and the public sector.

# Patent documents are an incredibly rich information source for inventors, researchers, enterprises and policy-makers

PATENTSCOPE is run by the World Intellectual Property Organization (WIPO), the specialized agency of the United Nations that deals with intellectual property (IP) issues.

PATENTSCOPE contains a huge amount of information:

- Patent applications under the Patent Cooperation Treaty, the global patent system which WIPO operates.
- Patent documents from participating regional patent offices, including the African Regional Intellectual Property Organization (ARIPO), the Eurasian Patent Organization (EAPO) and the European Patent Office (EPO).
- Patent documents from many national patent collections, including China, Japan, the Republic of Korea and the United States.

Altogether, there are **tens of millions of documents** in PATENTSCOPE and it is growing all the time.

---

*“I like that the database is international and it covers most of the world’s applications... It is also beneficial that I can export the data into a spreadsheet. That helped me organize and analyze my results more efficiently.”*

**Amanda Wood**

*Technical and marketing writer, Sweden*

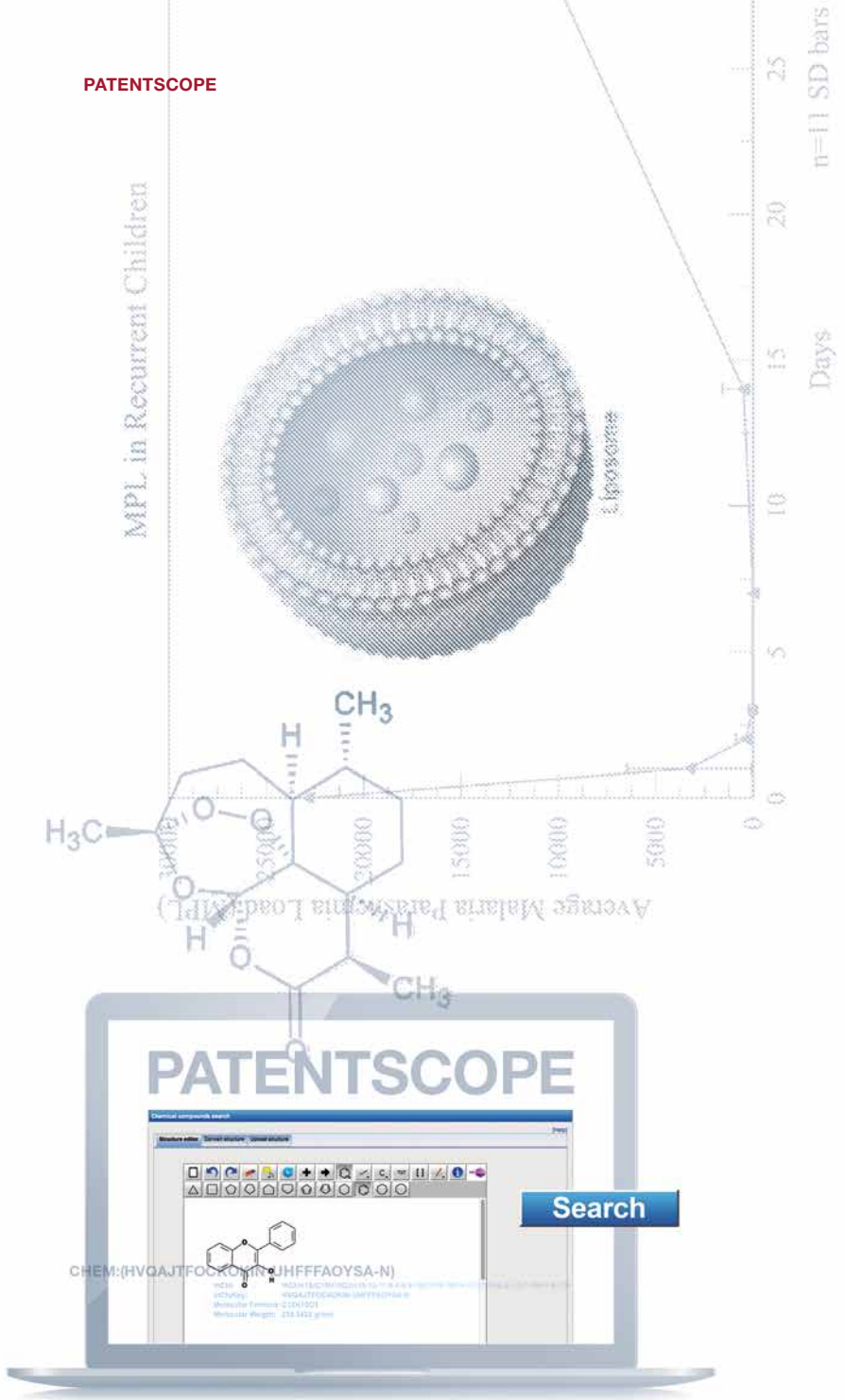
# **The PATENTSCOPE search engine is immensely powerful but easy to use. You can even use it on your phone**

The PATENTSCOPE homepage features a simple search window. Just type in a term to search the patent title, date, number, abstract, inventor and applicant for every document in the system.

If you prefer, you can choose one of seven other preset search fields in the Field Combination Interface, including full-text searching of many documents.

You can narrow down your search by specifying particular national, regional or international data collections within PATENTSCOPE. And you can sort search results by application or publication date, or relevance to your search terms.

Fig. 4



---

*“PATENTSCOPE is a comprehensive resource. It has gravitas plus features not usually found on otherwise free services.”*

**Ron Kaminecki**  
*Patent search professional, U.S.A.*

There are also more advanced options. For instance, PATENTSCOPE lets you combine search terms, and you can use proximity operators, range operators, wildcard searches and fuzzy searches. You can even search for chemical formulas thanks to cutting-edge functionality, making patent searches in the fields of chemistry and pharmacology much easier.

Comprehensive online help explains how to do all this.

## The advanced search options let you customize PATENTSCOPE to find exactly what you are looking for

And you can:

- Save your searches and preferences.
- Export search results to Microsoft Excel for ease of reference.
- Set up alerts to monitor changes to patent portfolios that interest you.

To set up alerts, save custom searches or export search results, you will need a PATENTSCOPE user account, but that is **completely free of charge**.

## **The PATENTSCOPE search interface is available in no fewer than 10 languages**

PATENTSCOPE is a truly global resource which lets you access patent information from many different countries.

And whichever language you use to search, you can find relevant documents in more than a dozen languages.

PATENTSCOPE includes a sophisticated multilingual search tool called CLIR. You can use this to search for up to five keywords.

CLIR will automatically look for synonyms of your keywords in the original search language, then search for translations of those keywords and synonyms in many other languages, so you can be sure of finding all relevant results.



---

*“I like the vast, almost universal, coverage and the versatile search language features... I have sent many clients the link to PATENTSCOPE and will continue to do so.”*

**Jonathan Topper**  
*Patent attorney, Israel*

## **PATENTSCOPE also lets you read documents in other languages**

WIPO has developed a dedicated tool using state-of-the-art neural machine translation technology. The tool has been “trained” exclusively on patent texts, making it particularly accurate and reliable.

With the free WIPO Translate tool, you can translate any patent documents from and to 14 different language pairs.

Other free translation tools have also been integrated into PATENTSCOPE, so you can also translate documents using

- Google Translate,
- Microsoft Bing Translator, and
- Baidu Translate.

It is really easy to get started with PATENTSCOPE.

The search interface is designed to be intuitive so you can use it straightaway for simple searches.

And there is lots of online support and training to help you get maximum value from all the available resources.

## **Video tutorials explain how to use key features and tools**

Each video is only a couple of minutes long, so you can quickly learn about the topics that interest you.

To access all the videos and other help resources, see the Help menu on the PATENTSCOPE homepage.

---

*“I would always recommend the WIPO database as a reliable, easy-to-use ‘one-stop global shop’ for free information about patents and, more broadly, products or processes based on new technologies.”*

**John Turner**  
*Scientist and technology investor,  
Australia*

PATENTSCOPE includes a comprehensive Help menu offering

- detailed advice on searching,
- up-to-date information on data coverage, and
- answers to frequently asked questions.

**For more in-depth  
discussion of particular  
issues, you can sign  
up for a free online  
webinar every month**

Previous webinars are available to download, and you can contact WIPO to let us know what you would like us to cover in future. Just visit [www.wipo.int/patentscope/en/webinar](http://www.wipo.int/patentscope/en/webinar).

PATENTSCOPE

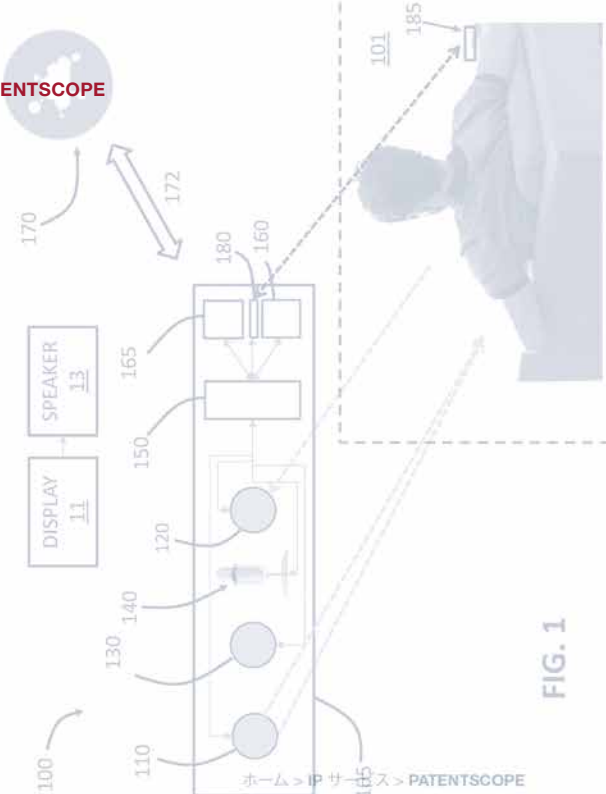


FIG. 1



PATENTSCOPE 商标网 страница > Услуги в области ИС > PATENTSCOPE

World Intellectual Property Organization

Search Collections - Data Coverage

Country	Start Date	Abstract	Doc Images	OCR (Full-text)	Included	No records	Note
PCT	20.10.1979 - 31.07.2017	20.10.1979 - 31.07.2017	310660	OCR (Full-text)	Included	3,106,640	
Argentina	12.02.1966 - 27.04.2017	01.11.1990 - 27.04.2017	9741	Total records: 9554	Search: 8554	153,483	
Australia	15.01.1900 - 18.08.2017	08.01.1981 - 18.08.2017		Total records: 478798		1,626,526	
Bahrain	10.03.1967 - 29.08.2005	10.03.1967 - 29.08.2005		English: 475768		1,411	
Brazil	26.04.1972 - 21.08.2017	26.04.1989 - 21.08.2017	230196	Total records: 228871	Portuguese: 228871	665,412	
Canada	12.08.1869 - 01.07.2017	01.07.2017		Total records: 1143393	English: 1008990	2,265,685	
China	20.04.2000 - 26.05.2016	20.04.2000 - 26.05.2016		French: 4395		26,072	
China	10.07.1988 - 24.08.2019	10.07.1988 - 24.08.2017		Total records: 9258821	Chinese: 7208871	12,566,873	
Colombia	14.02.1996 - 01.07.2016	14.02.1995 - 01.07.2016	1032	Total records: 387	Spanish: 387	22,605	
Costa Rica	14.07.1969 - 30.07.2016	14.07.1989 - 30.07.2016		Total records: 2598	Spanish: 2598	8,871	
Cuba	13.03.1956 - 06.06.2017	13.03.1968 - 06.06.2017	2079	Total records: 2068	Spanish: 2068	3,850	
Denmark	26.03.1896 - 04.07.2017	25.08.1979 - 04.07.2017		Total records: 1508	Spanish: 1508	398,893	
Dominican Rep.	11.05.1964 - 01.07.2017	12.02.1966 - 01.07.2017	1990	Total records: 1508	Spanish: 1508	3,393	
Ecuador	02.10.1990 - 01.05.2015	02.10.1990 - 01.05.2015		Total records: 387		4,169	
Egypt	02.01.2002 - 31.10.2014	02.01.2002 - 01.06.2013		Total records: 42719	Russian: 42719	4,102	
El Salvador	11.03.1970 - 18.02.2017	11.03.1970 - 18.02.2017		Total records: 15851	French: 15851	1,832	
Estonia	18.10.1994 - 16.06.2017	18.10.1995 - 16.05.2017		Total records: 218358	German: 218358	6,955	
European Patent Office	02.07.1956 - 01.04.2017	02.07.1956 - 01.04.2017	34181	Total records: 61723	German: 61723	45,023	
France	03.07.1859 - 08.07.2017	27.11.1865 - 08.07.2017		Total records: 138912	French: 138912	2,416,367	
Germany	03.07.1877 - 30.08.2017	30.10.1906 - 30.06.2017		Total records: 218358	German: 218358	6,862,081	
GermanyDOR (data)	15.06.1851 - 23.04.1989	08.08.1967 - 23.04.1989		Total records: 61723	German: 61723	277,248	
Guatemala	31.10.1861 - 22.03.2017	31.12.1961 - 23.03.2017		Total records: 107181	English: 107181	6,867	
Honduras	30.01.2004 - 28.04.2015	30.01.2004 - 28.04.2015		Total records: 107181	English: 107181	457	
Israel	02.01.1950 - 31.03.2017	17.07.2009 - 01.06.2015	119141	Total records: 107181	English: 107181	168,509	
Japan	08.03.1883 - 07.07.2018	08.01.1893 - 07.07.2017		Total records: 227317	Japanese: 227317	9,115,529	
Jordan	31.12.1989 - 16.03.2016	31.12.1989 - 16.03.2016		Total records: 11039	French: 11039	2,100	
Kenya	12.05.1996 - 01.02.2011	12.05.1996 - 01.02.2011		Total records: 17968	Spanish: 17968	373	
Mexico	02.12.1991 - 06.04.2017	02.12.1991 - 06.04.2017	179436	Total records: 17968	Spanish: 17968	285,724	
Morocco	07.07.1877 - 31.12.2016	02.04.1999 - 31.12.2016	11002	Total records: 11039	French: 11039	17,313	
Nicaragua	23.12.1982 - 07.02.2014	23.12.1982 - 07.02.2014		Total records: 11039	French: 11039	971	
Paraguay	10.03.1990 - 30.10.2013	10.03.1990 - 30.10.2013		Total records: 11039	French: 11039	2,943	
Peru	22.02.1989 - 01.08.2017	22.02.1989 - 01.01.2013		Total records: 38103		18,508	
Portugal	24.06.1967 - 01.07.2016	02.02.1976 - 01.07.2016	3119	Total records: 38103		110,316	

---

*“I have recommended your database to my colleagues, R&D engineers and friends working in the patent field for many reasons: the friendly UI, it’s easy to use and get results, the data coverage, and the analysis function allows quick review.”*

**Winnie Ju**

*Senior IP manager, Taiwan, Province of China*

## **WIPO aims to make the global IP system work for everyone, so we are keen to make sure PATENTSCOPE meets user needs**

You can post questions or comments on the PATENTSCOPE Forum, available via the Help menu, and we also solicit feedback through our monthly webinars as well as periodic surveys of users.

PATENTSCOPE is getting better and better. The data collection is growing all the time, and we are adding new features to enhance the user experience.

Visit **[www.patentscope.wipo.int](http://www.patentscope.wipo.int)** and join our user community.

PATENTSCOPE

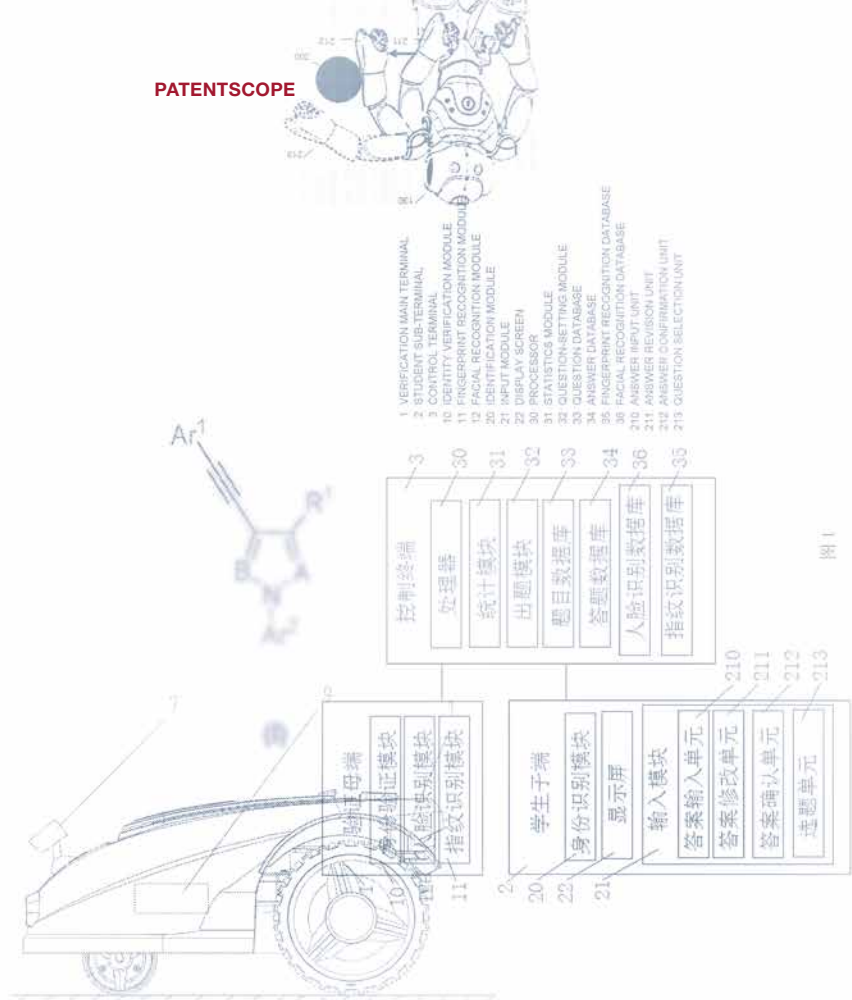


图 1



图 4

---

*“PATENTSCOPE is a one-of-a kind-database which provides a variety of search tools for millions of patent documents in addition to easy-to-use analysis tools for search results. Furthermore, high-quality machine translation for multiple languages is available in the database and the CLIR function enables us to search for documents all over the world by just one language. Even more surprising – we can use all these functions for free.”*

**Hiroshi Oyama**  
*Denka Co. Ltd, Japan*

**“I believe PATENTSCOPE continues to go forward with its search and translation functions, contributing significantly to the highest efficiency of patent search.”**

**Toshiyuki Ando**  
*Kao Corporation, Japan*

World Intellectual Property Organization  
34, chemin des Colombettes  
P.O. Box 18  
CH-1211 Geneva 20  
Switzerland

Tel: +41 22 338 91 11  
Fax: +41 22 733 54 28

For contact details of WIPO's  
External Offices visit:  
[www.wipo.int/about-wipo/en/offices/](http://www.wipo.int/about-wipo/en/offices/)

© WIPO, 2017



Attribution 3.0 IGO license  
(CC BY 3.0 IGO)

The CC license does not apply to  
non-WIPO content in this publication.

210a

