

The webinar will begin in:



0:00



WELCOME



Chat Raise Hand Q&A

Questions/concerns

patentscope@wipo.int

Slowenisch

Rumänisch

Collins
Gem

Russian

COLLINS

SPANISH

Französisch - Deutsch
Deutsch - Französisch

Arbitu

ROMANIAN-ENGLISH
ENGLISH-ROMANIAN

W

spanisch
deutsch
deutsch
spanisch

Sto

Praxis
Wörterbuch
Klett




WIPO Pearl

SIMPLE SEARCH

- WIPO Translate
- WIPO Pearl**
- IPC Green Inventory
- Portal to patent registers

Using PATENTSCOPE you can search 102 million patent documents including 4.3 million published international patent applications (PCT). [Detailed coverage information](#)
PCT publication 11/2022 [17.03.2022] is now available [here](#). The next PCT publication 12/2022 is scheduled for 24.03.2022. [More](#)
Check out the [new PATENTSCOPE features](#): CPC, NPL, Families ...
[Search Facility to Support COVID-19 Innovation Efforts](#)

Field	▼	Search terms...	
Front Page			

Query Examples

WIPO Pearl

- 25,000 concepts, over 220,000 terms
- 10 languages
- Concept maps

- Linked to PATENTSCOPE

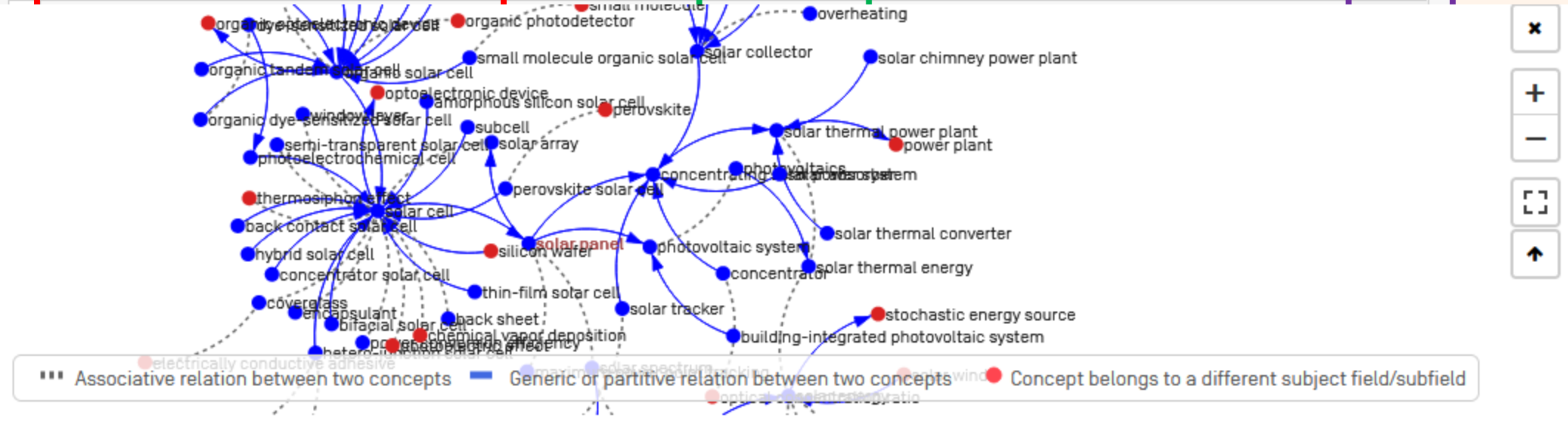
LINGUISTIC SEARCH CONCEPT MAP SEARCH

[API](#) [COVID-19 GLOSSARY](#)



Search options | Reset

AR > لوح شمسي	Reliability 3 / 4	...
DE > Solarmodul	Reliability 3 / 4	...
EN > solar panel	Reliability 3 / 4	...



PT > painel solar	Reliability 3 / 4
RU > солнечная панель	Reliability 3 / 4
ZH > 太阳能电池板(tàiyángnéngdiànchíbǎn)	Reliability 3 / 4

PATENTSCOPE [Images](#) [Concept map](#) ...

🔋 充电
🏠 电源
🏠 屋顶
👷 钙钛
🌊 能源
🌱 dreamstime
☀️ 太阳能充电
🏠 薄膜太阳能
📷 库存照片
⚡ 发电



SGM系列120W太阳能电...
szsung.com



太阳能电池板制造是否使用稀土? - pv ma...
pv-magazine-china.com



冬天太阳能电池板的效率会受影响吗...
webcameex.com



家用太阳能电池板价格是多少钱一块-华纽
hbxingchi.com



浮动太阳能电池板市场的主要公司与未来预测...
coalstudy.com



太阳能电池板的类型: 哪一种是最佳选择
zh-cn.constructionreviewonline.com



太阳能电池板太阳能电池板怎么用? - 大业商务...
m.dyecn.com



闪电客太阳能电池组件XKD-100...
product.suning.com



太阳能电池板、太阳能逆变器的类型说明|自制电路项目- ...
vertical2.com



太阳能电池板是
igrazadecu.com



▶ AR > لوح شمسي	Reliability 3 / 4			...
▶ DE > Solarmodul	Reliability 3 / 4			...
▶ EN > solar panel	Reliability 3 / 4			...
▶ ES > panel solar	Reliability 3 / 4	PATENTSCOPE	Images	Concept map
▶ FR > panneau solaire	Reliability 3 / 4			...
▶ > module solaire	Reliability 3 / 4			...
▶ JA > 太陽電池パネル[たいようでんちパネル]	Reliability 3 / 4			...
▶ > ソーラーパネル	Reliability 3 / 4			...
▶ KO > 태양전지판	Reliability 3 / 4			...
▶ PT > painel solar	Reliability 3 / 4			...
▶ RU > солнечная панель	Reliability 3 / 4			...
▶ ZH > 太阳能电池板[tàiyángnéngdiànchíbǎn]	Reliability 3 / 4			...

ES_ALLTXT:"panel solar"



2,497 results Offices all Languages es Stemming true Single Family Member false Include NPL false



Sort: Relevance ▼ Per page: 10 ▼ View: All ▼

< 1 / 250 >

Machine translation ▼

1. **P2009000273** **PANEL SOLAR ANTICICLONICO**

DO - 28.02.2010

Int.Class [P](#) [?](#) Appl.No 2009000273 Applicant JACQUES GADDARKHAN Inventor JACQUES GADDARKHAN

El presente invento ester relacionado con un sistema de captación de energia solar que comprende un **panel solar** [1] con una cara activa [13] y al menos un montante [2, 3] para sostener dicho **panel solar**. De acuerdo con el invento, el **panel solar** ester unido al montante de forma pivotante y dicho montante comprende al menos una articulación [15] adecuada para colocar la cara activa [13] del **panel solar** en una posición de protección, de cara al suelo, en caso de viento violento.

2. **2851074** **CONJUNTO DE PANEL SOLAR DIRECCIONAL**

ES - 02.09.2021

Int.Class [F24S 23/70](#) [?](#) Appl.No 18707269 Applicant ELEMENTAL ENGINEERING AG Inventor SAEED, Osman

Un conjunto de **panel solar** [10] comprende un mástil [30] para ser anclado sobre o en el suelo [31], una plataforma de **panel solar** [20, 120] orientada al cielo y uno o más mecanismos direccionales [40; 404, 414] que conectan un extremo libre superior del mástil [30] con la plataforma de **panel solar** [20, 120], permitiendo que un **panel solar** [121] sobre la plataforma [20, 120] sea dirigido en al menos una orientación favorable hacia el sol, caracterizado por que uno o más elementos ópticos [50; 161, 162] están dispuestos en todas o en una mayoría de las partes de los bordes [24] de la plataforma [20, 120] alrededor del **panel solar** dirigiendo la luz concentrada bajo la plataforma [20, 120] o hacia su lado inferior [22], y después hacia el suelo [31] debajo o cerca del conjunto de **panel solar** [10], en donde uno o más de los elementos ópticos [161, 162] están montados en un lado interior de un perfil [160], en donde el perfil [160] está conectado por medio de al menos una lámina [164] a la plataforma de **panel solar** [120], en donde al menos una lámina [164] está conectada con un elemento de accionamiento dentro de la plataforma [120], en donde la conexión de al menos una lámina [164] está adaptada para extender el perfil [160] desde la plataforma [120] creando un pasaje [124] entre el perfil [160] y la plataforma [120].

3. **1161411** **PANEL SOLAR**

ES - 21.07.2016

Int.Class [F24J 2/02](#) [?](#) Appl.No 201630690 Applicant BDR THERMEA GROUP B.V. Inventor MOGRO LEON Oscar

Solar panel, comprising: - an absorber; - an insulating layer [3] arranged at least below said absorber, - a transparent cover [4] disposed above said absorber, separated therefrom a predetermined distance, and - a structural frame [5] having one or more side walls surrounding the periphery of the insulating layer [3] and that of said absorber, and whose upper edges delimit an upper opening closed by said transparent cover [4]; The solar panel being characterized in that it comprises spacer elements [6] distributed between said transparent cover [4] and said absorber to prevent contact between both if they approach each other by deformation or displacement. [Machine-translation by Google Translate, not legally binding]

4. **2323422** **CAJA DE CONEXIONES PARA PANEL SOLAR Y PANEL SOLAR**

ES - 15.07.2009

Int.Class [H01R 4/48](#) [?](#) Appl.No 04015561 Applicant TE Connectivity Germany GmbH Inventor Feldmeier, Günter

Caia de conexiones [1, 22, 40] para un **panel solar** [28] que comprende un alojamiento [2, 3, 16, 25, 24, 37, 38, 49] que comprende elementos de contacto [10, 20] para conectarse eléctricamente a los contactos [41] del **panel solar** [28], el

SIMPLE SEARCH

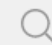
Using PATENTSCOPE you can search 102 million patent documents including 4.3 million published international patent applications (PCT). [Detailed coverage information](#)

PCT publication 11/2022 [17.03.2022] is now available [here](#). The next PCT publication 12/2022 is scheduled for 24.03.2022. [More](#)

Check out the [new PATENTSCOPE features](#): CPC, NPL, Families ...

[Search Facility to Support COVID-19 Innovation Efforts](#)

- Simple
- Advanced Search
- Field Combination
- Cross Lingual Expansion**
- Chemical compounds (login required)

Field	▼	Search terms...	
Front Page			

Query Examples

CLIR: interface

CROSS LINGUAL EXPANSION ▾

"solar panel"

Query Language

English

The language of your query

Expansion Mode:

Automatic

Supervised

Use the **Supervised** mode to select the technical domains, the relevant variants, the languages to translate your query to and the fields to search by

Precision level

High

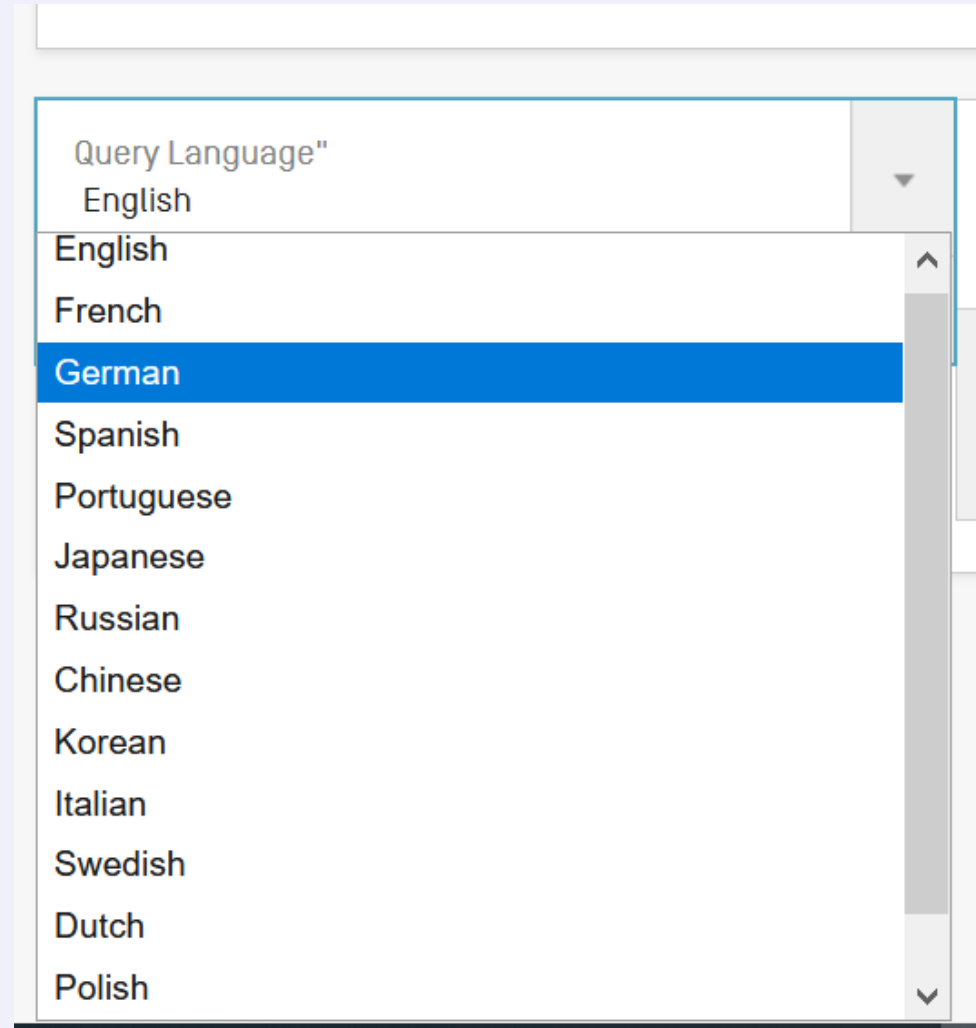
Influences the precision of the suggested variants.

Highest level considers only the most relevant ones [less suggested variants]

Lowest level considers the less relevant as well [more suggested variants]

Search

CLIR: query language



Mode: supervised or automatic

Expansion Mode:

Automatic

Supervised

Use the **Supervised** mode to select the technical domains, the relevant variants, the languages to translate your query to and the fields to search by

Precision level

Precision level High	▼
Highest	
High	
Intermediate	
Low	
Lowest	

CLIR: precision vs recall



Precision = Exactness or fidelity
Everything returned is relevant



Not all relevant items might have been found



Recall = Completeness
All is included, nothing is missed



A lot of useless results could be returned
Sorting is necessary

CLIR: an example

CROSS LINGUAL EXPANSION ▾

Search terms... *

"solar panel"

Query Language

English

The language of your query

Expansion Mode:

Automatic

Supervised

Use the **Supervised** mode to select the technical domains, the relevant variants, the languages to translate your query to and the fields to search by

Precision level

High

Influences the precision of the suggested variants.

Highest level considers only the most relevant ones [less suggested variants]

Lowest level considers the less relevant as well [more suggested variants]

Search

EN_AB:("solar panel") OR FR_AB:("panneau solaire") OR DE_AB:("Solarpaneel" OR "Solarpanel" OR "Sonnenkollektor" OR "Sonnenpaneel" OR "Solartafelherstellung" OR "Solartafel" OR "Solarmoduls")

160,627 results Offices all Languages en Stemming true Single Family Member false Include NPL false



FULL QUERY

Close

Edit

EN_AB:("solar panel") OR FR_AB:("panneau solaire") OR DE_AB:("Solarpaneel" OR "Solarpanel" OR "Sonnenkollektor" OR "Sonnenpaneel" OR "Solartafelherstellung" OR "Solartafel" OR "Solarmoduls") OR ES_AB:("panel solar") OR PT_AB:("painel solar" OR "painéis solares e seu processo" OR "placa solar") OR JA_AB:("ソーラーパネル" OR "太陽電池モジュール" OR "ソーラパネルコ" OR "太陽電池パネル" OR "太陽パネルまた" OR "ソーラパネルによる" OR "のソーラパネル" OR "ソーラパネル製造") OR RU_AB:("солнечная панель" OR "панели солнечной батареи" OR "солнечная клеевую" OR "панель солнечной") OR ZH_AB:("太阳能板" OR "太阳能电池板" OR "太阳能面板" OR "具有太阳能电池板") OR KO_AB:("태양 전지판의 전력값" OR "솔라 패널 제조" OR "구비한 태양 전지판" OR "태양 전지판" OR "태양열 집열판" OR "집광판" OR "솔라 패널의" OR "태양전지 패널" OR "이용한 태양광 집열판") OR IT_AB:("pannello solare" OR "pannelli solari comprendenti" OR "collettore solare") OR SV_AB:("solpanel" OR "solfångare") OR NL_AB:("zonnepaneel") OR PL_AB:("pod panel solarny") OR DA_AB:("solfanger")

into fitting portions 2U in the first long frame 12a and the second long frame 12b. Support portions 2Z support the fitting portions 2U from below. The fitting portions 2U each have a tapered shape expanding toward an opening 44 into which each of the outer edge portions 116 of the solar panel 110 is inserted.

3. [WO/2016/152570](#) RUBBER COMPOSITION FOR PHOTOVOLTAIC/THERMAL HYBRID SOLAR CELL MODULE OF SOLAR CELL

WO - 29.09.2016

Int.Class [H02S 40/44](#) ? Appl.No PCT/JP2016/057692 Applicant NISSHINBO MECHATRONICS INC. Inventor NAKAHAMA Hidenari

Provided is a rubber composition to be used in a hot-water producing section of a photovoltaic/thermal hybrid solar module that generates electricity on the solar panel surface side thereof and uses the heat therefrom to produce hot water on the reverse surface side. This rubber composition allows a power generating section and hot-water producing section to be simultaneously molded in an ordinary solar module molding line without cracking of crystalline silicon cells used in the solar panel and crushing of resin pipes used in the hot-water producing section.

4. [WO/2019/150585](#) SOLAR CELL MODULE MANUFACTURING METHOD, SOLAR CELL MODULE MANUFACTURING DEVICE, AND SOLAR CELL MODULE

WO - 08.08.2019

Int.Class [H02S 50/00](#) ? Appl.No PCT/JP2018/003874 Applicant MITSUBISHI ELECTRIC CORPORATION Inventor MORIKAWA, Hiroaki

This solar cell module manufacturing method includes a first step for directing X-rays toward a region where a first metal component and a second metal component constituting a solar panel are soldered together, and acquiring an X-ray transmission image in a region where soldering is to be carried out, which is the region where the first metal component and the second metal component overlap in a direction parallel to the in-plane direction of the solar panel. This solar cell module

Supervised mode

CROSS LINGUAL EXPANSION ▾

Search terms... *

"solar panel"

Query Language

English

The language of your query

Expansion Mode:

Automatic

Supervised

Use the **Supervised** mode to select the technical domains, the relevant variants, the languages to translate your query to and the fields to search by

Precision level

High

Influences the precision of the suggested variants.

Highest level considers only the most relevant ones [less suggested variants]

Lowest level considers the less relevant as well [more suggested variants]

Select Domains

CLIR: supervised

Query Language"

English

The language of your query

Expansion Mode:

Automatic

Supervised

Use the **Supervised** mode to select the technical domains, the relevant variants, the languages to translate your query to and the fields to search by

Precision level

High

Influences the precision of the suggested variants.

Highest level considers only the most relevant ones [less suggested variants]

Lowest level considers the less relevant as well [more suggested variants]

Select one or more technical domains relevant to your search terms

Domains *

Electrical Engineering & Electronics X Enerav. Fuels & Heat Transfer Eng X

Admin, Business, Management & Soc Sci

Aeronautics & Aerospace Engineering

Agriculture, Fisheries & Forestry

Audio, Audiovisual, Image & Video Tech

Automotive & Road Vehicle Engineering

Civil Engineering & Building Construction

Chemical & Materials Technology

Synonyms selection

▼ TERM 1: SOLAR PANEL

Keep term untranslated when expanding query in other languages

Domains

Audio, Audiovisual, Image & Video Tech X Electrical Engineering & Electronics X Energy, Fuels & Heat Transfer Eng X

Variants

Precision level

High

solar array

solar collector panel

sun panel

solar cell array

solar energy collection panel

solar cell panel

solar energy panel

Add variant

Start Over

Back

Translate Selected Terms

▼ TERM 1: SOLAR PANEL

Keep term untranslated when expanding query in other languages

Domains

Electrical Engineering & Electronics X Energy, Fuels & Heat Transfer Eng X

Variants

Precision level

Intermediate

- | | | |
|--|---|--|
| <input type="checkbox"/> solar array | <input type="checkbox"/> solar cell array | <input type="checkbox"/> solar cell panel ▼ |
| <input type="checkbox"/> solar collecting | <input type="checkbox"/> solar collector ▼ | <input type="checkbox"/> solar collector panel |
| <input type="checkbox"/> solar collection system | <input type="checkbox"/> solar energy collector | <input type="checkbox"/> solar heat collector |
| <input type="checkbox"/> solar modules | <input type="checkbox"/> solar power collector | <input type="checkbox"/> solar receiver |
| <input type="checkbox"/> solar thermal collector element | <input type="checkbox"/> sun catcher | <input type="checkbox"/> sun sensor |

Add variant

Start Over

Back

Translate Selected Terms

Search term *
solar panel

Query Language"

English

The language of your query

Expansion Mode:

Automatic

Supervised

Use the **Supervised** mode to select the technical domains, the relevant variants, the languages to translate your query to and the fields to search by

Precision level

High

Influences the precision of the suggested variants.

Highest level considers only the most relevant ones (less suggested variants)

Lowest level considers the less relevant as well (more suggested variants)

▶ **TERM 1: SOLAR PANEL**

▶ **TERM 2: SOLAR**

▶ **TERM 3: PANEL**

Start Over

Back

Translate Selected Terms

Summary of synonyms

English French German Spanish Portuguese Japanese Russian Chinese Korean Italian Swedish Dutch Polish Danish IPC

Search terms... *

"zonnepaneel" OR "zonnecollector" OR "zonnecollectorsysteem" OR "zonne energiecollec toren" OR "zonnecollectoren" OR "zonne energiecollector" OR "energiecollector" OR "opnemen van zonne energie"

Remove this translation

Field(s) you want to search: *

Abstract X

Keep CTRL key pressed to select multiple domains from the list

Acceptable distance between matched words:

Sentence

Stemming

Start Over

Back

Search

Field(s) you want to search: *
Abstract X

Acceptable distance between matched words:
Sentence

Stemming

Keep CTRL key pressed to select multiple domains from the list

Start Over Back Search

Field(s) you want to search: *
Abstract X

Title

Abstract

Description

Claims

Acceptable distance between matched words:
Sentence

Minimal

Sentence

Paragraph

Page

Unconstrained

Results

(EN_AB:(**"solar panel"** OR **"solar collector"** OR **"solar cell panel"** OR **"solar collector panel"** OR **"solar receiver"** OR **"solar energy collector"** OR **"solar power collector"** OR **"solar collection system"**) OR FR_



119,679 results Offices all Languages en Stemming true Single Family Member false Include NPL false



FULL QUERY

Close

Edit

(EN_AB:(**"solar panel"** OR **"solar collector"** OR **"solar cell panel"** OR **"solar collector panel"** OR **"solar receiver"** OR **"solar energy collector"** OR **"solar power collector"** OR **"solar collection system"**) OR FR_AB:(**"panneau solaire"** OR **"capteur solaire"** OR **"collecteur solaire"** OR **"récepteur solaire"** OR **"installation solaire"** OR **"capteur d'énergie solaire"** OR **"panneau de cellule solaire"** OR **"héliocapteurs"** OR **"collecteur d'énergie solaire"** OR **"fabrication de collecteurs solaires"** OR **"panneau de piles solaires"** OR **"panneau à cellules solaires"** OR **"panneau de cellules photovoltaïques"** OR **"panneau à capteur solaire"**) OR DE_AB:(**"Sonnenkollektor"** OR **"Solarkollektor"** OR **"Solarpaneel"** OR **"Solarpanel"** OR **"Solartafel"** OR **"Sonnenenergie"** OR **"Solaranlage"** OR **"Sonnenpaneel"** OR **"Solarzellentafel"** OR **"Solarzellenpanel"** OR **"Strahlungsempfänger"** OR **"Solarstrahlungsempfänger"** OR **"Solarenergiekollektor"** OR **"Solarzellenpaneels"**) OR ES_AB:(**"colector solar"** OR **"panel solar"** OR **"captador solar"** OR **"receptor solar"** OR **"captador de energía solar"** OR **"colectores de energía solar"** OR **"panel de células solar"** OR **"panel colector solar"** OR **"colector solar vacío"**) OR PT_AB:(**"seguidores solares"** OR **"captor solar"** OR **"coletor solar"** OR **"painel solar"** OR **"colector solar aperfeiçoado"** OR **"painéis solares e seu processo"** OR **"receptor solar"** OR **"coletor de energia solar"** OR **"colector de energia solar"** OR **"painéis soplares orientáveis"** OR **"placa solar"** OR **"painel colector solar"** OR **"captador de energia solar"** OR **"introduzidos em captadores solares"**) OR JA_AB:(**"太陽電池パネル"** OR **"ソーラーパネル"** OR **"太陽電池モジュール"** OR **"ソーラパネルコ"** OR **"ソーラパネルによる"** OR **"ソーラパネル製造"** OR **"太陽パネルまた"** OR **"太陽集熱器"** OR **"太陽熱パネル"** OR **"のソーラパネル"** OR **"太陽光集熱器"** OR **"太陽エネルギー収集"** OR **"伴う太陽集"** OR **"太陽光集光器"**) OR RU_AB:(**"солнечный коллектор"** OR **"солнечная панель"** OR **"коллекторасолнечной"** OR **"панели солнечной батареи"** OR **"и солнечным коллектором"** OR **"солнечная клеевую"** OR **"панель солнечной"** OR **"гелиоколлектор"** OR **"коллекторасолнечной энергии"** OR **"приемника солнечного излучения"** OR **"солнечного излучения и"** OR **"коллектор солнечной энергии для выработки"** OR **"собирающее устройство для солнечной энергии"** OR **"коллектора солнечной энергии"**) OR ZH_AB:(**"太阳能电池板"** OR **"太阳能板"** OR **"太阳能面板"** OR **"太阳能电池面板"** OR **"太阳能收集器"** OR **"阳光收集器"** OR **"太阳集能器"** OR **"太阳电池板"** OR **"太阳能集电机构"** OR **"太阳集热器"** OR **"太阳能接收器"** OR **"型太阳能聚集器"** OR **"太阳能聚集器"** OR **"太阳能采集器"**) OR KO_AB:(**"태양 전지판의 전력값"** OR **"솔라 패널 제조"** OR **"구비한 태양 전지판"** OR **"태양 전지판"** OR **"태양열 집열판"** OR **"태양열 흡수기"** OR **"집광판"** OR **"전원충전"** OR **"솔라 패널의"** OR **"장치를 사용한 태양열 컬렉터"** OR **"태양전지패널"** OR **"방한장치"** OR **"태양전지 패널"** OR **"이용한 태양광 집열판"**) OR IT_AB:(**"pannello solare ad"** OR **"collettori solari"** OR **"collettore solare"** OR **"pannello solare relativo"** OR **"pannelli solari comprendenti"** OR **"collettore fotovoltaico"** OR **"pannello solare perfezionato"** OR **"captatore di energia solare"** OR **"ricevitore solare"** OR **"collettore di energia solare"**) OR SV_AB:(**"solkollektor"** OR **"slofangare"** OR **"solpanel"** OR **"solfångare"** OR **"solkollektorer"** OR **"solfaangare"** OR **"solenergiuppsamlare"** OR **"solenergiuppsamlare"** OR **"solvermeanläggning"**) OR NL_AB:(**"zonnepaneel"** OR **"zonnepaneel"** OR **"zonnecollectorsysteem"** OR **"zonne energiecollec toren"** OR **"zonnecollectoren"** OR **"zonne energiecollector"** OR **"energiecollector"** OR **"opnemen van zonne energie"**) OR PL_AB:(**"pod panel solarny"** OR **"słonecznym"** OR **"oraz kolektor słoneczny"** OR **"kolektora słonecznego"**) OR DA_AB:(**"solfanger"** OR **"solenergi kollektor"** OR **"solfangerpanel"** OR **"solpanel"**)) AND ICF:(B01B OR B81 OR F16P OR F17 OR F21 OR F22 OR F23 OR F24 OR F25 OR F28 OR G09 OR G21 OR H01 OR H02 OR H02 OR H03 OR H05)

11. **215934512** 一种基于光伏发电的供水电冷暖四联供系统蓄能设备

Int.Class [H02J 7/35](#) ⓘ Appl.No 202121822417.8 Applicant 山东国融新能源有限公司 Inventor 李国

本实用新型涉及光伏发电设备技术领域，具体涉及一种基于光伏发电的供水电冷暖四联供系统蓄能设备，包括安装板，安装板的外表面安装有太
气缸、活塞杆、连接块、通孔、第一转轴、凹槽和第二转轴，当通过太阳能电池板吸收太阳能而进行发电蓄能时，由于太阳将随着时间的变化而
使得连接块在通过第一转轴的作用下带动安装板进行翻转，此时安装板在第二转轴的作用下进行转动，以使得太阳能电池板能够时刻保持正对

面两侧均设置有
可启动气缸，使
进行利用。

English

French

German

Spanish

Russian

Korean

Japanese

Chinese

Arabic

Portuguese

Italian

Finnish

WIPO Translate ▶

CN - 01.03.2022

技术的不足，通过设置
伸缩带动连接块移动，

CN - 01.03.2022

块顶端开有螺纹孔；所
的组合式结构，可将显

CN - 01.03.2022

CN - 01.03.2022

13. **215929435** 一种具有散热功能的太阳路灯

Int.Class [F21S 9/03](#) ⓘ Appl.No 202122388594.6 Applicant 河北晨旺雅光电科技有限公司 Inventor 杜少波

本实用新型公开了一种具有散热功能的太阳路灯，属于太阳能路灯技术领域，包括灯杆，所述灯杆的外表面固定套接有固定套环，所述固定套环
灯罩，所述灯罩的内部设置有led灯板，所述led灯泡的底面设置有led灯泡，所述灯罩的顶面设置有第一散热组件，所述第一散热组件的下方设置
首先通过启动散热风扇，通过散热风扇的转动将灯罩内部的热量向外排出，从而实现了可将灯罩内部的热量有效排出且可对led灯板与led灯泡进

滑槽，所述滑块
接。本申请采用

14. **114108530** 一种安全且使用寿命长的道路桥梁护栏支撑装置

Int.Class [E01F 15/04](#) ⓘ Appl.No 202210006221.4 Applicant 倪林 Inventor 倪林

本发明公开了一种安全且使用寿命长的道路桥梁护栏支撑装置，包括水平设置的护栏本体，所述护栏本体左侧安装有太阳能电池板，所述护栏本体内腔左侧靠近前侧处固定连接蓄有蓄电池，通过模拟式光电传感器、斜板、太阳能电池板、伺服电
机、套环、竖块、圆环、限位杆、横杆、旋转块、第一固定板、从动齿轮、主动齿轮、升降板、调节块、第二齿块、第一齿块等结构之间的相互配合，可实现根据高度的车灯射出来的光线进行反应，从而带动斜板进行调整升降的目的，与
传统的带有遮挡远光灯功能道路桥梁护栏相比，大大的降低了局限性，避免大货车远光灯线无法遮挡的情况发生。

15. **215924630** 一种用于生活废水回收再利用的净化装置


Int.Class [C02F 9/04](#) ⓘ Appl.No 202122535228.9 Applicant 黄河水利委员会黄河水利科学研究院 Inventor 胡亚伟

本实用新型公开了一种用于生活废水回收再利用的净化装置，包括净化筒，净化筒的顶部固定连接有箱体，箱体的内部设有供电组件，箱体的顶部安装有太阳能板，箱体的内部固定连接有支撑架，支撑架的一侧设有搅拌组件，支撑架的另一侧
设有沉淀组件和过滤组件；搅拌组件包括液压缸，液压缸活塞杆固定连接有弧形块，本实用新型使用时，生活废水和絮凝剂均注入净化筒内，液压缸带动弧形块相对弧形板移动，随着弧形块上下来回移动，使得废水和絮凝剂进行充分搅拌融
合，废水中的杂质随絮凝剂作用凝聚沉淀，净化筒内的弧形板的设计，使得废水随弧形板流动至管道处，避免了杂质堆积在死角，弧形块可以防止杂质堆积在搅拌件上，提高净化效率。

CN - 01.03.2022

11. [215934512](#) WATER SUPPLY ELECTRIC HEATING AND HEATING FOUR-CONNECTION SYSTEM ENERGY STORAGE DEVICE BASED ON PHOTOVOLTAIC POWER GENERATION


CN - 01.03.2022

Int.Class [H02J 7/35](#)  Appl.No 202121822417.8 Applicant 山东国融新能源有限公司 Inventor 李国

The utility model relates to the technical field of photovoltaic power generation equipment, in particular to a water supply electric heating and heating four-connection system energy storage device based on photovoltaic power generation. The energy storage equipment comprises a mounting plate, a solar cell panel is mounted on the outer surface of the mounting plate, and protective plates are arranged on the two sides of the outer surface of the mounting plate. By arranging the air cylinder, the piston rod, the connecting block, the through hole, the first rotating shaft, the groove and the second rotating shaft, when the solar cell panel absorbs solar energy to perform power generation and energy storage, the working personnel can start the air cylinder, so that the air cylinder drives the piston rod to stretch out and retract, the piston rod stretches out and retracts to drive the connecting block to move, and at the moment, the mounting plate rotates under the action of the second rotating shaft, so that the solar cell panel can keep the sun directly facing the sun, so that the solar energy is fully utilized.

12. [215933081](#) ADVERTISEMENT PUBLISHING DEVICE FOR ELECTRONIC COMMERCE PROMOTION


CN - 01.03.2022

Int.Class [G09F 9/30](#)  Appl.No 202122308718.5 Applicant 江苏省连云港工贸高等职业技术学校 (江苏省经贸技师学院) Inventor 相姗汝

The invention discloses an advertisement publishing device for electronic commerce promotion. The advertisement publishing device comprises a sliding structure, a rotating connection and a display; a sliding block is fixedly connected to the rear side face of the top end of the baffle, a sliding groove is formed in the surface of the display, the sliding block is in sliding connection with the sliding groove, and a threaded hole is formed in the top end of the sliding block; a screw rod is arranged in the sliding groove, two ends of the screw rod are rotatably connected with the inner side wall of the sliding groove, the screw rod is in threaded connection with the threaded hole, a motor is fixedly connected to the bottom end of the display, and the output end of the motor is fixedly connected with the bottom end of the screw rod. By adopting the combined structure of the display, the solar panel and the mounting box, the display, the solar panel and the mounting box can be disassembled, moved and transported conveniently, and then the display can be driven to rotate through the motor during use, so that the angle of the display can be adjusted, and the display can be adjusted and used.

13. [215929435](#) SOLAR STREET LAMP WITH HEAT DISSIPATION FUNCTION

CN - 01.03.2022

Int.Class [F21S 9/03](#)  Appl.No 202122388594.6 Applicant 河北晨旺雅光电科技有限公司 Inventor 杜少波

The utility model discloses a solar street lamp with a heat dissipation function, and belongs to the technical field of solar street lamps. The solar street lamp comprises a lamp pole, wherein a fixed lantern ring is fixedly connected to the outer surface of the lamp pole in a sleeving mode, the top end of the connecting rod is fixedly connected with a solar panel, the bottom end of the connecting rod is fixedly connected with a lampshade, the bottom surface of the lampshade is provided with an LED lamp panel, the top surface of the lampshade is provided with a first heat dissipation assembly, and a second heat dissipation assembly is arranged below the first heat dissipation assembly; through the arrangement of the first heat dissipation assembly and the second heat dissipation assembly, after the LED lamp panel and the LED bulb are used for a long time, heat in the lampshade is discharged outwards through rotation of the heat dissipation fan, so that the heat in the lampshade can be effectively discharged, and the purpose of effectively radiating the LED lamp panel and the LED bulb can be achieved.

14. [114108530](#) ROAD BRIDGE GUARDRAIL SUPPORTING DEVICE WITH SAFETY AND LONG SERVICE LIFE

CN - 01.03.2022

Int.Class [E01F 15/04](#)  Appl.No 202210006221.4 Applicant 倪林 Inventor 倪林

The invention discloses a safe and long-life road bridge guardrail supporting device which comprises a horizontally-arranged guardrail body. A solar cell panel is mounted on the left side of the guardrail body. A storage battery is fixedly connected to the position, close to the front side, of the left side of the inner cavity of the guardrail body

SETTINGS

Reset

Close

Query Office Result Download **Interface**

Tooltip Help

IPC Tooltip Help

Advanced Search Instant Help

[More](#)

Show Google Translate

Result and detail side by side

Multiple Windows Interface

Default Search Form

Simple

(FR_AB:(**"panneau solaire"** OR **"capteur solaire"** OR **"collecteur solaire"** OR **"récepteur solaire"** OR **"installation solaire"** OR **"capteur d'énergie solaire"** OR **"panneau de cellule solaire"** OR **"hélicopteurs"** C



(FR_AB:("panneau solaire" OR "capteur solaire" OR "collecteur solaire" OR "récepteur solaire" OR "installation solaire" OR "capteur d'énergie solaire" OR "panneau de cellule solaire" OR "hélicopteurs" C



99,125 results Offices all Languages en Stemming true Single Family Member false Include NPL false



Sort: Relevance ▾ Per page: 10 ▾ View: All ▾

< 2 / 9,913 ▾ >

Machine translation ▾

WIPO Translate ▸

Google Translate

11. **215934512** 一种基于光伏发电的供水电冷暖四联供系统蓄能设备

Int.Class [H02J 7/35](#) Appl.No 202121822417.8 Applicant 山东国融新能源有限公司 Inventor 李国

本实用新型涉及光伏发电技术领域，具体涉及一种基于光伏发电的供水电冷暖四联供系统蓄能设备，包括安装板，安装板的外表面安装有太阳能电池板，安装板的外表面两侧均设置有防护板。本实用新型克服了现有技术的不足，通过设置气缸、活塞杆、连接块、通孔、第一转轴、凹槽和第二转轴，当通过太阳能电池板吸收太阳能而进行发电蓄能时，由于太阳将随着时间的变化而进行移动，此时工作人员便可启动气缸，使得气缸带动活塞杆伸缩，活塞杆伸缩带动连接块移动，使得连接块在通过第一转轴的作用下带动安装板进行翻转，此时安装板在第二转轴的作用下进行转动，以使得太阳能电池板能够时刻保持正对着太阳，从而充分的对太阳能进行利用。

12. **215933081** 一种用于电子商务推广的广告发布装置

CN - 01.03.2022

Int.Class [G09F 9/30](#) Appl.No 202122308718.5 Applicant 江苏省连云港工贸高等职业技术学校（江苏省经贸技师学院） Inventor 相姗汝

本申请公开了一种用于电子商务推广的广告发布装置，包括滑动结构、转动连接和显示器；所述滑动结构包括挡板，所述挡板顶端后侧面固接有滑块，所述显示器表面开有滑槽，所述滑块与所述滑槽滑动连接，且所述滑块顶端开有螺纹孔；所述滑槽内部设有螺杆，所述螺杆两端分别与所述滑槽内侧壁转动连接，所述螺杆与所述螺纹孔螺纹连接，所述显示器底端固接有马达，且所述马达输出端与所述螺杆底端固接。本申请采用了显示器、太阳能板以及安装箱的组合式结构，可将显示器、太阳能板以及安装箱进行拆装，便于移动与运输，然后在使用时通过电机可驱动显示器发生转动，以此来调节显示器的角度，可调节使用。

13. **215929435** 一种具有散热功能的太阳路灯

CN - 01.03.2022

Int.Class [F21S 9/03](#) Appl.No 202122388594.6 Applicant 河北晨旺雅光电科技有限公司 Inventor 杜少波

本实用新型公开了一种具有散热功能的太阳路灯，属于太阳能路灯技术领域，包括灯杆，所述灯杆的外表面固定套接有固定套环，所述固定套环的两端均固定连接有横杆，所述连接杆的顶端固定连接有太阳能板，所述连接杆的底端固定连接有灯罩，所述灯罩的内部设置有led灯板，所述led灯泡的底面设置有led灯泡，所述灯罩的顶面设置有第一散热组件，所述第一散热组件的下方设置有第二散热组件；通过设置第一散热组件与第二散热组件，在led灯板与led灯泡长时间使用之后，首先通过启动散热风扇，通过散热风扇的转动将灯罩内部的热量向外排出，从而实现了可将灯罩内部的热量有效排出且可对led灯板与led灯泡进行有效散热的目的。

Biblio data translation

13. CN215929435 - 一种具有散热功能的太阳路灯



National Biblio. Data | Description | Claims | Drawings | Documents

Machine translation ▾

WIPO Translate ▶

Google Translate

Office

China

Title

[ZH] 一种具有散热功能的太阳路灯

Application Number

202122388594.6

Application Date

30.09.2021

Publication Number

215929435

Publication Date

01.03.2022

Publication Kind

U

IPC

F21S 9/03 F21V 29/60 F21V 29/83
F21V 31/00 F21W 131/103 F21Y 115/10

Applicants

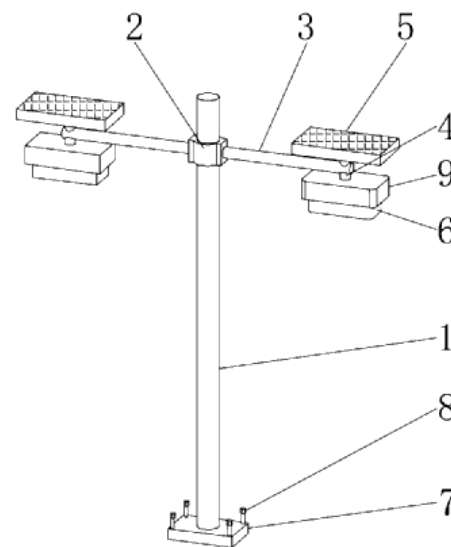
河北晨旺雅光电科技有限公司

Inventors

杜少波

Agents

北京千慕专利代理事务所(普通合伙) 16032



Abstract

[ZH] 本实用新型公开了一种具有散热功能的太阳路灯，属于太阳能路灯技术领域，包括灯杆，所述灯杆的外表面固定套接有固定套环，所述固定套环的两端均固定连接有横杆，所述连接杆的顶端固定连接有太阳能板，所述连接杆的底端固定连接有灯罩，所述灯罩的内部设置有led灯板，所述led灯泡的底面设置有led灯泡，所述灯罩的顶部设置有第一散热组件，所述第一散热组件的下方设置有第二散热组件；通过设置第一散热组件与第二散热组件，在led灯板与led灯泡长时间使用之后，首先通过启动散热风扇，通过散热风扇的转动将灯罩内部的热量向外排出，从而实现了可将灯罩内部的热量有效排出且可对led灯板与led灯泡进行有效散热的目的。

Wipo Translate [powered by Maria] en ... [Continue translation] ... Everything translated

PermaLink

Office

China

Application Number

202122388594.6

Application Date

30.09.2021

Publication Number

215929435

Publication Date

01.03.2022

Publication Kind

U

IPC

- F21S 9/03
- F21V 29/60
- F21V 29/83
- F21V 31/00
- F21W 131/103
- F21Y 115/10

Applicants

河北晨旺雅光电科技有限公司

Inventors

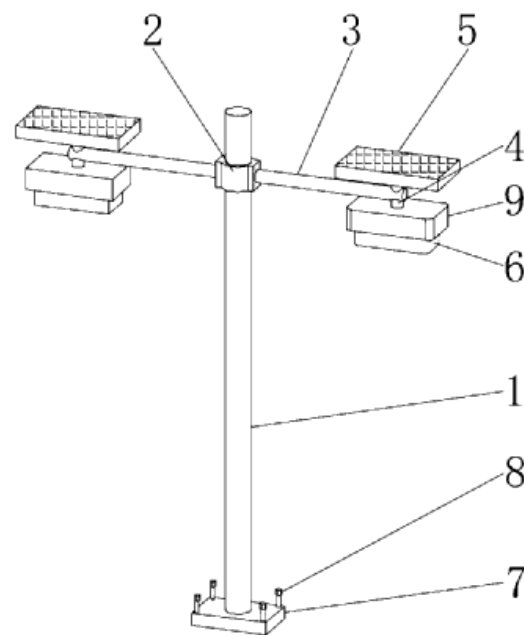
杜少波

Agents

北京千慕专利代理事务所(普通合伙) 16032

Title

[ZH] Solar street lamp with heat dissipation function



Abstract

[ZH] The utility model discloses a solar street lamp with a heat dissipation function, and belongs to the technical field of solar street lamps. The solar street lamp comprises a lamp pole, wherein a fixed lantern ring is fixedly connected to the outer surface of the lamp pole in a sleeving mode, the top end of the connecting rod is fixedly connected with a solar panel, the bottom end of the connecting rod is fixedly connected with a lampshade, the bottom surface of the lampshade is provided with an LED lamp panel, the top surface of the lampshade is provided with a first heat dissipation assembly, and a second heat dissipation assembly is arranged below the first heat dissipation assembly; the first heat dissipation assembly and the second heat dissipation assembly are arranged, and after the LED lamp panel and the LED bulb are used for a long time, the heat dissipation fan is firstly started Heat in the lampshade is discharged outwards through rotation of the heat dissipation fan, so that the heat in the lampshade can be effectively discharged, and the purpose of effectively radiating the LED lamp panel and the LED bulb can be achieved.

Note: Text based on automatic Optical Character Recognition processes. Please use the PDF version for legal matters

[ZH]

一种具有散热功能的太阳路灯

技术领域

本实用新型涉及太阳能路灯技术领域，更具体地说，它涉及一种具有散热功能的太阳路灯。

背景技术

太阳能路灯是采用晶体硅太阳能电池供电，免维护阀控式密封蓄电池储存电能，超高亮LED灯具作为光源，并由智能化充放电控制器控制，用于代替传统公用电力照明的路灯，太阳能是取之不尽，用之不竭，清洁无污染并可再生的绿色环保能源。利用太阳能发电，无可比拟的清洁性、高度的安全性、能源的相对广泛性和充足性、长寿命以及免维护性等其他常规能源所不具备的优点，因此在城市照明路灯方面，太阳能路灯得以的到广泛的应用。

但是现有的太阳能路灯在长时间的照射使用之后，其内部的led灯会发出热量，在灯罩的内部聚集，如若灯罩内部的热量不及时排除，就会严重的影响太阳能路灯的照射强度以及使用寿命。

实用新型内容

针对现有技术存在的不足，本实用新型的目的在于提供一种具有散热功能的太阳路灯，其具有的特点能够实现可将灯罩内部的热量有效排出且可对led灯板与led灯泡进行有效散热的目的。

为实现上述目的，本实用新型提供了如下技术方案：

一种具有散热功能的太阳路灯，包括灯杆，所述灯杆的外表面固定套接有固定套环，所述固定套环的两端均固定连接有横杆，所述连接杆的顶端固定连接有太阳能板，所述连接杆的底端固定连接有灯罩，所述灯罩的内部设置有led灯板，所述led灯板(的底面设置有led灯泡，所述灯罩的顶面设置有第一散热组件，所述第一散热组件的下方设置有第二散热组件，所述连接杆的外表面设置有防雨组件；所述第一散热组件包括固定套筒，所述灯罩的顶面两端均开设有固定孔，所述固定套筒固定连接在固

Full-text translation

1. WO2018209895 - BOTTOM BRACKET OF ELECTRIC BICYCLE AND ELECTRIC BICYCLE



PCT Biblio. Data **Full Text** Drawings ISR/WOSA/A17[2][a] National Phase Notices Documents

PermaLink Machine translation ▼

说明书

发明名称 [0001](#) [0002](#) [0003](#) [0004](#) [0005](#) [0006](#) [0007](#) [0008](#) [0009](#) [0010](#) [0011](#) [0012](#) [0013](#) [0014](#) [0015](#) [0016](#) [0017](#) [0018](#) [0019](#) [0020](#) [0021](#) [0022](#) [0023](#) [0024](#) [0025](#) [0026](#) [0027](#) [0028](#) [0029](#) [0030](#) [0031](#) [0032](#) [0033](#)
[0039](#) [0040](#) [0041](#) [0042](#) [0043](#) [0044](#) [0045](#) [0046](#) [0047](#) [0048](#)

权利要求书

[1](#) [2](#) [3](#) [4](#) [5](#) [6](#) [7](#) [8](#) [9](#) [10](#)

附图

[0001](#) [0002](#) [0003](#) [0004](#) [0005](#) [0006](#) [0007](#)

说明书

发明名称：一种电动自行车五通及电动自行车

技术领域

[0001] 本发明涉及自行车技术领域，涉及一种电动自行车的五通以及使用该五通的电动自行车。

背景技术

[0002] 随着电动自行车技术的逐渐发展，人们对电动自行车各方面的要求也越来越高。现有的电动自行车中，自行车五通位于车架的最底部，用来连接自行车车架的中管、和坐管等，在中置电动自行车上，自行车五通内还需要安置中置电机，行固定，电机的电源线及信号线等，一般通过电机的侧面引出，与刹车线等一起设置在车架的外侧，这种设置的电动自行车，由于多种线缆暴露在外，在骑行或停放过程中，容易造成磨损，非常不利于骑行安全；另外电源线等长期暴

WIPO Translate ▼

English

French

German

Spanish

Russian

Korean

Japanese

Chinese

Arabic

Portuguese

Google Translate

Note: Text based on automatic Optical Character Recognition processes. Please use the PDF version for legal matters

[ZH]

权利要求书

1.一种具有散热功能的太阳路灯,包括灯杆(1),其特征在于:所述灯杆(1)的外表面固定套接有固定套环(2),所述固定套环(2)的两端均固定连接有横杆(3),所述横杆(3)的两端均固定连接有连接杆(4),所述连接杆(4)的顶端固定连接有太阳能板(5),所述连接杆(4)的底端固定连接有灯罩(6),所述灯罩(6)的内部设置有led灯板(15),所述led灯板(15)的底面设置有led灯泡(16),所述灯罩(6)的顶面设置有第一散热组件,所述第一散热组件的下方设置有第二散热组件,所述连接杆(4)的外表面设置有防雨组件。

2.根据权利要求1所述的一种具有散热功能的太阳路灯,其特征在于:所述第一散热组件包括固定套筒(11),所述灯罩(6)的顶面两端均开设有固定孔,所述固定套筒(11)固定连接在固定孔的内部,所述固定套筒(11)的内部设置有散热风扇(12)。

3.根据权利要求1所述的一种具有散热功能的太阳路灯,其特征在于:所述第二散热组件包括散热板(14),所述散热板(14)的两侧与灯罩(6)的内部两侧表面固定连接,所述散热板(14)的顶面贯穿开设有若干个散热孔(17),若干个所述散热孔(17)均等距开设在散热板(14)的顶面,所述散热板(14)为铜板。

4.根据权利要求1所述的一种具有散热功能的太阳路灯,其特征在于:所述防雨组件包括防雨罩(9),所述防雨罩(9)的顶面贯穿开设有固定套接孔(10),所述固定套接孔(10)开设的孔径与连接杆(4)的直径相等,所述防雨罩(9)通过固定套接孔(10)固定套接在连接杆(4)的外表面。

5.根据权利要求2所述的一种具有散热功能的太阳路灯,其特征在于:所述固定套筒(11)的内部固

ISA/WOSA/Art172a translation


PCT Biblio. Data Full Text Drawings **ISR/WOSA/A17[2][a]** National Phase Notices Documents

PermaLink

Report Type: International Search Report in XML Report Language: Chinese - Original Document

- Chinese - Original Document
- English - Official PCT Translation (human)
- Arabic - WIPO Machine Translation
- French - WIPO Machine Translation
- German - WIPO Machine Translation
- Japanese - WIPO Machine Translation
- Korean - WIPO Machine Translation
- Portuguese - WIPO Machine Translation
- Russian - WIPO Machine Translation
- Spanish - WIPO Machine Translation

Disclaimer The image version [PDF] available on PATENTSCOPE is the official version appearing on the printed document/images, errors and/or omissions cannot be excused to external resources that are not controlled by WIPO. WIPO disclaims all liability regarding the image version.

We have taken the great care taken in its compilation to ensure a precise and accurate representation of the data (limitations of the [optional] machine translation processes used. Hyperlinks followed by this symbol , are

Part 1: 1 2 3 4 5 6 Part 2: A B C D E

国际申请号 PCT/CN2017/108229	申请人或代理人的档案号 17P99699PCT
国际申请日 (年/月/日) 2017年 10月 30日	[最早的]优先权日 (年/月/日) 2017年 5月 18日
申请人 太仓市悦博电动科技有限公司	

关于后续行为: 见PCT/ISA/220表和 适用时, 见下面第5项

PART 1

PCT/CN2017/108229

按照条约第18条, 本国际检索报告由本国际检索单位做出并送交申请人。报告副本送交国际局。

它还附有本报告所引用的各现有技术文件的副本。

1. 报告的基础

a. 关于语言, 进行国际检索基于:

国际申请提交时使用的语言。

WIPO Translate

- WIPO Translate
- WIPO Pearl
- IPC Green Inventory
- Portal to patent registers

SIMPLE SEARCH

Using PATENTSCOPE you can search 102 million patent documents including 4.3 million published international patent applications (PCT). [Detailed coverage information](#)

PCT publication 11/2022 [17.03.2022] is now available [here](#). The next PCT publication 12/2022 is scheduled for 24.03.2022. [More](#)

Check out the [new PATENTSCOPE features](#): CPC, NPL, Families ...

[Search Facility to Support COVID-19 Innovation Efforts](#)

Field

Front Page



Search terms...



[Query Examples](#)

22 Language pairs

- Arabic – English English-Arabic
- Chinese – English English – Chinese
- Finnish – English English – Finnish
- French – English English - French
- German – English English – German
- Italian – English English - Italian
- Japanese – English English - Japanese
- Korean – English English - Korean
- Portuguese – English English - Portuguese
- Russian – English English - Russian
- Spanish – English English - Spanish

Translate[\[Terms & conditions/User guide\]](#)

WIPO Translate NMT is a powerful instant translation tool, designed specifically to translate patent texts (now almost all languages are available using Neural Machine Translation technology). Simply cut and paste text from a patent document into the box below and select from the available language pairs, then click on "Translate" (Note that there is a limit of 2000 characters).

NOTE: WIPO Translate not be used for translating undisclosed patent information or other sensitive data as data transmitted via the translation tool is not encrypted)

Text to be translated:

Language pair:

Domain:

Related links

- [WIPO Translate: Cutting-Edge Translation Tool For Patent Documents Extends Language Coverage](#)
- [Interested in your own version of WIPO Translate? Find out more](#)

3 steps

- Enter text
- Select language pair
- Select technical domain

Translate

[\[Terms & conditions/User guide\]](#)

WIPO Translate NMT is a powerful instant translation tool, designed specifically to translate patent texts (now almost all languages are available using Neural Machine Translation technology). Simply cut and paste text from a patent document into the box below and select from the available language pairs, then click on "Translate" (Note that there is a limit of 2000 characters).

NOTE: WIPO Translate not be used for translating undisclosed patent information or other sensitive data as data transmitted via the translation tool is not encrypted)

Text to be translated:

Language pair:

Domain:

- ...
- ...
- English->Arabic (Neural MT Beta)
- Arabic->English (Neural MT Beta)
- English->German (Neural MT)
- German->English (Neural MT)
- English->Spanish (Neural MT)
- Spanish->English (Neural MT)
- English->French (Neural MT)
- French->English (Neural MT)
- English->Japanese (Neural MT)
- Japanese->English (Neural MT)
- English->Korean (Neural MT)
- Korean->English (Neural MT)
- English->Portuguese (Neural MT)
- Portuguese->English (Neural MT)

Translate

Translate

[\[Terms & conditions/User guide\]](#)

WIPO Translate NMT is a powerful instant translation tool, designed specifically to translate patent texts (now almost all languages are available using Neural Machine Translation technology). Simply cut and paste text from a patent document into the box below and select from the available language pairs, then click on "Translate" (Note that there is a limit of 2000 characters).

NOTE: WIPO Translate not be used for translating undisclosed patent information or other sensitive data as data transmitted via the translation tool is not encrypted)

Text to be translated:

Language pair:

Domain:

- [automatic detection]
- [automatic detection]
- ADMN-Admin, Business, Management & Soc Sci
- AERO-Aeronautics & Aerospace Engineering
- AGRI-Agriculture, Fisheries & Forestry
- AUDV-Audio, Audiovisual, Image & Video Tech
- AUTO-Automotive & Road Vehicle Engineering
- BLDG-Civil Engineering & Building Construction
- CHEM-Chemical & Materials Technology
- DATA-Computer Sci, Telecom & Broadcasting
- ELEC-Electrical Engineering & Electronics
- ENGY-Energy, Fuels & Heat Transfer Eng
- ENVR-Environmental & Safety Engineering
- FOOD-Foods & Food Technology

Translate

32 Technical domains from the IPC

[ADMN] Admin, Business, Management & Soc Sci	[MARI] Marine Engineering
[AERO] Aeronautics & Aerospace Engineering	[MEAS] Standards, Units, Metrology & Testing
[AGRI] Agriculture, Fisheries & Forestry	[MECH] Mechanical Engineering
[AUDV] Audio, Audiovisual, Image & Video Tech	[MEDI] Medical Technology
[AUTO] Automotive & Road Vehicle Engineering	[METL] Metallurgy
[BLDG] Civil Engineering & Building Construction	[MILI] Military Technology
[CHEM] Chemical & Materials Technology	[MINE] Mining, Oil & Gas Extraction & Minerals
[DATA] Computer Sci, Telecom & Broadcasting	[NANO] Nano Technology
[ELEC] Electrical Engineering & Electronics	[PACK] Packaging & Distribution of Goods
[ENGY] Energy, Fuels & Heat Transfer Eng	[PRNT] Printing & Paper
[ENVR] Environmental & Safety Engineering	[RAIL] Railway Engineering
[FOOD] Foods & Food Technology	[SCIE] Optical Engineering
[GENR] Generalities, Language, Media & Info Sci	[SPRT] Sports, Leisure, Tourism & Hospitality
[HOME] Home Contents & Household Maintenance	[TEXT] Textile & Clothing Industries
[HORO] Precision Mechanics, Jewelry & Horology	[TRAN] Transportation
[MANU] Manufacturing & Materials Handling Tech	

WIPO Translate: an example

Translate

[\[Terms & conditions/User guide\]](#)

WIPO Translate NMT is a powerful instant translation tool, designed specifically to translate patent texts (now almost all languages are available using Neural Machine Translation technology). Simply cut and paste text from a patent document into the box below and select from the available language pairs, then click on "Translate" (Note that there is a limit of 2000 characters).

NOTE: WIPO Translate not be used for translating undisclosed patent information or other sensitive data as data transmitted via the translation tool is not encrypted)

Text to be translated:

本发明公开了一种电动自行车，包括电动自行车车体，特征在于：所述的电动自行车车体上安装有用于给电动自行车供电的供电装置，所述的供电装置包括油箱、发动机、发电机及供电装置控制器，所述的发电机与发动机通过传动机构相连，所述的发动机与供电装置控制器相连，所述的发电机与用于驱动电动自行车的驱动电机相连，所述的发电机与所述的驱动电机之间通过电连接器连接。本发明的目的是提供一种新的电动自行车，以解决电动自行车因动力电池自身不足引发的许多问题，提供一种结构简单，制造成本低，节能明显的电动自行车。

Language pair: Chinese->English (Neural MT) ▾

Domain: TRAN-Transportation ▾

Translate

Text to be translated:

本发明公开了一种电动自行车，包括电动自行车车体，特征在于：所述的电动自行车车体上安装有用于给电动自行车供电的供电装置，所述的供电装置包括油箱、发动机、发电机及供电装置控制器，所述的发电机与发动机通过传动机构相连，所述的发动机与供电装置控制器相连，所述的发电机与用于驱动电动自行车的驱动电机相连，所述的发电机与所述的驱动电机之间通过电连接器连接。本发明的目的是提供一种新的电动自行车，以解决电动自行车因动力电池自身不足引发的许多问题，提供一种结构简单，制造成本低，节能明显的电动自行车。

Language pair:

Chinese->English (Neural MT)

Domain:

TRAN-Transportation

Translate

This automatic translation is provided for information only, it may contain discrepancies or mistakes and does not have any juridical value.

- *Please hover your mouse over parallel segments of text*
- *Click to view other proposals*
- *Select words or phrases on the left to access other translation proposals*

本发明公开了一种电动自行车，包括电动自行车车体，特征在于：所述的电动自行车车体上安装有用于给电动自行车供电的供电装置，所述的供电装置包括油箱，发动机，发电机及供电装置控制器，所述的发电机与发动机通过传动机构相连，所述的发动机与供电装置控制器相连，所述的发电机与用于驱动电动自行车的驱动电机相连，所述的发电机与所述的驱动电机之间通过电连接器连接。本发明的目的是提供一种新的电动自行车，以解决电动自行车因动力电池自身不足引发的许多问题，提供一种结构简单，制造成本低，节能明显的电动自行车。

The invention discloses an electric bicycle, The electric bicycle body is characterized in that a power supply device used for supplying power to an electric bicycle is mounted on the electric bicycle body; the power supply device comprises an oil tank, an engine, a generator and a power supply device controller; the generator is connected with the engine through a transmission mechanism; the engine is connected with the power supply device controller; the generator is connected with a driving motor used for driving the electric bicycle; and the generator is connected with the driving motor through an electric connector. The electric bicycle is simple in structure, low in manufacturing cost and obvious in energy saving, and aims to provide a new electric bicycle, so as to solve a number of problems caused by insufficient power batteries of the electric bicycle, and the electric bicycle is simple in structure, low in manufacturing cost and obvious in energy saving.

Edit translation

本发明公开了一种电动自行车,包括电动自行车车体,特征在于:所述的电动自行车车体上安装有用于给电动自行车供电的供电装置,所述的供电装置包括油箱,发动机,发电机及供电装置控制器,所述的发电机与发动机通过传动机构相连,所述的发动机与供电装置控制器相连,所述的发电机与用于驱动电动自行车的驱动电机相连,所述的发电机与所述的驱动电机之间通过电连接器连接.本发明的目的是提供一种新的电动自行车,以解决电动自行车因动力电池自身不足引发的许多问题,提供一种结构简单,制造成本低,节能明显的电动自行车。

Edit translation

Related links

- [WIPO Translate: Cutting-Edge Translation Tool For Patent Documents](#)
- [Interested in your own version of WIPO Translate? Find out more](#)

The invention discloses an electric bicycle, The electric bicycle body is characterized in that a power supply device used for supplying power to an electric bicycle is mounted on the electric bicycle body; the power supply device comprises an oil tank, an engine, a generator and a power supply device controller; the generator is connected with the engine through a transmission mechanism; the engine is connected with the power supply device controller; the generator is connected with a driving motor used for driving the electric bicycle; and the generator is connected with the driving motor through an electric connector. **The electric bicycle is simple in structure, low in manufacturing cost and obvious in energy saving, and aims to provide a new electric bicycle, so as to solve a number of problems caused by insufficient power batteries of the electric bicycle, and the electric bicycle is simple in structure, low in manufacturing cost and obvious in energy saving.**

Choose among proposals, or edit the text

The electric bicycle is simple in structure, low in manufacturing cost and obvious in energy saving, and aims to provide a new electric

Ok

The electric bicycle is simple in structure , low in manufacturing cost and obvious in energy saving , and aims to provide a new electric bicycle , so as to solve a number of problems caused by insufficient power batteries of the electric bicycle , and the electric bicycle is simple in structure , low in manufacturing cost and obvious in energy saving .

the electric bicycle is simple in structure, low in manufacturing cost and obvious in energy saving, and aims to provide a new electric bicycle, so as to solve a number of problems caused by insufficient power batteries of the electric bicycle, and the electric bicycle is simple in structure, low in manufacturing cost and obvious in energy **conservation**.

the electric bicycle is simple in structure, low in manufacturing cost and obvious in energy-**saving effect**, and aims to provide a new electric bicycle, so as to solve a number of problems caused by insufficient power batteries of the electric bicycle, and the electric bicycle is simple in structure, low in manufacturing cost and obvious in energy saving.

the electric bicycle is simple in structure, low in manufacturing cost and obvious in energy-**saving effect, and aims to provide a new electric bicycle, so as to solve a number of problems caused by insufficient power of the power battery** of the electric bicycle, and the electric bicycle is simple in structure, low in manufacturing cost and obvious in energy saving.

WIPO Translate Licensing

- WIPO Translate for you!



ADVANCED SEARCH

Search terms...

Expand with related terms

Offices

All

Languages

All

Stemming

Single Family Member

Include NPL

ENGLISH

ENGLISH

FRANÇAIS

DEUTSCH

ESPAÑOL

PORTUGUÊS

РУССКИЙ

日本語

中文

한국어

عربي

SESSION QUERIES

SAVED QUERIES

MARKUSH BATCHES

LOGOUT

SIMPLE SEARCH

Using PATENTSCOPE you can search 102 million patent documents including 4.3 million

PCT publication 11/2022 [17.03.2022] is now available [here](#). The next PCT publication 1

Check out the [new PATENTSCOPE features](#): CPC, NPL, Families ...

[Search Facility to Support COVID-19 Innovation Efforts](#)

Field

Full Text

Search terms...

车

EN_ALLTXT:(车)



53,248 results

Offices all

Languages all

Stemming true

Single Family Member false

Include NPL false

Sort: Relevance ▼ Per page: 100 ▼ View: All+Image ▼

< 1 / 533 ▼ >

1. **113581133** METHOD AND SYSTEM FOR VEHICLE SANITIZING MODE

Int.Class [B60S 1/62](#) ⓘ Appl.No 202110460852.9 Applicant FORD GLOBAL TECHNOLOGIES, LLC Inventor GUTOWSKI ALAN

The disclosure provides a method and system for a vehicle sanitizing mode. Methods and systems are provided for heat sanitizing a vehicle. In one example, a method,

简单检索

您可以通过PATENTSCOPE检索102百万专利文件，其中包含4.3百万已公布的国际专利申请（PCT公布11/2022（17.03.2022）现可从[这里](#)查阅。下一次PCT公布12/2022日期为24.03.2022。查看新的PATENTSCOPE功能：CPC、NPL、专利族.....

[支持新冠肺炎创新工作的检索功能](#)

字段
全文

检索内容.....
车


ZH_ALLTXT:(车)

 2,215,757 个结果 专利局 all 语言 all 词根提取 true 单一族成员 false 包括NPL false

排序：相关性 ▼ 每页：100 ▼ 查看：全文 + 图像 ▼

< 1 / 22,158 >

1. **205825718** 窑车车面砖

国际分类 [F27D 1/04](#)  申请号 201620551528.2 申请人 东台市宏大耐热材料有限公司 发明人 李圆圆

本实用新型公开了一种窑车车面砖，包括车面砖本体，在所述车面砖本体的上表面设置有至少一条导热凹槽，在所述车面砖本体的上侧还设置有热传导通道，该热传导通道面砖本体的下表面设置有连接榫槽。采用本实用新型的窑车车面砖能加快所要烧制产品上与车面相接触部位的热传递速度，使所要烧制产品各部位温度均匀，提高产品质量。

Practical exercises

PATENTSCOPE practical exercises

0% complete

Search by lesson title

- 1. The use of fields 0/1
- 2. The use of operators 0/3
- 3. Query building 0/1

fields

1 of 5 Automatic Zoom

PATENTSCOPE – THE SEARCH FIELDS

Search fields

What are search fields? Search fields correspond to the different parts of patent documents, for example, in the claims or in the abstract.

Why use them? The fields allow you to target specific parts of the patent document in which you would like to perform your search.

What fields are available? There are 2 types of fields:

- a. simple: related to one specific part of a patent document, for example, title
- b. combined: related to different parts of a patent document, for example, front page

Fields related also to the different languages available in PATENTSCOPE.

The fields available for the bibliographic data:

Access – WIPO IP Portal

The screenshot displays the WIPO IP Portal homepage. At the top, a dark navigation bar contains the 'WIPO IP PORTAL' logo, a 'MENU' button, the 'PATENTSCOPE' title, a 'Covid-19 Update' notification with a close button, and links for 'HELP', 'ENGLISH', 'LOGIN', and the 'WIPO' logo. The 'HELP' and 'LOGIN' links are circled in green. Below the navigation bar, the main content area features a 'SIMPLE SEARCH' section. This section includes a text block with information about the 102 million patent documents in the database and a search input field with a dropdown menu set to 'Field Front Page' and a search button. A dropdown menu is open on the right side of the page, listing links for 'CONTACT US', 'FAQs', 'FORUM', 'PATENTSCOPE HELP', 'TERMS OF USE', and 'PRIVACY POLICY'. The 'WIPO' logo is also visible in the bottom right corner of the page.

WIPO IP PORTAL MENU PATENTSCOPE Covid-19 Update X

HELP ENGLISH LOGIN WIPO

Feedback S... M... ttings

SIMPLE SEARCH

Using PATENTSCOPE you can search 102 million patent documents including 4.3 million published international patent applications (PCT). [Detailed coverage information](#)
PCT publication 11/2022 (17.03.2022) is now available [here](#). The next PCT publication 12/2022 is scheduled for 24.03.2022. [More](#)
Check out the [new PATENTSCOPE features](#): CPC, NPL, Families ...
[Search Facility to Support COVID-19 Innovation Efforts](#)

Field
Front Page

Search terms...

Query Examples

- CONTACT US
- FAQs
- FORUM
- PATENTSCOPE HELP
- TERMS OF USE
- PRIVACY POLICY

The Dashboard

The screenshot displays the 'MY DASHBOARD' interface of the WIPO IP Portal. The top navigation bar includes 'WIPO IP PORTAL', 'MENU', 'Covid-19 Update', 'HELP', 'SANDRINE AMMANN', and 'WIPO'. The dashboard is organized into several widgets:

- MY FAVORITES:** Includes links for PATENTSCOPE, Global Brand Database, Global Design Database, Vienna Classification Assistant, and WIPO Pearl.
- QUICK LINKS:** A placeholder for additional links with the instruction: 'Add a link or drag and drop it in the widget.'
- GLOBAL DESIGN DATABASE:** A search widget with a search bar containing 'Apple' and 20+ results. It lists patent entries such as '003073683 - EM Air fresheners [other than apparatus... Zenit Estudio de Diseño e Innovació...'
- PATENTSCOPE:** A search widget with a search bar containing 'test' and 20+ results. It lists patent entries such as 'IL142015 10 Mar 2002 DETECTION OF MUTATIONS IN A GENE ENCODING IKB KINASE-...'
- GLOBAL BRAND DATABASE:** A search widget with a search bar and instructions: 'Search by Brand name, Applicant/Holder name, Application/Registration number'.
- WIPO PAY SUMMARY:** A summary widget showing '0 Unpaid', '1 Basket', '0 Pending', and '1 Payment History'.
- NOTEPAD:** An empty text area for notes.
- LATEST NEWS:** A news widget with two articles: 'WIPO Wire: Landscaping COVID-19 Patents; World IP Day Activities' and 'WIPO Wire: WIPO's IP Services Reached Record Levels Last Year Despite Pandemic; China Joins Internation...'
- WORLD CLOCK:** A widget showing local times for Switzerland (15:47) and the United States of America/Eastern (10:47) on March 22, 2022.
- WIPO PEARL TERM SEARCH:** A search widget with a search bar and dropdown menus for 'Source language' and 'Target language', both set to 'All'.

1. CN107426928 - ELECTRIC CAR CONTROLLER AND ELECTRIC CAR

[National Biblio. Data](#) [Description](#) [Claims](#) [Drawings](#) [Documents](#)[PermaLink](#) [Machine translation](#)**Office**

China

Application Number

201710383184.8

Application Date

26.05.2017

Publication Number

107426928

Publication Date

01.12.2017

Publication Kind

A

IPC

H05K 5/00

H05K 5/02

CPC

H05K 5/0069

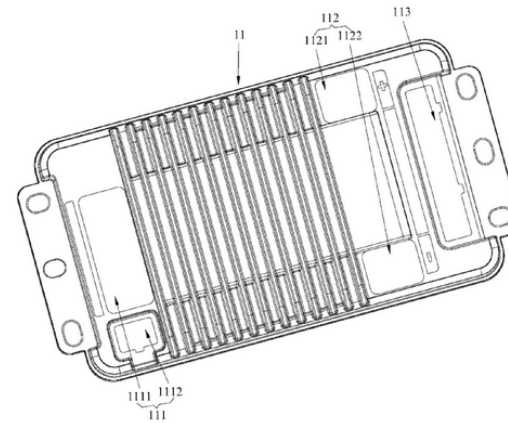
H05K 5/0247

Applicants

SHENZHEN GOBAO ELECTRONIC TECHNOLOGY CO., LTD.

Inventors

ZENG QIFANG

Title**[EN]** Electric car controller and electric car**[ZH]** 电动车控制器及电动车**Abstract****[EN]**

The present invention provides an electric car controller and electric car. The controller comprises a housing and a circuit board installed in the housing, the circuit board is provided with a motor-type connector, a power-type connector and a functional connector, the housing is provided with a first end and a second end which are oppositely arranged along the length extension direction, the position, close to the first end, on the housing is provided with a motor-type window being gone through by the motor-type connector, the position, close to the second end, on the housing is provided with a power-type window and a functional window which are respectively configured to be gone through by the power-type connector and the functional connector,

The widgets

The screenshot displays the WIPO IP Portal's "MY DASHBOARD" interface. At the top, there is a navigation bar with "WIPO IP PORTAL", "MENU", a "Covid-19 Update" notification, "HELP", the user name "SANDRINE AMMANN", and a "WIPO" logo. A "Change view" button is circled in green in the top right corner.

The main dashboard area is titled "MY DASHBOARD" and features a sidebar menu on the left, also circled in green. The sidebar menu includes:

- WIDGETS (with a "Clear Dashboard" link)
- PATENTS
- TRADEMARKS
- DESIGNS
- GEOGRAPHICAL INDICATIONS
- DIGITAL EVIDENCE
- PAYMENTS
- GENERAL
- DASHBOARD TEMPLATES

The dashboard contains several widgets:

- MY FAVORITES**: A dropdown menu with "PATENTSCOPE" selected.
- GLOBAL DESIGN DATABASE**: A search widget with a search bar containing "pple" and "20+ results". It lists patent entries such as "3073683 - EM" and "28976 - US".
- PATENTSCOPE**: A search widget with a search bar containing "test" and "20+ results". It lists patent entries such as "IL142015" and "IL142059".
- GLOBAL BRAND DATABASE**: A search widget with a search bar and "Search by Brand name, Applicant/Holder name, Application/Registration number" options.
- WIPO PAY SUMMARY**: A summary widget showing "0 Unpaid", "1 Basket", "0 Pending", and "1 Payment History".
- NOTEPAD**: An empty text area.
- LATEST NEWS**: A news widget with two articles from WIPO Wire.
- WIPO PEARL TERM SEARCH**: A search widget with a search bar and "Source language: All" and "Target language: All" dropdowns.
- WORLD CLOCK**: A widget showing the time in Switzerland (15:47) and the United States of America/Eastern (10:47) on March 22, 2022.

MY DASHBOARD

Feedback

Manage widgets

MY FAVORITES

- PATENTSCOPE [PATENTS]
- Global Brand Database [GEOGRAPHICAL INDICATIONS]
- Global Design Database [DESIGNS]
- Vienna Classification Assistant [TRADEMARKS]

GLOBAL DESIGN DATABASE

PATENTSCOPE

GLOBAL BRAND DATABASE

NOTEPAD

Go to App

Change widget color

How to use

Duplicate

Remove

Search Saved Searches

Search Global Brands

Search by Brand name, Applicant/Holder name, Application/Registration number

NOTEPAD

QUICK LINKS

Add a link or drag and drop a link.

PAYMENT SUMMARY

1 Unpaid	1 Basket
0 Pending	1 Payment History

LATEST NEWS

WIPO Wire: Cambodia Registers First GI via Geneva Act of Lisbon Agreement; World L...
January 28, 2021 [WIPO Wire](#)

WIPO Wire: WIPO Re:Search Reaches 150 Members; AI and IP Conversation...
January 14, 2021 [WIPO Wire](#)

FR112003 Switzerland

FR112003 United States of America/Eastern

06:04

FRI Feb 05

Colombia

GB1351224 24 Apr 1974

ELEVATOR CONTROL APPARATUS

CN211393478 01 Sep 2020

Car wall telescopic connecting structure and li...

WIPO PEARL TERM SEARCH

Menu & favorites

The screenshot shows the top navigation bar of the WIPO IP Portal. The 'MENU' button is highlighted with a red box. Below it, a search bar contains the text 'What are you looking for?'. A 'Covid-19 Update' notification is visible in the top right. The user's name 'SANDRINE AMMANN' and a 'HELP' link are also present. The main content area features a 'MY FAVORITES' section with a list of categories, each with a right-pointing chevron. The categories are: MY FAVORITES, PATENTS, TRADEMARKS, DESIGNS, GEOGRAPHICAL INDICATIONS, PLANT VARIETY PROTECTION, DIGITAL EVIDENCE, ASSISTANCE PROGRAMS, MEDIATION AND ARBITRATION, DOMAIN NAME DISPUTE RESOLUTION, and PAYMENTS. On the right side, there is a promotional banner for the Global Brand Database and three informational boxes for WIPO Lex, WIPO Academy, and WIPO GREEN.

WIPO IP PORTAL MENU Covid-19 Update X HELP SANDRINE AMMANN WIPO

What are you looking for? CLOSE

- MY FAVORITES
- PATENTS
- TRADEMARKS
- DESIGNS
- GEOGRAPHICAL INDICATIONS
- PLANT VARIETY PROTECTION
- DIGITAL EVIDENCE
- ASSISTANCE PROGRAMS
- MEDIATION AND ARBITRATION
- DOMAIN NAME DISPUTE RESOLUTION
- PAYMENTS


Search in the Global Brand Database and access other services using the WIPO IP Portal widgets





WIPO Lex
Free of charge access to legal information on intellectual property (IP).

WIPO Academy
The center of excellence for intellectual property (IP) education and training for WIPO member states.

WIPO GREEN
Database of Innovative Technologies and Needs.

Menu & favorites

MY FAVORITES  >

- PATENTS** >
 - Search** >
 - PATENTSCOPE**  Search among millions of patent documents.
 - WIPO Pearl**  Search multilingual scientific, technical and legal terms in 10 languages.
 - IPC Green Inventory**  Search for patent information relating to Environmentally Sound Technologies (ESTs).
 - IPC Publication**  Consult the official online version of the International Patent Classification (IPC) for classifying patent documents.
 - TRADEMARKS > File & Manage >
 - DESIGNS > Inventor Assistance Program (IAP) >
 - GEOGRAPHICAL INDICATIONS > Pay >
 - PLANT VARIETY PROTECTION > IP Offices >
 - DIGITAL EVIDENCE > Statistics >
 - ASSISTANCE PROGRAMS >
 - MEDIATION AND ARBITRATION >
 - DOMAIN NAME DISPUTE RESOLUTION >
 - PAYMENTS >



- WIPO Lex**
Free of charge access to legal information on intellectual property (IP).
- WIPO Academy**
The center of excellence for intellectual property (IP) education and training for WIPO member states.
- WIPO GREEN**
Database of Innovative Technologies and Needs.



Webinar

Future/past webinars:

PATENTSCOPE Webinars

WIPO offers free online seminars (webinars) to deliver information, training and updates on the [PATENTSCOPE Search System](#). If you or your organization are interested in a webinar on a specific topic, please [contact us](#).

Note – Participants should connect to the webinar 15-20 minutes before the starting time. Slides from all webinars will be archived.

wipo.int/patentscope/en/webinar

[Register for upcoming webinars](#)

[All PATENTSCOPE webinars](#)

Platform Requirements

Please see the [system requirements](#) for attendees of our webinars.

Translation Options in PATENTSCOPE

March 22, 2022 (English) 17:30 - 18:15 Geneva time

[Online registration](#)

Translation Options in PATENTSCOPE

March 24, 2022 (English) 08:30 - 09:15 Geneva time

[Online registration](#)

How to Read the Result List in PATENTSCOPE

April 26, 2022 (English) 17:30 - 18:15 Geneva time

[Online registration](#)

How to Read the Result List in PATENTSCOPE

Global Brand Database, Global Design Database

Webinars:

- <https://www.wipo.int/reference/en/branddb/webinar/index.html>
- <https://www.wipo.int/reference/en/designdb/webinar/index.html>





patentscope@wipo.int