

(19) World Intellectual Property Organization  
International Bureau



(43) International Publication Date  
10 December 2009 (10.12.2009)

PCT

(10) International Publication Number  
WO 2009/148670 A9

## (51) International Patent Classification:

B64C 1/00 (2006.01) A63H 27/18 (2006.01)  
B64C 13/24 (2006.01) B64C 13/20 (2006.01)

MG, MK, MN, MW, MX, MY, MZ, NA, NG, NI, NO, NZ, OM, PG, PH, PL, PT, RO, RS, RU, SC, SD, SE, SG, SK, SL, SM, ST, SV, SY, TJ, TM, TN, TR, TT, TZ, UA, UG, US, UZ, VC, VN, ZA, ZM, ZW.

## (21) International Application Number:

PCT/US2009/036405

## (84) Designated States (unless otherwise indicated, for every kind of regional protection available):

## (22) International Filing Date:

6 March 2009 (06.03.2009)

ARIPO (BW, GH, GM, KE, LS, MW, MZ, NA, SD, SL, SZ, TZ, UG, ZM, ZW), Eurasian (AM, AZ, BY, KG, KZ, MD, RU, TJ, TM), European (AT, BE, BG, CH, CY, CZ, DE, DK, EE, ES, FI, FR, GB, GR, HR, HU, IE, IS, IT, LT, LU, LV, MC, MK, MT, NL, NO, PL, PT, RO, SE, SI, SK, TR), OAPI (BF, BJ, CF, CG, CI, CM, GA, GN, GQ, GW, ML, MR, NE, SN, TD, TG).

## (25) Filing Language:

English

## (26) Publication Language:

English

## (30) Priority Data:

12/074,737 6 March 2008 (06.03.2008) US

## Published:

— without international search report and to be republished upon receipt of that report (Rule 48.2(g))

## (71) Applicant and

(72) Inventor: ZHAO, Jie [CN/US]; 14212, Abbots Wood Terrace, Midlothian, Virginia 23113 (US).

## (48) Date of publication of this corrected version:

28 January 2010

(81) Designated States (unless otherwise indicated, for every kind of national protection available): AE, AG, AL, AM, AO, AT, AU, AZ, BA, BB, BG, BH, BR, BW, BY, BZ, CA, CH, CN, CO, CR, CU, CZ, DE, DK, DM, DO, DZ, EC, EE, EG, ES, FI, GB, GD, GE, GH, GM, GT, HN, HR, HU, ID, IL, IN, IS, JP, KE, KG, KM, KN, KP, KR, KZ, LA, LC, LK, LR, LS, LT, LU, LY, MA, MD, ME,

## (15) Information about Correction:

see Notice of 28 January 2010

## (54) Title: MODULARIZED AIRPLANE STRUCTURES AND METHODS

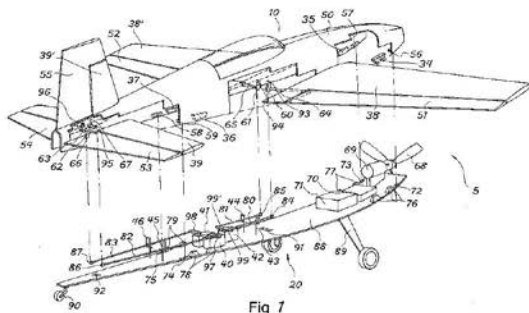


Fig 7

(57) Abstract: A controllable flying airplane includes two separably interconnected modules: a plane module, incorporating substantial airplane style characteristics, comprising a fuselage and a fin mounted thereon with a movable control surface, a component module having a support structure and a set of components mounted thereon including a servo controlled by a control device facilitating controlled flight. At least one pair of mutually magnetically attractive connectors oppositely affixed on said two module members provide means for inter-modular structural connection. A linkage means includes two mutually magnetically attractive linkage portions separably connectable to form a linkage assembly linking said servo and said control surface. The structural connection and the control linkage means disclosed facilitate substantially effortless inter-modular connection to form a controllable airplane as well as nondestructive inter-modular disconnection. Multiple plane modules of differing styles and aerodynamic specifications can be made interconnectable with one component module to form differing airplanes, sharing essential components, for differing applications.