

(21) Application No: 1209267.2  
(22) Date of Filing: 25.05.2012

(51) INT CL:  
A61M 15/00 (2006.01)

(56) Documents Cited:  
GB 2485858 A

(71) Applicant(s):  
Vectura Delivery Devices Limited  
1 Prospect West, CHIPPENHAM, Wiltshire, SN14 6FH,  
United Kingdom

(58) Field of Search:  
INT CL A61M  
Other: Online: WPI, EPODOC

(72) Inventor(s):  
Andreas Mark Meliniotis  
Andrew Solly  
Roger William Clarke  
Liam Philip McGuinness

(74) Agent and/or Address for Service:  
Vectura Limited  
One Prospect West, Chippenham, Wiltshire,  
SN14 6FH, United Kingdom

(54) Title of the Invention: **Inhaler**  
Abstract Title: **Inhaler having means to control the force applied to an actuating lever**

(57) The inhaler comprises a housing to receive a strip having a plurality of blisters, a mouthpiece, a blister piercing member mounted for rotation about a first axis and an actuating mechanism including an actuating lever 81 mounted for rotation about a second axis to sequentially move each blister into alignment with the blister piercing member. The actuating lever 81 cooperates with the blister piercing member so that the blister piercing member pivots about said first axis in response to rotation of the actuating member from an initial position about the second axis to puncture the lid of an aligned blister. The inhaler comprises an actuating lever load control member in the form of cantilever 82 to control the force applied to the actuating lever by running up ramp 300 during rotation of the lever. The ramp is shaped so the user is required to apply the same level of force throughout its stroke.

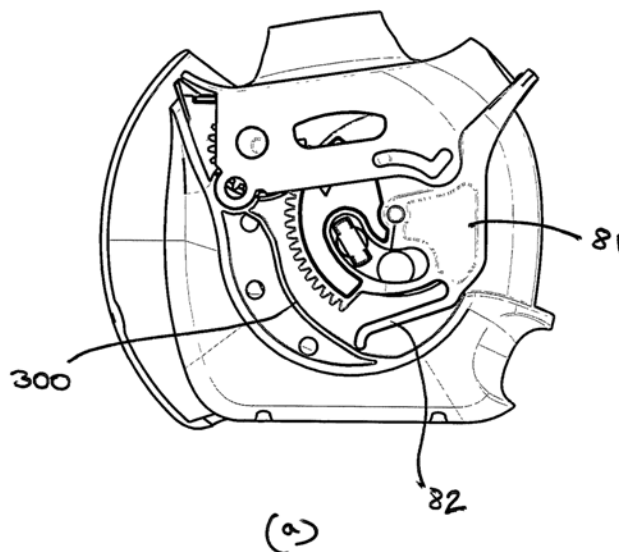


FIGURE 18