

WIPO Standard ST.36 - Annex B

Example XML Document Instance

Instance with annotations:

This example uses `xx-patent-document` as the model for the creation of an example `wo-patent-document`. In particular the example is a PCT published application (an A1 document) - this PCT example uses some published parts of patent applications and parts created for example purposes only. **The example markup does not necessarily reflect PCT practice.**

Note: Comments are printed in square brackets, greyed, in ***[italic bold]***.

First we start with the bibliographic data required to create the front page (title page) of a PCT patent document:

(12) INTERNATIONAL APPLICATION PUBLISHED UNDER THE PATENT COOPERATION TREATY (PCT)

(19) World Intellectual Property
Organization
International Bureau



(43) International Publication Date
27 May 2004 (27.05.2004)

PCT

(10) International Publication Number
WO 2004/043551 A1

this would be the markup:

[Standard prolog lines]

```
<?xml version="1.0" encoding="UTF-8"?>  
<!DOCTYPE wo-patent-document SYSTEM "wo-patent-document-v1-3.dtd">
```

[Now starts the actual patent document with various attributes. The attribute values at this "top" level may help processing – they may be repeated in the document as elements]

```
<wo-patent-document id="example01" file="043551.xml" country="WO" doc-  
number="043551" kind="A1" date-published="20040527" dtd-version="v1.3 2005-  
01-01" lang="en">
```

[Here starts the actual bibliographic data]

```
<bibliographic-data id="bib1" country="WO" lang="en">
```

[Plain-language designation – INID code (12) – this could be generated by a style sheet simply based on the fact that it is a "wo" document (as for INID code (19) in this case – this is the kind of information to be given when data is exchanged]

```
<plain-language-designation>INTERNATIONAL APPLICATION PUBLISHED UNDER  
THE PATENT COOPERATION TREATY (PCT)</plain-language-designation>
```


WIPO Standard ST.36 - Annex B

[Priority data – INID code (30)]

```
<priority-claims>
  <priority-claim>
    <country>GB</country>
    <doc-number>0226470.3</doc-number>
    <date>20021113</date>
  </priority-claim>
</priority-claims>
```

[Start of parties concerned with the patent - applicant – INID code (71)]

```
<parties>
  <applicants>
    <applicant sequence="1" designation="all-except-us" app-
type="applicant">
      <addressbook>
        <orgname>WORLD GOLF SYSTEMS LTD (GB)</orgname>
        <address>
          <street>Axis 4 Rhodes Way</street>
          <city>Watford</city>
          <county>Herts</county>
          <postcode>WD24 4YW</postcode>
          <country>GB</country>
        </address>
      </addressbook>
    </applicant>
  </applicants>
```

<p>(72) Inventors; and (75) Inventors/Applicants (for US only): THIRKETTLE, John, Scott [GB/GB]; The Red House, 18 Station Road, Long Marston, Hertfordshire HP23 4QS (GB). EMMERSON, Geoffrey [GB/GB]; World Golf Systems Ltd, Axis 4 Rhodes Way, Watford, Herts, WD24 4YW (GB).</p>
--

[Inventor/applicant – INID code (72) and (75)]

```
<applicant sequence="2" designation="us-only" app-
type="applicant-inventor">
  <addressbook>
    <last-name>THIRKETTLE</last-name>
    <first-name>John</first-name>
    <address>Somewhere over the rainbow</address>
  </addressbook>
</applicant>
<applicant sequence="3" designation="us-only" app-
type="applicant-inventor">
  <addressbook>
    <last-name>EMMERSON</last-name>
    <first-name>Geoffrey</first-name>
    <address>34 Ralph Waldo Pond</address>
  </addressbook>
</applicant>
</applicants>
```

(74) Agents: POWELL, Stephen, David et al.; Williams Powell, Morley House, 26-30 Holborn Viaduct, London EC1A 2BP (GB).

WIPO Standard ST.36 - Annex B

[Agent – INID code (74)]

```
<agents>
  <agent sequence="1" rep-type="agent">
    <addressbook>
      <last-name>POWELL</last-name>
      <first-name>Stephen</first-name>
      <middle-name>David</middle-name>
      <suffix>et al</suffix>
      <orgname>Williams Powell</orgname>
      <address>
        <building>Morley House</building>
        <street>35 Kings Row</street>
      </address>
    </addressbook>
  </agent>
</agents>
</parties>
```

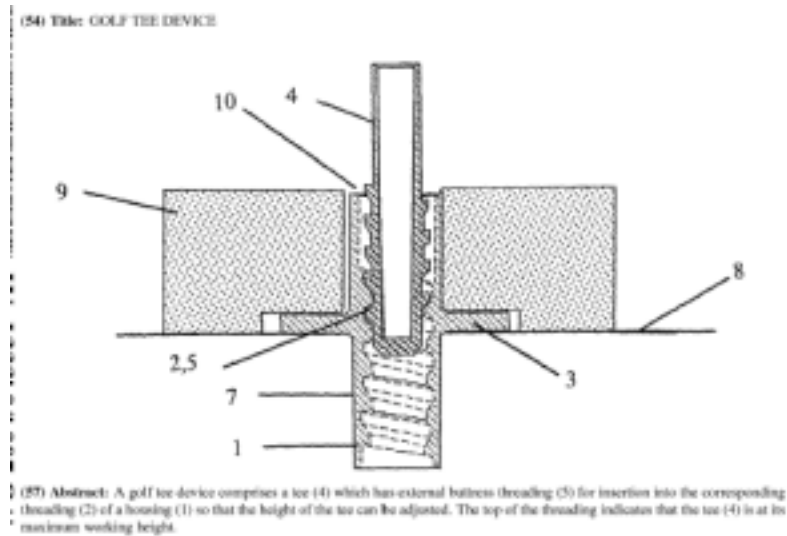
[Designated states – INID codes (81), (84)]

```
<designation-of-states>
  <designation-pct>
    <national>
      <country>AE</country>
      <country>AG</country>
    </national>
    <regional>
      <region>
        <country>AP</country>
        <country>BW</country>
        <country>GH</country>
      </region>
      <region>
        <country>EA</country>
        <country>AM</country>
        <country>AZ</country>
      </region>
    </regional>
  </designation-pct>
</designation-of-states>
```

[Invention title – INID code (54)]

```
<invention-title lang="en">GOLF TEE DEVICE
</invention-title>
</bibliographic-data>
```

[End of bibliographic data and start of abstract data – INID code (57) - the abstract drawing, taken from figures in the drawing pages (in this case Figure. 7) may be generated automatically from the referenced drawing and re-scaled for the title page but is commonly embedded as a separate, new, image file for publication processing – implementation may differ from office to office – here it is part of the abstract and the rendering process for the title page places it above the abstract]



```

<abstract id="abst" lang="en">
  <p id="p01a">A golf tee device comprises a tee (4) which has external
  buttress threading (5) for insertion into the corresponding threading (2) of
  a housing (1) so that the height of the tee can be adjusted. The top of the
  threading indicates that the tee (4) is at its maximum working height.
  <img id="abs-fig01" file="043551-abs.tif" he="71" wi="120" img-
  content="drawing" img-format="tif"/>
  </p>
</abstract>

```

[Description – note: this contains data NOT contained in the patent referenced above]

```

<description id="desc" lang="en">

```

[Invention title is repeated – it could have been taken from the bibliographic data]

```

  <invention-title lang="en">GOLF TEE DEVICE</invention-title>
  <p id="p0001" num="0001">The present invention relates to a golf tee
  device.</p>
  <p id="p0002" num="0002">Golf driving ranges are popularly used to
  practise long shots that may be used during a game of golf . . .</p>

```

[Below we illustrate various paragraph element usage]

```

  <p id="p0003" num="0003">The tees currently provided in driving ranges
  tend to be:

```

WIPO Standard ST.36 - Annex B

[ordered lists with italic text]

```
<ol>
  <li>the conventional tee as used on a golf course:
    <ol>
      <li><i>plastic</i></li>
      <li><i>wood</i></li>
      <li><i>fibre-glass, etc</i></li>
    </ol>
  </li>
  <li>fixed-height rubber tees.</li>
</ol></p>

<p id="p0004" num="0004">Conventional tees can:
```

[unordered lists with bold text]

```
<ul list-style="bullet">
  <li><b>fly</b> out of their holder when the golf ball is struck</li>
  <li><b>break</b></li>
  <li><b>be lost</b></li>
</ul></p>
```

[A heading followed by paragraphs with patent citations]

```
<heading id="h0001" level="1"><b>Other patents of
relevance</b></heading>
<p id="p0005" num="0005">
  <patcit dnum="W009937368" id="pcit0001" num="0001">
    <document-id>
      <country>WO</country>
      <doc-number>09937368</doc-number>
    </document-id>
  </patcit> discloses a height-adjustable tee. However, this tee is
located into a base . . .
</p>
<p id="p0006" num="0006">
  <patcit dnum="US6083121" id="pcit0002" num="0002">
    <document-id>
      <country>US</country>
      <doc-number>6083121</doc-number>
    </document-id>
  </patcit> discloses a height-adjustable tee based on a vertically
moveable piston within a housing. However, this tee is of a relatively complex
construction . . .
</p>
```

[A three column, three row table]

Table 1

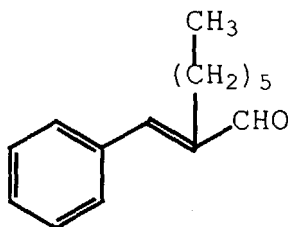
Tee type	Length (mm)	Colour
Wooden	40.4	Red
Plastic	35	Blue

```
<p id="p0007" num="0007">The following table contains relevant data:
<tables id="tab0001" num="0001">
  <table frame="all">
    <title><b>Table 1</b></title>
    <tgroup cols="3"><colspec colnum="1" colname="col1"
colwidth="2215"></colspec><colspec colnum="2" colname="col2"
```

WIPO Standard ST.36 - Annex B

```
colwidth="1907"></colspec><colspec colnum="3" colname="col3"
colwidth="1372"></colspec>
  <thead>
    <row><entry align="left" namest="col1" nameend="col1"
colsep="yes" rowsep="yes" morerows="0" valign="top"><b>Tee type</b></entry>
    <entry align="left" namest="col2" nameend="col2"
colsep="yes" rowsep="yes" morerows="0" valign="top"><b><i>Length
(mm)</i></b></entry>
    <entry align="left" namest="col3" nameend="col3"
colsep="yes" rowsep="yes" morerows="0" valign="top"><b><i>Colour</i></b>
    </entry></row></thead>
  <tbody>
    <row><entry align="left" namest="col1" nameend="col1"
colsep="yes" rowsep="yes" morerows="0" valign="top">Wooden</entry><entry
align="left" namest="col2" nameend="col2" colsep="yes" rowsep="yes"
morerows="0" valign="top">40.4</entry><entry align="left" namest="col3"
nameend="col3" colsep="yes" rowsep="yes" morerows="0"
valign="top">red</entry></row>
    <row><entry align="left" namest="col1" nameend="col1"
colsep="yes" rowsep="yes" morerows="0" valign="top">Plastic</entry><entry
align="left" namest="col2" nameend="col2" colsep="yes" rowsep="yes"
morerows="0" valign="top">35</entry><entry align="left" namest="col3"
nameend="col3" colsep="yes" rowsep="yes" morerows="0"
valign="top">blue</entry></row>
  </tbody>
</table>
</tbody>
</table>
</p>
```

[An embedded image follows of a chemical formula; this could be encoded two ways]



```
<p id="p0008" num="0008">The following formula.<br/>
  <img id="i0001" wi="48" he="31" img-content="chemistry" img-
format="tif" orientation="portrait" file="img0001.tif"/>
  <br/>can be taken as an example.
</p>
<p id="p0009" num="0009">The following formula.
  <chemistry id="chem0001" num="0001">
    <img id="i0002" wi="48" he="31" img-content="drawing" img-
format="tif" orientation="portrait" file="img0002.tif"/>
  </chemistry>can be taken as an example.
</p>
</description>
```

WIPO Standard ST.36 - Annex B

[End of the description followed by the claims]

```
<claims id="claim">
  <claim id="c0001" num="0001">
    <claim-text>A golf tee device comprising a tee member removably
supported in a holder member, wherein the tee member is movable in a
continuous manner in a substantially vertical direction relative to the
holder member, and wherein there is provided means to prevent movement
between the tee member and the holder member on striking of a golf ball
supported by the tee member.
    </claim-text>
  </claim>
  <claim id="c0002" num="0002">
    <claim-text>A device according to claim 1, wherein the means to
prevent movement prevents axial movement of the tee member relative to the
holder member.
    </claim-text>
  </claim>
  <claim id="c0003" num="0003">
    <claim-text>A device according to claim 1 or 2, wherein the tee
member is supported by means of threading provided along at least a part of
the length of the exterior of the tee member and/or at least a part of the
length of the interior of the holder member.
    </claim-text>
  </claim>
</claims>
```

[End of the claims followed by the drawings]

```
<drawings id="draw">
  <figure id="f0001" num="0001">
    <img id="i0003" wi="113" he="147" img-content="drawing" img-
format="tif" orientation="portrait" file="img0003.tif"/>
  </figure>
</drawings>
```

WIPO Standard ST.36 - Annex B

[End of the drawings followed by the search report]

INTERNATIONAL SEARCH REPORT		International Application No PCT/tB 03/04926
A. CLASSIFICATION OF SUBJECT MATTER IPC 7 A63B57/00		
According to International Patent Classification (IPC) or to both national classification and IPC		
B. FIELDS SEARCHED		
Minimum documentation searched (classification system followed by classification symbols) IPC 7 A63B		
Documentation searched other than minimum documentation to the extent that such documents are included in the fields searched		
Electronic data base consulted during the international search (name of data base and, where practical, search terms used) EPO=Internal, PAJ		

```
<search-report-data id="srep" lang="en" srep-type="isr" srep-office="EP">
  <srep-for-pub>
    <classification-ipc>
      <edition>7</edition>
      <main-classification>A63B 57/00</main-classification>
    </classification-ipc>
    <srep-fields-searched>
      <minimum-documentation>
        <classification-ipc>
          <edition>7</edition>
          <main-classification>A63B</main-classification>
        </classification-ipc>
      </minimum-documentation>
      <database-searched>
        <text>EPO internal, PAJ</text>
      </database-searched>
    </srep-fields-searched>
  </srep-for-pub>
</search-report-data>
```

WIPO Standard ST.36 - Annex B

[Citations area]

C. DOCUMENTS CONSIDERED TO BE RELEVANT		
Category *	Citation of document, with indication, where appropriate, of the relevant passages	Relevant to claim No.
X	GB 2 364 924 A (HILLAN GRAHAM CARLYLE) 13 February 2002 (2002-02-13) page 5, line 22 -page 6, line 13; figures 1-4 abstract	1-11
X	US 5 248 144 A (ULLERICH SCOTT R) 28 September 1993 (1993-09-28) column 3, line 14 - line 68; figures 1-5	1-11

```

<srep-citations>
  <citation>
    <patcit dnum="GB2364924" id="sr-pcit0001" num="0001">
      <document-id>
        <country>GB</country>
        <doc-number>2364924</doc-number>
        <kind>A</kind>
        <name>HILLAN GRAHAM CARLYLE</name>
        <date>20020213</date>
      </document-id>
      <rel-passage>
        <passage>page 5, line 22 - page 6, line 13; figures 1-
4</passage>
        <passage>abstract</passage>
      </rel-passage>
      <category>X</category>
      <rel-claims>1-11</rel-claims>
    </patcit>
  </citation>
  <citation>
    <patcit dnum="US5248144" id="sr-pcit0002" num="0002">
      <document-id>
        <country>US</country>
        <doc-number>5248144</doc-number>
        <kind>A</kind>
        <name>ULLERICH SCOTT R</name>
        <date>19930928</date>
      </document-id>
      <rel-passage>
        <passage>column 3, line 14 - line 68; figures 1-
5</passage>
      </rel-passage>
      <category>X</category>
      <rel-claims>1-11</rel-claims>
    </patcit>
  </citation>
</srep-citations>

```

WIPO Standard ST.36 - Annex B

[Administrative data]

```

<srep-admin>
  <examiners>
    <primary-examiner>
      <name>Gelschläger, H</name>
    </primary-examiner>
  </examiners>
  <srep-office>
    <addressbook>
      <orgname>European Patent Office</orgname>
      <address>
        <pobox>P.B.5818</pobox>
        <street>Patentlaan 2</street>
        <city>Rijswijk</city>
        <postcode>NL - 2280 HV</postcode>
        <country>NL</country>
      </address>
      <phone>(+31 70) 340 2040</phone>
      <fax>(+31 70) 340 3016</fax>
    </addressbook>
  </srep-office>
  <completion-date>
    <date>20040310</date>
  </completion-date>
  <date-of-mailing>
    <date>20040317</date>
  </date-of-mailing>
</srep-admin>

```

[Patent family data]

INTERNATIONAL SEARCH REPORT

Information on patent family members

Intern. Application No
PCT/EP 03/04926

Patent document cited in search report	Publication date	Patent family member(s)	Publication date
GB 2364924	A	13-02-2002	NONE
US 5248144	A	28-09-1993	NONE
US 5720677	A	24-02-1998	AU 694738 B2 30-07-1998

```

<srep-patent-family>
  <patent-family>
    <priority-application>
      <document-id>
        <country>GB</country>
        <doc-number>2364924</doc-number>
        <kind>A</kind>
        <date>20020213</date>
      </document-id>
      <text>None</text>
    </priority-application>
  </patent-family>
  <patent-family>
    <priority-application>
      <document-id>
        <country>US</country>
        <doc-number>5248144</doc-number>
        <kind>A</kind>
        <date>19930928</date>
      </document-id>
    </priority-application>
  </patent-family>
</srep-patent-family>

```

WIPO Standard ST.36 - Annex B

```
        <text>None</text>
      </priority-application>
    </patent-family>
  <patent-family>
    <priority-application>
      <document-id>
        <country>US</country>
        <doc-number>5720677</doc-number>
        <kind>A</kind>
        <date>19980224</date>
      </document-id>
    <family-member>
      <document-id>
        <country>AU</country>
        <doc-number>694738</doc-number>
        <kind>B2</kind>
        <date>19980730</date>
      </document-id>
    </family-member>
  </priority-application>
</patent-family>
</srep-patent-family>
</srep-for-pub>
</search-report-data>
</wo-patent-document>
```

[End of search report and patent markup]

Complete instance without annotations:

```
<?xml version="1.0" encoding="UTF-8"?>
<!DOCTYPE wo-patent-document SYSTEM "wo-patent-document-v1-3.dtd">
<wo-patent-document id="example01" file="043551.xml" country="WO" doc-
number="043551" kind="A1" date-published="20040527" dtd-version="v1.3 2005-01-01"
lang="en">
  <bibliographic-data id="bibl" country="WO" lang="en">
    <plain-language-designation>INTERNATIONAL APPLICATION PUBLISHED UNDER THE
PATENT COOPERATION TREATY (PCT)</plain-language-designation>
    <publication-reference>
      <document-id>
        <country>WO</country>
        <doc-number>043551</doc-number>
        <kind>A1</kind>
        <date>20040527</date>
      </document-id>
    </publication-reference>
    <classification-ipc id="ipc7">
      <edition>7</edition>
      <main-classification>A63B 57/00</main-classification>
    </classification-ipc>
    <application-reference appl-type="PCT">
      <document-id>
        <country>GB</country>
        <doc-number>004926</doc-number>
        <date>20031113</date>
      </document-id>
    </application-reference>
    <language-of-filing>en</language-of-filing>
    <language-of-publication>en</language-of-publication>
    <priority-claims>
      <priority-claim>
        <country>GB</country>
        <doc-number>0226470.3</doc-number>
        <date>20021113</date>
      </priority-claim>
    </priority-claims>
    <parties>
```

WIPO Standard ST.36 - Annex B

```
<applicants>
  <applicant sequence="1" designation="all-except-us" app-
type="applicant">
    <addressbook>
      <orgname>WORLD GOLF SYSTEMS LTD (GB)</orgname>
      <address>
        <street>Axis 4 Rhodes Way</street>
        <city>Watford</city>
        <county>Herts</county>
        <postcode>WD24 4YW</postcode>
        <country>GB</country>
      </address>
    </addressbook>
  </applicant>
inventor">
  <applicant sequence="2" designation="us-only" app-type="applicant-
inventor">
    <addressbook>
      <last-name>THIRKETTLE</last-name>
      <first-name>John</first-name>
      <address>Somewhere over the rainbow</address>
    </addressbook>
  </applicant>
inventor">
  <applicant sequence="3" designation="us-only" app-type="applicant-
inventor">
    <addressbook>
      <last-name>EMMERSON</last-name>
      <first-name>Geoffrey</first-name>
      <address>34 Ralph Waldo Pond</address>
    </addressbook>
  </applicant>
</applicants>
<agents>
  <agent sequence="1" rep-type="agent">
    <addressbook>
      <last-name>POWELL</last-name>
      <first-name>Stephen</first-name>
      <middle-name>David</middle-name>
      <suffix>et al</suffix>
      <orgname>Williams Powell</orgname>
      <address>
        <building>Morley House</building>
        <street>35 Kings Row</street>
      </address>
    </addressbook>
  </agent>
</agents>
</parties>
<designation-of-states>
  <designation-pct>
    <national>
      <country>AE</country>
      <country>AG</country>
    </national>
    <regional>
      <region>
        <country>AP</country>
        <country>BW</country>
        <country>GH</country>
      </region>
      <region>
        <country>EA</country>
        <country>AM</country>
        <country>AZ</country>
      </region>
    </regional>
  </designation-pct>
</designation-of-states>
  <invention-title lang="en">GOLF TEE DEVICE
</invention-title>
</bibliographic-data>
<abstract id="abst" lang="en">
```

WIPO Standard ST.36 - Annex B

`<p id="p01a">A golf tee device comprises a tee (4) which has external buttress threading (5) for insertion into the corresponding threading (2) of a housing (1) so that the height of the tee can be adjusted. The top of the threading indicates that the tee (4) is at its maximum working height.`

``

`</p>`

`</abstract>`

`<description id="desc" lang="en">`

`<invention-title lang="en">GOLF TEE DEVICE</invention-title>`

`<p id="p0001" num="0001">The present invention relates to a golf tee device.</p>`

`<p id="p0002" num="0002">Golf driving ranges are popularly used to practise long shots that may be used during a game of golf . . .</p>`

`<p id="p0003" num="0003">The tees currently provided in driving ranges tend to be:`

``

`the conventional tee as used on a golf course:`

``

`<i>plastic</i>`

`<i>wood</i>`

`<i>fibre-glass, etc</i>`

``

``

`fixed-height rubber tees.`

`</p>`

`<p id="p0004" num="0004">Conventional tees can:`

`<ul list-style="bullet">`

`fly out of their holder when the golf ball is struck`

`break`

`be lost`

`</p>`

`<heading id="h01" level="1">Other patents of relevance</heading>`

`<p id="p0005" num="0005">`

`<patcit dnum="WO09937368" id="pcit01" num="001">`

`<document-id>`

`<country>WO</country>`

`<doc-number>09937368</doc-number>`

`</document-id>`

`</patcit> discloses a height-adjustable tee. However, this tee is located into a base . . .`

`</p>`

`<p id="p0006" num="0006">`

`<patcit dnum="US6083121" id="pcit02" num="002">`

`<document-id>`

`<country>US</country>`

`<doc-number>6083121</doc-number>`

`</document-id>`

`</patcit> discloses a height-adjustable tee based on a vertically moveable piston within a housing. However, this tee is of a relatively complex construction . . .`

`</p>`

`<p id="p0007" num="0007">The following table contains relevant data:`

`<tables id="tab0001" num="0001">`

`<table frame="all">`

`<title>Table 1</title>`

`<tgroup cols="3"><colspec colnum="1" colname="col1"`

`colwidth="2215"></colspec><colspec colnum="2" colname="col2"`

`colwidth="1907"></colspec><colspec colnum="3" colname="col3"`

`colwidth="1372"></colspec>`

`<thead>`

`<row><entry align="left" namest="col1" nameend="col1" colsep="yes"`

`rowsep="yes" morerows="0" valign="top">Tee type</entry>`

`<entry align="left" namest="col2" nameend="col2" colsep="yes"`

`rowsep="yes" morerows="0" valign="top"><i>Length (mm)</i></entry>`

`<entry align="left" namest="col3" nameend="col3" colsep="yes"`

`rowsep="yes" morerows="0" valign="top"><i>Colour</i>`

`</entry></row></thead>`

`<tbody>`

`<row><entry align="left" namest="col1" nameend="col1" colsep="yes"`

`rowsep="yes" morerows="0" valign="top">Wooden</entry><entry align="left"`

WIPO Standard ST.36 - Annex B

```
namest="col2" nameend="col2" colsep="yes" rowsep="yes" morerows="0"
valign="top">40.4</entry><entry align="left" namest="col3" nameend="col3"
colsep="yes" rowsep="yes" morerows="0" valign="top">red</entry></row>
  <row><entry align="left" namest="col1" nameend="col1" colsep="yes"
rowsep="yes" morerows="0" valign="top">Plastic</entry><entry align="left"
namest="col2" nameend="col2" colsep="yes" rowsep="yes" morerows="0"
valign="top">35</entry><entry align="left" namest="col3" nameend="col3"
colsep="yes" rowsep="yes" morerows="0" valign="top">blue</entry></row>
  </tbody>
</tgroup>
</table>
</tables>
</p>
<p id="p0008" num="0008">The following formula.<br/>
  <img id="i0001" wi="48" he="31" img-content="chemistry" img-format="tif"
orientation="portrait" file="img0001.tif"/>
  <br/>can be taken as an example.
</p>
<p id="p0009" num="0009">The following formula.
  <chemistry id="chem0001" num="0001">
    <img id="i0002" wi="48" he="31" img-content="drawing" img-format="tif"
orientation="portrait" file="img0002.tif"/>
  </chemistry>can be taken as an example.
</p>
</description>
<claims id="claim">
  <claim id="c0001" num="0001">
    <claim-text>A golf tee device comprising a tee member removably supported
in a holder member, wherein the tee member is movable in a continuous manner in a
substantially vertical direction relative to the holder member, and wherein there
is provided means to prevent movement between the tee member and the holder member
on striking of a golf ball supported by the tee member.
    </claim-text>
  </claim>
  <claim id="c0002" num="0002">
    <claim-text>A device according to claim 1, wherein the means to prevent
movement prevents axial movement of the tee member relative to the holder member.
    </claim-text>
  </claim>
  <claim id="c0003" num="0003">
    <claim-text>A device according to claim 1 or 2, wherein the tee member is
supported by means of threading provided along at least a part of the length of the
exterior of the tee member and/or at least a part of the length of the interior of
the holder member.
    </claim-text>
  </claim>
</claims>
<drawings id="draw">
  <figure id="f0001" num="0001">
    <img id="i0003" wi="113" he="147" img-content="drawing" img-
format="tif" orientation="portrait" file="img0003.tif"/>
  </figure>
</drawings>
<search-report-data id="srep" lang="en" srep-type="ISR" srep-office="ep">
  <srep-for-pub>
    <classification-ipc>
      <edition>7</edition>
      <main-classification>A63B 57/00</main-classification>
    </classification-ipc>
    <srep-fields-searched>
      <minimum-documentation>
        <classification-ipc>
          <edition>7</edition>
          <main-classification>A63B</main-classification>
        </classification-ipc>
      </minimum-documentation>
      <database-searched>
        <text>EPO internal, PAJ</text>
      </database-searched>
    </srep-fields-searched>
  </srep-citations>
</search-report-data>
```

WIPO Standard ST.36 - Annex B

```
<citation>
  <patcit dnum="GB2364924" id="sr-pcit0001" num="0001">
    <document-id>
      <country>GB</country>
      <doc-number>2364924</doc-number>
      <kind>A</kind>
      <name>HILLAN GRAHAM CARLYLE</name>
      <date>20020213</date>
    </document-id>
    <rel-passage>
      <passage>page 5, line 22 - page 6, line 13; figures 1-
4</passage>
      <passage>abstract</passage>
    </rel-passage>
    <category>X</category>
    <rel-claims>1-11</rel-claims>
  </patcit>
</citation>
<citation>
  <patcit dnum="US5248144" id="sr-pcit0002" num="0002">
    <document-id>
      <country>US</country>
      <doc-number>5248144</doc-number>
      <kind>A</kind>
      <name>ULLERICH SCOTT R</name>
      <date>19930928</date>
    </document-id>
    <rel-passage>
      <passage>column 3, line 14 - line 68; figures 1-5</passage>
    </rel-passage>
    <category>X</category>
    <rel-claims>1-11</rel-claims>
  </patcit>
</citation>
</srep-citations>
<srep-admin>
  <examiners>
    <primary-examiner>
      <name>Gelschläger, H</name>
    </primary-examiner>
  </examiners>
  <srep-office>
    <addressbook>
      <orgname>European Patent Office</orgname>
      <address>
        <pobox>P.B.5818</pobox>
        <street>Patentlaan 2</street>
        <city>Rijswijk</city>
        <postcode>NL - 2280 HV</postcode>
        <country>NL</country>
      </address>
      <phone>(+31 70) 340 2040</phone>
      <fax>(+31 70) 340 3016</fax>
    </addressbook>
  </srep-office>
  <completion-date>
    <date>20040310</date>
  </completion-date>
  <date-of-mailing>
    <date>20040317</date>
  </date-of-mailing>
</srep-admin>
<srep-patent-family>
  <patent-family>
    <priority-application>
      <document-id>
        <country>GB</country>
        <doc-number>2364924</doc-number>
        <kind>A</kind>
        <date>20020213</date>
      </document-id>
```

WIPO Standard ST.36 - Annex B

```
        <text>None</text>
    </priority-application>
</patent-family>
<patent-family>
    <priority-application>
        <document-id>
            <country>US</country>
            <doc-number>5248144</doc-number>
            <kind>A</kind>
            <date>19930928</date>
        </document-id>
        <text>None</text>
    </priority-application>
</patent-family>
<patent-family>
    <priority-application>
        <document-id>
            <country>US</country>
            <doc-number>5720677</doc-number>
            <kind>A</kind>
            <date>19980224</date>
        </document-id>
        <family-member>
            <document-id>
                <country>AU</country>
                <doc-number>694738</doc-number>
                <kind>B2</kind>
                <date>19980730</date>
            </document-id>
        </family-member>
    </priority-application>
</patent-family>
</srep-patent-family>
</srep-for-pub>
</search-report-data>
</wo-patent-document>
```